

# PROJECT MANUAL

## TOWN OF CHESTERFIELD

### Auger Lake Dam Repair

---

Prepared for:

Town of Chesterfield  
Keeseville, NY

Prepared by:

*UPSTATE DESIGN ASSOCIATES, LLC*

RYAN M. BURNS, P.E.

PO BOX 60

Port Kent NY 12975

Tel. 518-834-9898

Fax. 518-536-9058

[upstatedesign@charter.net](mailto:upstatedesign@charter.net)

March 1, 2017

**TOWN OF CHESTERFIELD**

Augur Lake Dam Repair

March 2017

Table of Contents

Bidding and contract documents:	Section	Pages
Invitation to Bid	00010	1
Instruction to Bidders	00020	1
Contract Conditions, Description of Work	00030	3
Bid Form	00040	3
Non-Collusive Bidding Certification	00050	1
Form of Agreement	00060	2
Indemnification, Hold Harmless And Insurance Agreement	00070	1
Iran Divestment Act Certification	00080	1
Modifications to Standard Conditions	00090	1
 Attachments		
Standard Contract General Conditions	Pages 1-68	
NYS Prevailing Wage Rates	Pages 1-86	

List of Drawings: AL1, AL2, AL3, AL4, COE

SECTION 00010

INVITATION TO BID

Sealed Bids will be received at the office of the Town Clerk, Town of Chesterfield, Town Office,

1 Vine Street, Keeseville, NY 12944 until 7:00 p.m. local time on May 9, 2017 for:

**TOWN OF CHESTERFIELD  
AUGUR LAKE DAM REPAIR  
Project Location: Frontage Road, Keeseville NY 12944**

The work shall include, but is not limited to, the following:

Only materials and labor for the dam repair as shown on the contract plans.

The project consists of the following separate contracts:

Dam Repair

Project No. 2017-001

Construction shall commence no later than June 30, 2017 (pending award for the project)

Bid Opening is at 7:00PM on the Bid date. Bids will be received on a lump sum basis for the contract. Bids should be sealed in an envelope with bidder's name and address and labeled with the project name and location (above).

Bidders must attend a mandatory site meeting to be held 9:00 a.m. at the Dam Site on the 25<sup>th</sup> day of April, 2017.

There is no Bid security for the project.

Bids shall not include sales and compensating use taxes on materials incorporated into the work.

All bids received after the appointed time on the date specified shall be rejected, notwithstanding that such Bid may have been placed in a mail box or other mail receptacle regularly maintained by the United States Postal Service before such time, and ordinarily in sufficient time to have been delivered on time.

Bidding and Contract Documents may be examined at the Town Office, 1 Vine Street, Keeseville, NY 12944. One complete set of Bidding and Contract Documents may be obtained by accessing the Essex County Bids/RFP website, [www.co.essex.ny.us/bidders](http://www.co.essex.ny.us/bidders)

The Town of Chesterfield reserves the right to waive any informalities or irregularities in the Bids received, or reject any or all Bids without explanation. The Town of Chesterfield is an equal opportunity employer.

End of Section 00010

## SECTION 00020

### INSTRUCTIONS TO BIDDERS

1. EXAMINATION OF DOCUMENTS
  - 1.1 Carefully examine and be familiar with the Project Manual and Contract Drawings.
2. VISIT TO THE SITE
  - 2.1 Before submitting a Bid each Bidder will, at the Bidder's own expense, visit the Site of the Work prior to submitting bid. There will be a mandatory pre-bid meeting at the site 9:00 a.m. at the Dam Site on the 25<sup>th</sup> day of April, 2017.
  - 2.2 Become familiar with restrictions, regulations, and access requirements established by the Owner. Existing restrictions and regulations will not be considered as grounds for any additional cost over the Contract sum.
  - 2.3 Information and data shown or indicated in the Contract Documents with respect to existing Underground Facilities at or contiguous to the site is based upon information and data furnished to Owner and Engineer by owners of such Underground Facilities or others, and Owner and Engineer do not assume responsibility for the accuracy or completeness thereof.
  - 2.4 Before submitting a Bid each Bidder will, at the Bidder's own expense, make or obtain such additional or supplementary examinations, and investigations concerning conditions (surface, subsurface and Underground utilities) at or contiguous to the site which may affect cost, progress, performance or furnishing of the Work or which relate to any aspect of the means, methods, techniques, sequences or procedures of construction to be employed by Bidder and safety precautions and programs incident thereto or which Bidder deems necessary to determine its Bid for performing and furnishing the Work in accordance with the time, price and other terms and conditions of the Contract Documents.
  - 2.5 On request, Owner will provide each Bidder access to the site to conduct such examinations, and investigations necessary for submission of a Bid.

## SECTION 00030

### CONTRACT CONDITIONS

#### 1. CONTRACT WORKING TIMES AND OTHER CONDITIONS

Work may only be performed between the times of 7:00 am and 5:00 pm unless permission is expressly given by the Owner. Anticipated timeline for this project is June to September, 2017. Final project schedule to be coordinated with Town Highway Supervisor prior to commencing with construction.

1.1 Notice to bidders: The Town of Chesterfield is the owner of the 0.1 acre of land at the Dam site. The Town has a right of way to access the Dam site through a private gravel drive at the Northern end of Frontage Road and a steep access road down to the Dam site. The contractor must coordinate construction vehicle access with the Town and the private land owner. The top of the access road will be used by the Town for a material and stone stockpile area. It is anticipated that the private land owner will allow the following:

1.1-1 Laydown area for the precast stemwall units and a grass parking area for a maximum of four (4) vehicles near the private gravel drive. Damages will be repaired by the Town after project completion. This includes laydown and parking, private access drive and access road.

1.1-2 Staging area for a concrete pump truck above the dam site and at the end of the private gravel drive. Concrete delivery and or pumping will not be allowed during the summer holidays of July 1-4 and September 2-4, 2017. The Town shall clean and repair this staging area after project completion.

1.2 No Fuel Storage will be allowed at the work site or on the private property. Fueling of construction vehicles can only take place near the top of the access road. No equipment maintenance or hazardous materials shall be allowed at the Dam site or anywhere on the private property.

2. LIQUIDATED DAMAGES There are no liquidated damages for this project.

#### 3. ERRORS AND OMISSIONS

If any errors or omissions appear in the drawings, specifications, or other documents, the contractor shall, within ten (10) days after receiving the drawings, specifications and documents, or discovering such error or omission on the documents and or drawings. Notify the engineer in writing of such omissions and/or errors. If any item, material, or labor appears in either the drawings or specifications, but not in both, that item, material, or labor shall be considered by the contractor to be included in the project.

#### 4. CONTRACTOR'S GUARANTEE

The contractor(s) shall guarantee all work furnished through this contract including work performed by sub-contractors, for a period of one (1) year from the date of final acceptance of the entire project, or for particular work from the date of acceptance by the owner of that particular portion of the work. The contractor agrees to repair or replace any defective work or materials at no additional cost to the owner. Contractor shall pay for any other damages resulting from defects or repairs.

## 5. CONTRACT BONDS AND INSURANCES

There are no bonds required for this project.

The contractor shall review, and provide insurance certificates and compliance with the Town of Chesterfield Indemnification, Hold Harmless and Insurance Agreement, see section 00070.

## 6. BID SUBMISSION CONDITIONS

The submission of a Bid will constitute an incontrovertible representation by Bidder that Bidder has complied with every requirement of this Specification, that without exception the Bid is premised upon performing and furnishing the Work required by the Contract Documents and applying the specific means and methods of construction that may be shown or indicated or expressly required by the Contract Documents, that Bidder has given Engineer written notice of all conflicts, errors, ambiguities and discrepancies that Bidder has discovered in the Contract Documents and the written resolutions thereof by Engineer is acceptable to Bidder, and that the Contract Documents are generally sufficient to indicate and convey understanding of all terms and conditions for performing and furnishing the Work.

Questions about the meaning or intent of the Bidding Documents are to be directed to Engineer via letter AND email to: UPSTATE DESIGN ASSOCIATES, LLC, RYAN M. BURNS, P.E., PO BOX 60, Port Kent NY 12975 Tel. 518-834-9898, Fax. 518-536-9058, EMAIL: upstatedesign@charter.net

Interpretations or clarifications considered necessary by Engineer in response to such questions will be issued by addenda mailed or delivered to all parties recorded by the Owner as having received the Bidding Documents. Questions received less than three days prior to the date for opening of Bids may not be answered. Only questions answered by formal written Addenda will be binding. Oral and other interpretations or clarifications will be without legal effect.

## 7. PRODUCT SUBSTITUTION AND "OR EQUAL"

Wherever a trade name or the name of a specified manufacturer appears in the Contract Documents, it is included to establish a quality of construction and design only. the absence of the "or equal" clause in any instance is not meant to exclude competition. Similar products of other manufacturers which are equal in quality and design, as determined by the engineer, will be approved.

## 8. SUBCONTRACTOR REQUIREMENT

No Contractor shall be required to employ any Subcontractor, Supplier, other person or organization against whom Contractor has reasonable objection.

## 9. QUALIFICATION OF BIDDERS

The Owner may determine the ability of the bidder to perform the work and the bidder shall furnish to the owner all such information as the owner may request. The owner reserves the right to reject any bid if the bidder is not properly qualified to perform the work and execute the contract.

## 10. PREVAILING WAGE RATES

State of New York prevailing wage rates for are included in the Contract Documents and shall be applicable for this project.

## 11. CONTRACT AWARD

If the contract is awarded, it will be awarded during the period of thirty (30) calendar days after the opening of bids, to the responsible bidder meeting the requirements, and submitting the lowest bid proposal, in accordance with the conditions of the instructions to bidders. The successful bidder will be notified of the award of contract by a letter of intent from the owner sent to the bidder address. The Town of Chesterfield reserves the right to cancel or withhold the award prior to execution of a written contract.

12. EXECUTION OF CONTRACT

Upon receipt of the required insurance certificates and other documents the Owner and the Successful Bidder shall execute the Contract which shall be the Form of Agreement included in the Contract Documents.

13. BID FORM

13.1 The Bid Form is included with the Contract Documents; additional copies may be obtained from the Town Office.

13.2 All blanks on the Bid Form must be completed by printing in black ink or by typewriter. Where space has been provided, the Bid price(s) on the form must be stated in words and numerals; in case of a conflict, words will take precedence.

13.3 Bids by corporations must be executed in the corporate name by the president or a vice- president (or other corporate officer accompanied by evidence of authority to sign) and the corporate seal must be affixed and attested by the secretary. The corporate address and state of incorporation must be shown below the signature.

13.4 Bids by partnerships must be executed in the partnership name and signed by a partner, whose title must appear under the signature and the official address of the partnership must be shown below the signature.

13.5 All names must be typed or printed in black ink below the signature.

13.6 The Bid shall contain an acknowledgment of receipt of all Addenda (the numbers of which must be filled in on the Bid Form if applicable).

13.7 The address and telephone number for communications regarding the Bid must be shown.

13.8 Evidence of authority to conduct business as an out-of-state corporation in the state where the Work is to be performed shall be provided in accordance with 13.3 above. State contractor license number, if any, must also be shown.

14. SALES AND USE TAXES

Owner is exempt from New York State Sales and Use Taxes on materials and equipment to be incorporated in the Work. Said taxes shall not be included in the Contract Price.

15. RETAINAGE There is no retainage associated with this project.

16. DESCRIPTION OF WORK See contract plans sheet AL1 for the description of work.

17. TEMPORARY SANITARY FACILITIES, WASTE REMOVAL

The Contractor shall provide Temporary Sanitation Facility Units for the duration of the project. Coordinate location with the Town prior to placement, 1 unit near Dam work site area, 1 unit near top of the steep access road. The Contractor shall provide a covered waste container at the top of the steep access road used for waste and construction debris. Garbage and other waste shall be disposed of at frequent and regular intervals. During the course of construction the Dam work site and access road shall be kept clean and free of waste or construction debris. Form and scrap lumber with protruding nails, and all other debris, shall be kept cleared from work areas and roads and the private drive at all times.

# SECTION 00040 BID FORM

PROJECT IDENTIFICATION: Augur Lake Dam Repair

Project Location: Frontage Road, Keeseville NY 12944

Project No. 2017-001

A Lump Sum of:

\$

(words)

(numerals)

(write in the expected project duration after form of agreement is signed by Owner and Contractor in weeks)

Indicate Duration : \_\_\_\_\_ (weeks)

THIS BID IS SUBMITTED TO:

Town of Chesterfield

1 Vine Street, PO Box 456

Keeseville NY 12944

FROM:

\_\_\_\_\_  
Name of Bidder

\_\_\_\_\_  
Date Bid Submitted

- 1 The undersigned BIDDER proposes and agrees, if this Bid is accepted, to enter into an Agreement with the OWNER in the Project Form of Agreement to perform and furnish all Work as specified or indicated in the Contract Project Manual and Drawings for the Contract Price and within the Contract Time indicated in this Bid and in accordance with the other terms and conditions of the Contract Documents.
- 2 This Bid will remain subject to acceptance for 45 days after the day of Bid opening. BIDDER will sign and deliver the required Form of Agreement within 7 days after the date of OWNER'S Notice of Award.
- 3 In submitting this Bid, BIDDER represents, as more fully set forth in the Agreement, that the BIDDER has received, reviewed and carefully studied the Contract Drawings and any addendums.
- 4 BIDDER accepts the provisions of the Form of Agreement and the work times with completion dates stated in the Invitation to Bid.
- 5 The Town of Ausable reserves the right to waive any informalities or irregularities in the Bids received, or reject any or all Bids without explanation. The Town is an equal opportunity employer.
- 6 Bid Submission Conditions: The submission of a Bid will constitute an incontrovertible representation by Bidder that Bidder has thoroughly reviewed the Contract Project Manual and the Drawings, that without exception the Bid is premised upon performing, furnishing and delivering to the project site the Work required by the Contract Drawings and applying the specific means and methods of construction that may be shown or indicated or expressly required by the Contract Drawings, that Bidder has given Engineer written notice of all conflicts, errors, ambiguities and discrepancies that Bidder has discovered in the Contract Drawings and the written resolutions thereof by Engineer is acceptable to Bidder, and that the Contract Drawings are generally sufficient to indicate and convey understanding of all terms and conditions for performing and furnishing the Work.



7 The following Documents are attached to and made condition of the BID.

- A. Non Collusive Bidding Form.
- B. Form of Agreement (completed only by the successful bidder)

If BIDDER is an INDIVIDUAL

By: \_\_\_\_\_  
(signature)

\_\_\_\_\_  
(print or type individual's name, & title if applicable)

Doing Business As: \_\_\_\_\_

Business Address: \_\_\_\_\_

Phone Number: \_\_\_\_\_

-----  
If BIDDER is an PARTNERSHIP

\_\_\_\_\_  
(name of firm)

By: \_\_\_\_\_  
(signature of partner)

\_\_\_\_\_  
(print or type partner's name, & title if applicable)

Business Address: \_\_\_\_\_

Phone Number: \_\_\_\_\_

If BIDDER is an CORPORATION

---

(name and state of corporation)

By:

---

(signature of president, vice president)

---

(print or type name, & title)

Corporate Seal

Attest by corporate secretary

By:

---

(signature)

Business Address: \_\_\_\_\_

Phone Number: \_\_\_\_\_

END OF SECTION 00040

SECTION 00050

NON-COLLUSIVE BIDDING CERTIFICATION

By submission of this Bid, each Bidder and each person signing on behalf of any Bidder certifies as to its own organization, under penalty of perjury, that to the best of knowledge and belief:

- 1 The prices in this Bid have been arrived at independently without collusion, consultation, communication, or agreement, for the purpose of restricting competition, as to any matter relating to such prices with any other Bidder or with any competitor;
- 2 Unless otherwise required by law, the prices which have been quoted in this Bid have not been knowingly disclosed by the Bidder and will not knowingly be disclosed by the Bidder prior to the opening, directly or indirectly, to any other Bidder or to any competitor; and
- 3 No attempt has been made or will be made by the Bidder to induce any other person, partnership or corporation to submit or not to submit a Bid for the purpose of restricting competition.

---

(print or type name of Bidder)

By:

---

(signature)

(individual's name & title)

Subscribed and sworn to before me

this \_\_\_\_\_ day of \_\_\_\_\_, 20\_\_\_\_

---

(signature of Notary Public)

END OF SECTION 00050

SECTION 00060  
**FORM OF AGREEMENT**  
**BETWEEN OWNER AND CONTRACTOR FOR LUMP SUM PRICE**

THIS AGREEMENT is by and between

Town of Chesterfield

(Owner)

and

\_\_\_\_\_  
(Contractor).

Owner and Contractor, in consideration of the mutual covenants set forth herein, agree as follows:

**ARTICLE 1 -WORK**

Contractor shall complete and deliver all work as specified or indicated in contract documents listed in Article 4. The Work and project is generally described as follows:

**CONTRACT - Augur Lake Dam Repair**

**Project Location: Frontage Road, Keeseville NY 12944**

**Project No. 2017-001**

**ARTICLE 2 -CONTRACT TIMES** (write in the expected start and delivery date)

Start Date: \_\_\_\_\_ Completion Date: \_\_\_\_\_

**ARTICLE 3 -CONTRACT PRICE**

3.01 Owner shall pay the Contractor for completion and delivery of the Work in accordance with the Contract Drawings.

A Lump Sum of:

\_\_\_\_\_ \$ \_\_\_\_\_  
(words) (numerals)

**ARTICLE 4 - CONTRACT DOCUMENTS**

The Contract Drawings as prepared by the Engineer, Upstate Design Associates, LLC, Ryan M. Burns, P.E. are generally sufficient to indicate and convey understanding of all terms and conditions for performance and finishing of the Work.

The contract documents consist of the following:

Contract documents:

1. Augur Lake Dam Repair - Drawings: AL1, AL2, AL3, AL4, COE (dated December 1, 2016, and March 5, 2017)
2. Project Manual (dated March 1, 2017)

ARTICLE 5 –TOWN INSURANCE REQUIREMENTS AND INDEMNIFICATION AGREEMENT

Contractor shall review, sign and attach indemnification agreement and insurance requirements, Section 00070 to this form of agreement.

ARTICLE 6 -MISCELLANEOUS

6.01 Assignment of Contract

No assignment by a party hereto of any rights under or interests in the Contract will be binding on another party hereto without the written consent of the party sought to be bound; and, specifically but without limitation, moneys that may become due and moneys that are due may not be assigned without such consent (except to the extent that the effect of this restriction may be limited by law), and unless specifically stated to the contrary in any written consent

IN WITNESS WHEREOF, Owner and Contractor have signed this Agreement in duplicate. One counterpart each has been delivered to Owner and Contractor All portions of the Contract have been signed or identified by Owner and Contractor or on their behalf.

This Agreement will be effective on \_\_\_\_\_, \_\_\_\_\_ which is the Effective Date of the Agreement).

OWNER:

CONTRACTOR:

By: \_\_\_\_\_

By: \_\_\_\_\_

Title: \_\_\_\_\_

Title: \_\_\_\_\_

[CORPORATE SEAL]

[CORPORATE SEAL]

Attest: \_\_\_\_\_

Attest: \_\_\_\_\_

Title: \_\_\_\_\_

Title: \_\_\_\_\_

Address for giving Notices:

Address for giving Notices:

(If Owner is a corporation, attach evidence of authority to sign. If Owner is a public body, attach evidence of authority to sign and resolution or other documents authorizing execution of Owner- Contractor Agreement.)

SECTION 00070  
Town of Chesterfield  
1 Vine Street, PO Box 456  
Keeseville NY 12944

**INDEMNIFICATION, HOLD HARMLESS AND INSURANCE AGREEMENT**

**A. INDEMNIFICATION AND HOLD HARMLESS**

To the fullest extent permitted by law, \_\_\_\_\_  
\_\_\_\_\_(Contractor) Agrees to defend, indemnify and hold harmless The Town of Chesterfield, its/their officers, director, agents employees, and the Engineer from and against any and all claims, suits, liens, judgments, damages, losses and expenses including reasonable legal fees and costs arising in whole or in part and in any manner from acts, omissions, breach or default of contractor, in connection with performance of any work by contractor, its officers, directors, agents, employees and subcontractors.

**B. INSURANCE**

Contractor hereby agrees that it will obtain and keep in force, an insurance policy/policies to cover its liability hereunder and to defend and save harmless the Town of Chesterfield and the Engineer, in the minimum amount, of \$1,000,000 per occurrence for personal injury, bodily injury and property damage.

Said General liability policy shall name the following as additional insured and shall be primary to any other insurance policies: Town of Chesterfield, the Engineer, and the private land owners Greg and Diana Prescott Zais, PO Box 329, Keeseville NY 12944

Contractor hereby agrees that it will obtain and keep in force Comprehensive Business Automobile Liability Insurance with a limit of not less than \$1,000,000, each accident. Such, insurance, shall cover liability arising out of any automobile including owned, leased, hired and non- owned automobiles.

Contractor will obtain and keep in force Worker's Compensation insurance including Employees Liability to the full statutory limits.

Contractor shall furnish to the Town of Chesterfield certificates of insurance evidencing that the aforesaid, insurance coverage is in force.

CONTRACTOR \_\_\_\_\_

SIGNATURE \_\_\_\_\_

DATE \_\_\_\_\_

SECTION 00080

**CERTIFICATION OF COMPLIANCE WITH THE IRAN DIVESTMENT ACT**

As a result of the Iran Divestment Act of 2012 (the "Act"), Chapter 1 of the 2012 Laws of New York, a new provision has been added to State Finance Law (SFL) § 165-a and New York General Municipal Law § 103-g, both effective April 12, 2012. Under the Act, the Commissioner of the Office of General Services (OGS) will be developing a list of "persons" who are engaged in "investment activities in Iran" (both are defined terms in the law) (the "Prohibited Entities List"). Pursuant to SFL § 165-a(3)(b), the initial list is expected to be issued no later than 120 days after the Act's effective date at which time it will be posted on the OGS website.

By submitting a bid in response to this solicitation or by assuming the responsibility of a Contract awarded hereunder, each Bidder/Contractor, any person signing on behalf of any Bidder/Contractor and any assignee or subcontractor and, in the case of a joint bid, each party thereto, certifies, under penalty of perjury, that once the Prohibited Entities List is posted on the OGS website, that to the best of its knowledge and belief, that each Bidder/Contractor and any subcontractor or assignee is not identified on the Prohibited Entities List created pursuant to SFL § 165-a(3)(b).

Additionally, Bidder/Contractor is advised that once the Prohibited Entities List is posted on the OGS Website, any Bidder/Contractor seeking to renew or extend a Contract or assume the responsibility of a Contract awarded in response to this solicitation must certify at the time the Contract is renewed, extended or assigned that it is not included on the Prohibited Entities List.

During the term of the Contract, should the County receive information that a Bidder/Contractor is in violation of the above-referenced certification, the County will offer the person or entity an opportunity to respond. If the person or entity fails to demonstrate that he/she/it has ceased engagement in the investment which is in violation of the Act within 90 days after the determination of such violation, then the County shall take such action as may be appropriate including, but not limited to, imposing sanctions, seeking compliance, recovering damages or declaring the Bidder/Contractor in default.

The County reserves the right to reject any bid or request for assignment for a Bidder/Contractor that appears on the Prohibited Entities List prior to the award of a contract and to pursue a responsibility review with respect to any Bidder/Contractor that is awarded a contract and subsequently appears on the Prohibited Entities List.

I, \_\_\_\_\_, being duly sworn, deposes and says that he/she is the \_\_\_\_\_ of the \_\_\_\_\_ Corporation and that neither the Bidder/Contractor nor any proposed subcontractor is identified on the Prohibited Entities List.

\_\_\_\_\_  
SIGNED

SWORN to before me this \_\_\_\_\_  
day of \_\_\_\_\_, 20\_\_

\_\_\_\_\_  
Notary Public

Section 00090

MODIFICATIONS TO GENERAL CONDITIONS

Supplementary Conditions

These Supplementary Conditions amend or supplement the Standard General Conditions of the Construction Contract, EJCDC C-700 (2007 Edition). All provisions which are not so amended or supplemented remain in full force and effect.

The terms used in these Supplementary Conditions have the meanings stated in the General Conditions. Additional terms used in these Supplementary Conditions have the meanings stated below, which are applicable to both the singular and plural thereof.

The address system used in these Supplementary Conditions is the same as the address system used in the General Conditions, with the prefix "SC" added thereto.

- SC-5.01** Delete Paragraphs 5.01.A,B and C in their entirety, no performance bond is required for this project.

END OF SECTION 00090



This document has important legal consequences; consultation with an attorney is encouraged with respect to its use or modification. This document should be adapted to the particular circumstances of the contemplated Project and the controlling Laws and Regulations.

# STANDARD GENERAL CONDITIONS OF THE CONSTRUCTION CONTRACT

Prepared by

**ENGINEERS JOINT CONTRACT DOCUMENTS COMMITTEE**

and

Issued and Published Jointly by

**ACEC**

AMERICAN COUNCIL OF ENGINEERING COMPANIES



**ASCE** American Society  
of Civil Engineers

**P/E** National Society of  
Professional Engineers  
Professional Engineers in Private Practice

AMERICAN COUNCIL OF ENGINEERING COMPANIES

ASSOCIATED GENERAL CONTRACTORS OF AMERICA

AMERICAN SOCIETY OF CIVIL ENGINEERS

PROFESSIONAL ENGINEERS IN PRIVATE PRACTICE  
*A Practice Division of the*  
NATIONAL SOCIETY OF PROFESSIONAL ENGINEERS

Endorsed by



CONSTRUCTION SPECIFICATIONS INSTITUTE

Copyright © 2007 National Society of Professional Engineers  
1420 King Street, Alexandria, VA 22314-2794  
(703) 684-2882  
[www.nspe.org](http://www.nspe.org)

American Council of Engineering Companies  
1015 15th Street N.W., Washington, DC 20005  
(202) 347-7474  
[www.acec.org](http://www.acec.org)

American Society of Civil Engineers  
1801 Alexander Bell Drive, Reston, VA 20191-4400  
(800) 548-2723  
[www.asce.org](http://www.asce.org)

Associated General Contractors of America  
2300 Wilson Boulevard, Suite 400, Arlington, VA 22201-3308  
(703) 548-3118  
[www.agc.org](http://www.agc.org)

The copyright for this EJCDC document is owned jointly by the four  
EJCDC sponsoring organizations and held in trust for their benefit by NSPE.

**STANDARD GENERAL CONDITIONS OF THE  
CONSTRUCTION CONTRACT**

**TABLE OF CONTENTS**

	<b>Page</b>
Article 1 – Definitions and Terminology .....	1
1.01 Defined Terms.....	1
1.02 Terminology .....	5
Article 2 – Preliminary Matters .....	6
2.01 Delivery of Bonds and Evidence of Insurance .....	6
2.02 Copies of Documents .....	6
2.03 Commencement of Contract Times; Notice to Proceed.....	6
2.04 Starting the Work .....	7
2.05 Before Starting Construction .....	7
2.06 Preconstruction Conference; Designation of Authorized Representatives.....	7
2.07 Initial Acceptance of Schedules.....	7
Article 3 – Contract Documents: Intent, Amending, Reuse .....	8
3.01 Intent.....	8
3.02 Reference Standards.....	8
3.03 Reporting and Resolving Discrepancies.....	9
3.04 Amending and Supplementing Contract Documents.....	9
3.05 Reuse of Documents .....	10
3.06 Electronic Data.....	10
Article 4 – Availability of Lands; Subsurface and Physical Conditions; Hazardous Environmental Conditions; Reference Points.....	11
4.01 Availability of Lands.....	11
4.02 Subsurface and Physical Conditions.....	11
4.03 Differing Subsurface or Physical Conditions .....	12
4.04 Underground Facilities.....	13
4.05 Reference Points.....	14
4.06 Hazardous Environmental Condition at Site .....	14
Article 5 – Bonds and Insurance.....	16
5.01 Performance, Payment, and Other Bonds.....	16
5.02 Licensed Sureties and Insurers.....	16
5.03 Certificates of Insurance .....	17
5.04 Contractor’s Insurance .....	17
5.05 Owner’s Liability Insurance.....	19
5.06 Property Insurance.....	19
5.07 Waiver of Rights .....	20
5.08 Receipt and Application of Insurance Proceeds .....	21

5.09	Acceptance of Bonds and Insurance; Option to Replace .....	21
5.10	Partial Utilization, Acknowledgment of Property Insurer.....	22
Article 6 – Contractor’s Responsibilities .....		22
6.01	Supervision and Superintendence.....	22
6.02	Labor; Working Hours .....	22
6.03	Services, Materials, and Equipment .....	22
6.04	Progress Schedule .....	23
6.05	Substitutes and “Or-Equals” .....	23
6.06	Concerning Subcontractors, Suppliers, and Others.....	25
6.07	Patent Fees and Royalties .....	27
6.08	Permits.....	27
6.09	Laws and Regulations .....	28
6.10	Taxes .....	28
6.11	Use of Site and Other Areas.....	28
6.12	Record Documents.....	29
6.13	Safety and Protection .....	29
6.14	Safety Representative.....	30
6.15	Hazard Communication Programs.....	30
6.16	Emergencies .....	30
6.17	Shop Drawings and Samples .....	31
6.18	Continuing the Work.....	32
6.19	Contractor’s General Warranty and Guarantee .....	33
6.20	Indemnification .....	33
6.21	Delegation of Professional Design Services.....	34
Article 7 – Other Work at the Site.....		35
7.01	Related Work at Site .....	35
7.02	Coordination.....	35
7.03	Legal Relationships.....	36
Article 8 – Owner’s Responsibilities.....		36
8.01	Communications to Contractor.....	36
8.02	Replacement of Engineer .....	36
8.03	Furnish Data .....	36
8.04	Pay When Due.....	36
8.05	Lands and Easements; Reports and Tests.....	36
8.06	Insurance.....	36
8.07	Change Orders.....	37
8.08	Inspections, Tests, and Approvals .....	37
8.09	Limitations on Owner’s Responsibilities .....	37
8.10	Undisclosed Hazardous Environmental Condition .....	37
8.11	Evidence of Financial Arrangements.....	37
8.12	Compliance with Safety Program.....	37
Article 9 – Engineer’s Status During Construction.....		37
9.01	Owner’s Representative .....	37

9.02	Visits to Site .....	37
9.03	Project Representative.....	38
9.04	Authorized Variations in Work .....	38
9.05	Rejecting Defective Work.....	38
9.06	Shop Drawings, Change Orders and Payments .....	39
9.07	Determinations for Unit Price Work .....	39
9.08	Decisions on Requirements of Contract Documents and Acceptability of Work .....	39
9.09	Limitations on Engineer’s Authority and Responsibilities .....	39
9.10	Compliance with Safety Program .....	40
Article 10 – Changes in the Work; Claims .....		40
10.01	Authorized Changes in the Work .....	40
10.02	Unauthorized Changes in the Work.....	41
10.03	Execution of Change Orders.....	41
10.04	Notification to Surety.....	41
10.05	Claims.....	41
Article 11 – Cost of the Work; Allowances; Unit Price Work .....		42
11.01	Cost of the Work .....	42
11.02	Allowances .....	45
11.03	Unit Price Work .....	45
Article 12 – Change of Contract Price; Change of Contract Times .....		46
12.01	Change of Contract Price .....	46
12.02	Change of Contract Times .....	47
12.03	Delays .....	47
Article 13 – Tests and Inspections; Correction, Removal or Acceptance of Defective Work.....		48
13.01	Notice of Defects.....	48
13.02	Access to Work .....	48
13.03	Tests and Inspections .....	49
13.04	Uncovering Work.....	49
13.05	Owner May Stop the Work.....	50
13.06	Correction or Removal of Defective Work .....	50
13.07	Correction Period .....	50
13.08	Acceptance of Defective Work.....	51
13.09	Owner May Correct Defective Work .....	52
Article 14 – Payments to Contractor and Completion .....		52
14.01	Schedule of Values.....	52
14.02	Progress Payments .....	52
14.03	Contractor’s Warranty of Title.....	55
14.04	Substantial Completion.....	55
14.05	Partial Utilization .....	56
14.06	Final Inspection .....	57
14.07	Final Payment.....	57
14.08	Final Completion Delayed .....	58

14.09 Waiver of Claims .....	58
Article 15 – Suspension of Work and Termination .....	59
15.01 Owner May Suspend Work.....	59
15.02 Owner May Terminate for Cause .....	59
15.03 Owner May Terminate For Convenience .....	60
15.04 Contractor May Stop Work or Terminate.....	60
Article 16 – Dispute Resolution .....	61
16.01 Methods and Procedures .....	61
Article 17 – Miscellaneous .....	61
17.01 Giving Notice .....	61
17.02 Computation of Times .....	62
17.03 Cumulative Remedies .....	62
17.04 Survival of Obligations .....	62
17.05 Controlling Law .....	62
17.06 Headings .....	62

## ARTICLE 1 – DEFINITIONS AND TERMINOLOGY

### 1.01 *Defined Terms*

- A. Wherever used in the Bidding Requirements or Contract Documents and printed with initial capital letters, the terms listed below will have the meanings indicated which are applicable to both the singular and plural thereof. In addition to terms specifically defined, terms with initial capital letters in the Contract Documents include references to identified articles and paragraphs, and the titles of other documents or forms.
1. *Addenda*—Written or graphic instruments issued prior to the opening of Bids which clarify, correct, or change the Bidding Requirements or the proposed Contract Documents.
  2. *Agreement*—The written instrument which is evidence of the agreement between Owner and Contractor covering the Work.
  3. *Application for Payment*—The form acceptable to Engineer which is to be used by Contractor during the course of the Work in requesting progress or final payments and which is to be accompanied by such supporting documentation as is required by the Contract Documents.
  4. *Asbestos*—Any material that contains more than one percent asbestos and is friable or is releasing asbestos fibers into the air above current action levels established by the United States Occupational Safety and Health Administration.
  5. *Bid*—The offer or proposal of a Bidder submitted on the prescribed form setting forth the prices for the Work to be performed.
  6. *Bidder*—The individual or entity who submits a Bid directly to Owner.
  7. *Bidding Documents*—The Bidding Requirements and the proposed Contract Documents (including all Addenda).
  8. *Bidding Requirements*—The advertisement or invitation to bid, Instructions to Bidders, Bid security of acceptable form, if any, and the Bid Form with any supplements.
  9. *Change Order*—A document recommended by Engineer which is signed by Contractor and Owner and authorizes an addition, deletion, or revision in the Work or an adjustment in the Contract Price or the Contract Times, issued on or after the Effective Date of the Agreement.
  10. *Claim*—A demand or assertion by Owner or Contractor seeking an adjustment of Contract Price or Contract Times, or both, or other relief with respect to the terms of the Contract. A demand for money or services by a third party is not a Claim.
  11. *Contract*—The entire and integrated written agreement between the Owner and Contractor concerning the Work. The Contract supersedes prior negotiations, representations, or agreements, whether written or oral.

12. *Contract Documents*—Those items so designated in the Agreement. Only printed or hard copies of the items listed in the Agreement are Contract Documents. Approved Shop Drawings, other Contractor submittals, and the reports and drawings of subsurface and physical conditions are not Contract Documents.
13. *Contract Price*—The moneys payable by Owner to Contractor for completion of the Work in accordance with the Contract Documents as stated in the Agreement (subject to the provisions of Paragraph 11.03 in the case of Unit Price Work).
14. *Contract Times*—The number of days or the dates stated in the Agreement to: (i) achieve Milestones, if any; (ii) achieve Substantial Completion; and (iii) complete the Work so that it is ready for final payment as evidenced by Engineer's written recommendation of final payment.
15. *Contractor*—The individual or entity with whom Owner has entered into the Agreement.
16. *Cost of the Work*—See Paragraph 11.01 for definition.
17. *Drawings*—That part of the Contract Documents prepared or approved by Engineer which graphically shows the scope, extent, and character of the Work to be performed by Contractor. Shop Drawings and other Contractor submittals are not Drawings as so defined.
18. *Effective Date of the Agreement*—The date indicated in the Agreement on which it becomes effective, but if no such date is indicated, it means the date on which the Agreement is signed and delivered by the last of the two parties to sign and deliver.
19. *Engineer*—The individual or entity named as such in the Agreement.
20. *Field Order*—A written order issued by Engineer which requires minor changes in the Work but which does not involve a change in the Contract Price or the Contract Times.
21. *General Requirements*—Sections of Division 1 of the Specifications.
22. *Hazardous Environmental Condition*—The presence at the Site of Asbestos, PCBs, Petroleum, Hazardous Waste, or Radioactive Material in such quantities or circumstances that may present a substantial danger to persons or property exposed thereto.
23. *Hazardous Waste*—The term Hazardous Waste shall have the meaning provided in Section 1004 of the Solid Waste Disposal Act (42 USC Section 6903) as amended from time to time.
24. *Laws and Regulations; Laws or Regulations*—Any and all applicable laws, rules, regulations, ordinances, codes, and orders of any and all governmental bodies, agencies, authorities, and courts having jurisdiction.
25. *Liens*—Charges, security interests, or encumbrances upon Project funds, real property, or personal property.
26. *Milestone*—A principal event specified in the Contract Documents relating to an intermediate completion date or time prior to Substantial Completion of all the Work.



27. *Notice of Award*—The written notice by Owner to the Successful Bidder stating that upon timely compliance by the Successful Bidder with the conditions precedent listed therein, Owner will sign and deliver the Agreement.
28. *Notice to Proceed*—A written notice given by Owner to Contractor fixing the date on which the Contract Times will commence to run and on which Contractor shall start to perform the Work under the Contract Documents.
29. *Owner*—The individual or entity with whom Contractor has entered into the Agreement and for whom the Work is to be performed.
30. *PCBs*—Polychlorinated biphenyls.
31. *Petroleum*—Petroleum, including crude oil or any fraction thereof which is liquid at standard conditions of temperature and pressure (60 degrees Fahrenheit and 14.7 pounds per square inch absolute), such as oil, petroleum, fuel oil, oil sludge, oil refuse, gasoline, kerosene, and oil mixed with other non-Hazardous Waste and crude oils.
32. *Progress Schedule*—A schedule, prepared and maintained by Contractor, describing the sequence and duration of the activities comprising the Contractor's plan to accomplish the Work within the Contract Times.
33. *Project*—The total construction of which the Work to be performed under the Contract Documents may be the whole, or a part.
34. *Project Manual*—The bound documentary information prepared for bidding and constructing the Work. A listing of the contents of the Project Manual, which may be bound in one or more volumes, is contained in the table(s) of contents.
35. *Radioactive Material*—Source, special nuclear, or byproduct material as defined by the Atomic Energy Act of 1954 (42 USC Section 2011 et seq.) as amended from time to time.
36. *Resident Project Representative*—The authorized representative of Engineer who may be assigned to the Site or any part thereof.
37. *Samples*—Physical examples of materials, equipment, or workmanship that are representative of some portion of the Work and which establish the standards by which such portion of the Work will be judged.
38. *Schedule of Submittals*—A schedule, prepared and maintained by Contractor, of required submittals and the time requirements to support scheduled performance of related construction activities.
39. *Schedule of Values*—A schedule, prepared and maintained by Contractor, allocating portions of the Contract Price to various portions of the Work and used as the basis for reviewing Contractor's Applications for Payment.

40. *Shop Drawings*—All drawings, diagrams, illustrations, schedules, and other data or information which are specifically prepared or assembled by or for Contractor and submitted by Contractor to illustrate some portion of the Work.
41. *Site*—Lands or areas indicated in the Contract Documents as being furnished by Owner upon which the Work is to be performed, including rights-of-way and easements for access thereto, and such other lands furnished by Owner which are designated for the use of Contractor.
42. *Specifications*—That part of the Contract Documents consisting of written requirements for materials, equipment, systems, standards and workmanship as applied to the Work, and certain administrative requirements and procedural matters applicable thereto.
43. *Subcontractor*—An individual or entity having a direct contract with Contractor or with any other Subcontractor for the performance of a part of the Work at the Site.
44. *Substantial Completion*—The time at which the Work (or a specified part thereof) has progressed to the point where, in the opinion of Engineer, the Work (or a specified part thereof) is sufficiently complete, in accordance with the Contract Documents, so that the Work (or a specified part thereof) can be utilized for the purposes for which it is intended. The terms “substantially complete” and “substantially completed” as applied to all or part of the Work refer to Substantial Completion thereof.
45. *Successful Bidder*—The Bidder submitting a responsive Bid to whom Owner makes an award.
46. *Supplementary Conditions*—That part of the Contract Documents which amends or supplements these General Conditions.
47. *Supplier*—A manufacturer, fabricator, supplier, distributor, materialman, or vendor having a direct contract with Contractor or with any Subcontractor to furnish materials or equipment to be incorporated in the Work by Contractor or Subcontractor.
48. *Underground Facilities*—All underground pipelines, conduits, ducts, cables, wires, manholes, vaults, tanks, tunnels, or other such facilities or attachments, and any encasements containing such facilities, including those that convey electricity, gases, steam, liquid petroleum products, telephone or other communications, cable television, water, wastewater, storm water, other liquids or chemicals, or traffic or other control systems.
49. *Unit Price Work*—Work to be paid for on the basis of unit prices.
50. *Work*—The entire construction or the various separately identifiable parts thereof required to be provided under the Contract Documents. Work includes and is the result of performing or providing all labor, services, and documentation necessary to produce such construction, and furnishing, installing, and incorporating all materials and equipment into such construction, all as required by the Contract Documents.
51. *Work Change Directive*—A written statement to Contractor issued on or after the Effective Date of the Agreement and signed by Owner and recommended by Engineer ordering an

addition, deletion, or revision in the Work, or responding to differing or unforeseen subsurface or physical conditions under which the Work is to be performed or to emergencies. A Work Change Directive will not change the Contract Price or the Contract Times but is evidence that the parties expect that the change ordered or documented by a Work Change Directive will be incorporated in a subsequently issued Change Order following negotiations by the parties as to its effect, if any, on the Contract Price or Contract Times.

## 1.02 Terminology

A. The words and terms discussed in Paragraph 1.02.B through F are not defined but, when used in the Bidding Requirements or Contract Documents, have the indicated meaning.

### B. *Intent of Certain Terms or Adjectives:*

1. The Contract Documents include the terms “as allowed,” “as approved,” “as ordered,” “as directed” or terms of like effect or import to authorize an exercise of professional judgment by Engineer. In addition, the adjectives “reasonable,” “suitable,” “acceptable,” “proper,” “satisfactory,” or adjectives of like effect or import are used to describe an action or determination of Engineer as to the Work. It is intended that such exercise of professional judgment, action, or determination will be solely to evaluate, in general, the Work for compliance with the information in the Contract Documents and with the design concept of the Project as a functioning whole as shown or indicated in the Contract Documents (unless there is a specific statement indicating otherwise). The use of any such term or adjective is not intended to and shall not be effective to assign to Engineer any duty or authority to supervise or direct the performance of the Work, or any duty or authority to undertake responsibility contrary to the provisions of Paragraph 9.09 or any other provision of the Contract Documents.

### C. *Day:*

1. The word “day” means a calendar day of 24 hours measured from midnight to the next midnight.

### D. *Defective:*

1. The word “defective,” when modifying the word “Work,” refers to Work that is unsatisfactory, faulty, or deficient in that it:
  - a. does not conform to the Contract Documents; or
  - b. does not meet the requirements of any applicable inspection, reference standard, test, or approval referred to in the Contract Documents; or
  - c. has been damaged prior to Engineer’s recommendation of final payment (unless responsibility for the protection thereof has been assumed by Owner at Substantial Completion in accordance with Paragraph 14.04 or 14.05).

E. *Furnish, Install, Perform, Provide:*

1. The word “furnish,” when used in connection with services, materials, or equipment, shall mean to supply and deliver said services, materials, or equipment to the Site (or some other specified location) ready for use or installation and in usable or operable condition.
2. The word “install,” when used in connection with services, materials, or equipment, shall mean to put into use or place in final position said services, materials, or equipment complete and ready for intended use.
3. The words “perform” or “provide,” when used in connection with services, materials, or equipment, shall mean to furnish and install said services, materials, or equipment complete and ready for intended use.
4. When “furnish,” “install,” “perform,” or “provide” is not used in connection with services, materials, or equipment in a context clearly requiring an obligation of Contractor, “provide” is implied.

F. Unless stated otherwise in the Contract Documents, words or phrases that have a well-known technical or construction industry or trade meaning are used in the Contract Documents in accordance with such recognized meaning.

## **ARTICLE 2 – PRELIMINARY MATTERS**

### *2.01 Delivery of Bonds and Evidence of Insurance*

- A. When Contractor delivers the executed counterparts of the Agreement to Owner, Contractor shall also deliver to Owner such bonds as Contractor may be required to furnish.
- B. *Evidence of Insurance:* Before any Work at the Site is started, Contractor and Owner shall each deliver to the other, with copies to each additional insured identified in the Supplementary Conditions, certificates of insurance (and other evidence of insurance which either of them or any additional insured may reasonably request) which Contractor and Owner respectively are required to purchase and maintain in accordance with Article 5.

### *2.02 Copies of Documents*

- A. Owner shall furnish to Contractor up to ten printed or hard copies of the Drawings and Project Manual. Additional copies will be furnished upon request at the cost of reproduction.

### *2.03 Commencement of Contract Times; Notice to Proceed*

- A. The Contract Times will commence to run on the thirtieth day after the Effective Date of the Agreement or, if a Notice to Proceed is given, on the day indicated in the Notice to Proceed. A Notice to Proceed may be given at any time within 30 days after the Effective Date of the Agreement. In no event will the Contract Times commence to run later than the sixtieth day after the day of Bid opening or the thirtieth day after the Effective Date of the Agreement, whichever date is earlier.

## 2.04 *Starting the Work*

- A. Contractor shall start to perform the Work on the date when the Contract Times commence to run. No Work shall be done at the Site prior to the date on which the Contract Times commence to run.

## 2.05 *Before Starting Construction*

- A. *Preliminary Schedules:* Within 10 days after the Effective Date of the Agreement (unless otherwise specified in the General Requirements), Contractor shall submit to Engineer for timely review:
  - 1. a preliminary Progress Schedule indicating the times (numbers of days or dates) for starting and completing the various stages of the Work, including any Milestones specified in the Contract Documents;
  - 2. a preliminary Schedule of Submittals; and
  - 3. a preliminary Schedule of Values for all of the Work which includes quantities and prices of items which when added together equal the Contract Price and subdivides the Work into component parts in sufficient detail to serve as the basis for progress payments during performance of the Work. Such prices will include an appropriate amount of overhead and profit applicable to each item of Work.

## 2.06 *Preconstruction Conference; Designation of Authorized Representatives*

- A. Before any Work at the Site is started, a conference attended by Owner, Contractor, Engineer, and others as appropriate will be held to establish a working understanding among the parties as to the Work and to discuss the schedules referred to in Paragraph 2.05.A, procedures for handling Shop Drawings and other submittals, processing Applications for Payment, and maintaining required records.
- B. At this conference Owner and Contractor each shall designate, in writing, a specific individual to act as its authorized representative with respect to the services and responsibilities under the Contract. Such individuals shall have the authority to transmit instructions, receive information, render decisions relative to the Contract, and otherwise act on behalf of each respective party.

## 2.07 *Initial Acceptance of Schedules*

- A. At least 10 days before submission of the first Application for Payment a conference attended by Contractor, Engineer, and others as appropriate will be held to review for acceptability to Engineer as provided below the schedules submitted in accordance with Paragraph 2.05.A. Contractor shall have an additional 10 days to make corrections and adjustments and to complete and resubmit the schedules. No progress payment shall be made to Contractor until acceptable schedules are submitted to Engineer.
  - 1. The Progress Schedule will be acceptable to Engineer if it provides an orderly progression of the Work to completion within the Contract Times. Such acceptance will not impose on

Engineer responsibility for the Progress Schedule, for sequencing, scheduling, or progress of the Work, nor interfere with or relieve Contractor from Contractor's full responsibility therefor.

2. Contractor's Schedule of Submittals will be acceptable to Engineer if it provides a workable arrangement for reviewing and processing the required submittals.
3. Contractor's Schedule of Values will be acceptable to Engineer as to form and substance if it provides a reasonable allocation of the Contract Price to component parts of the Work.

### **ARTICLE 3 – CONTRACT DOCUMENTS: INTENT, AMENDING, REUSE**

#### **3.01 *Intent***

- A. The Contract Documents are complementary; what is required by one is as binding as if required by all.
- B. It is the intent of the Contract Documents to describe a functionally complete project (or part thereof) to be constructed in accordance with the Contract Documents. Any labor, documentation, services, materials, or equipment that reasonably may be inferred from the Contract Documents or from prevailing custom or trade usage as being required to produce the indicated result will be provided whether or not specifically called for, at no additional cost to Owner.
- C. Clarifications and interpretations of the Contract Documents shall be issued by Engineer as provided in Article 9.

#### **3.02 *Reference Standards***

- A. Standards, Specifications, Codes, Laws, and Regulations
  1. Reference to standards, specifications, manuals, or codes of any technical society, organization, or association, or to Laws or Regulations, whether such reference be specific or by implication, shall mean the standard, specification, manual, code, or Laws or Regulations in effect at the time of opening of Bids (or on the Effective Date of the Agreement if there were no Bids), except as may be otherwise specifically stated in the Contract Documents.
  2. No provision of any such standard, specification, manual, or code, or any instruction of a Supplier, shall be effective to change the duties or responsibilities of Owner, Contractor, or Engineer, or any of their subcontractors, consultants, agents, or employees, from those set forth in the Contract Documents. No such provision or instruction shall be effective to assign to Owner, Engineer, or any of their officers, directors, members, partners, employees, agents, consultants, or subcontractors, any duty or authority to supervise or direct the performance of the Work or any duty or authority to undertake responsibility inconsistent with the provisions of the Contract Documents.

### 3.03 *Reporting and Resolving Discrepancies*

#### A. *Reporting Discrepancies:*

1. *Contractor's Review of Contract Documents Before Starting Work:* Before undertaking each part of the Work, Contractor shall carefully study and compare the Contract Documents and check and verify pertinent figures therein and all applicable field measurements. Contractor shall promptly report in writing to Engineer any conflict, error, ambiguity, or discrepancy which Contractor discovers, or has actual knowledge of, and shall obtain a written interpretation or clarification from Engineer before proceeding with any Work affected thereby.
2. *Contractor's Review of Contract Documents During Performance of Work:* If, during the performance of the Work, Contractor discovers any conflict, error, ambiguity, or discrepancy within the Contract Documents, or between the Contract Documents and (a) any applicable Law or Regulation, (b) any standard, specification, manual, or code, or (c) any instruction of any Supplier, then Contractor shall promptly report it to Engineer in writing. Contractor shall not proceed with the Work affected thereby (except in an emergency as required by Paragraph 6.16.A) until an amendment or supplement to the Contract Documents has been issued by one of the methods indicated in Paragraph 3.04.
3. Contractor shall not be liable to Owner or Engineer for failure to report any conflict, error, ambiguity, or discrepancy in the Contract Documents unless Contractor had actual knowledge thereof.

#### B. *Resolving Discrepancies:*

1. Except as may be otherwise specifically stated in the Contract Documents, the provisions of the Contract Documents shall take precedence in resolving any conflict, error, ambiguity, or discrepancy between the provisions of the Contract Documents and:
  - a. the provisions of any standard, specification, manual, or code, or the instruction of any Supplier (whether or not specifically incorporated by reference in the Contract Documents); or
  - b. the provisions of any Laws or Regulations applicable to the performance of the Work (unless such an interpretation of the provisions of the Contract Documents would result in violation of such Law or Regulation).

### 3.04 *Amending and Supplementing Contract Documents*

- A. The Contract Documents may be amended to provide for additions, deletions, and revisions in the Work or to modify the terms and conditions thereof by either a Change Order or a Work Change Directive.
- B. The requirements of the Contract Documents may be supplemented, and minor variations and deviations in the Work may be authorized, by one or more of the following ways:

1. A Field Order;
2. Engineer's approval of a Shop Drawing or Sample (subject to the provisions of Paragraph 6.17.D.3); or
3. Engineer's written interpretation or clarification.

3.05 *Reuse of Documents*

- A. Contractor and any Subcontractor or Supplier shall not:
1. have or acquire any title to or ownership rights in any of the Drawings, Specifications, or other documents (or copies of any thereof) prepared by or bearing the seal of Engineer or its consultants, including electronic media editions; or
  2. reuse any such Drawings, Specifications, other documents, or copies thereof on extensions of the Project or any other project without written consent of Owner and Engineer and specific written verification or adaptation by Engineer.
- B. The prohibitions of this Paragraph 3.05 will survive final payment, or termination of the Contract. Nothing herein shall preclude Contractor from retaining copies of the Contract Documents for record purposes.

3.06 *Electronic Data*

- A. Unless otherwise stated in the Supplementary Conditions, the data furnished by Owner or Engineer to Contractor, or by Contractor to Owner or Engineer, that may be relied upon are limited to the printed copies (also known as hard copies). Files in electronic media format of text, data, graphics, or other types are furnished only for the convenience of the receiving party. Any conclusion or information obtained or derived from such electronic files will be at the user's sole risk. If there is a discrepancy between the electronic files and the hard copies, the hard copies govern.
- B. Because data stored in electronic media format can deteriorate or be modified inadvertently or otherwise without authorization of the data's creator, the party receiving electronic files agrees that it will perform acceptance tests or procedures within 60 days, after which the receiving party shall be deemed to have accepted the data thus transferred. Any errors detected within the 60-day acceptance period will be corrected by the transferring party.
- C. When transferring documents in electronic media format, the transferring party makes no representations as to long term compatibility, usability, or readability of documents resulting from the use of software application packages, operating systems, or computer hardware differing from those used by the data's creator.



**ARTICLE 4 – AVAILABILITY OF LANDS; SUBSURFACE AND PHYSICAL CONDITIONS;  
HAZARDOUS ENVIRONMENTAL CONDITIONS; REFERENCE POINTS**

4.01 *Availability of Lands*

- A. Owner shall furnish the Site. Owner shall notify Contractor of any encumbrances or restrictions not of general application but specifically related to use of the Site with which Contractor must comply in performing the Work. Owner will obtain in a timely manner and pay for easements for permanent structures or permanent changes in existing facilities. If Contractor and Owner are unable to agree on entitlement to or on the amount or extent, if any, of any adjustment in the Contract Price or Contract Times, or both, as a result of any delay in Owner's furnishing the Site or a part thereof, Contractor may make a Claim therefor as provided in Paragraph 10.05.
- B. Upon reasonable written request, Owner shall furnish Contractor with a current statement of record legal title and legal description of the lands upon which the Work is to be performed and Owner's interest therein as necessary for giving notice of or filing a mechanic's or construction lien against such lands in accordance with applicable Laws and Regulations.
- C. Contractor shall provide for all additional lands and access thereto that may be required for temporary construction facilities or storage of materials and equipment.

4.02 *Subsurface and Physical Conditions*

- A. *Reports and Drawings:* The Supplementary Conditions identify:
  - 1. those reports known to Owner of explorations and tests of subsurface conditions at or contiguous to the Site; and
  - 2. those drawings known to Owner of physical conditions relating to existing surface or subsurface structures at the Site (except Underground Facilities).
- B. *Limited Reliance by Contractor on Technical Data Authorized:* Contractor may rely upon the accuracy of the "technical data" contained in such reports and drawings, but such reports and drawings are not Contract Documents. Such "technical data" is identified in the Supplementary Conditions. Except for such reliance on such "technical data," Contractor may not rely upon or make any claim against Owner or Engineer, or any of their officers, directors, members, partners, employees, agents, consultants, or subcontractors with respect to:
  - 1. the completeness of such reports and drawings for Contractor's purposes, including, but not limited to, any aspects of the means, methods, techniques, sequences, and procedures of construction to be employed by Contractor, and safety precautions and programs incident thereto; or
  - 2. other data, interpretations, opinions, and information contained in such reports or shown or indicated in such drawings; or
  - 3. any Contractor interpretation of or conclusion drawn from any "technical data" or any such other data, interpretations, opinions, or information.

#### 4.03 *Differing Subsurface or Physical Conditions*

- A. *Notice:* If Contractor believes that any subsurface or physical condition that is uncovered or revealed either:
1. is of such a nature as to establish that any “technical data” on which Contractor is entitled to rely as provided in Paragraph 4.02 is materially inaccurate; or
  2. is of such a nature as to require a change in the Contract Documents; or
  3. differs materially from that shown or indicated in the Contract Documents; or
  4. is of an unusual nature, and differs materially from conditions ordinarily encountered and generally recognized as inherent in work of the character provided for in the Contract Documents;

then Contractor shall, promptly after becoming aware thereof and before further disturbing the subsurface or physical conditions or performing any Work in connection therewith (except in an emergency as required by Paragraph 6.16.A), notify Owner and Engineer in writing about such condition. Contractor shall not further disturb such condition or perform any Work in connection therewith (except as aforesaid) until receipt of written order to do so.

- B. *Engineer’s Review:* After receipt of written notice as required by Paragraph 4.03.A, Engineer will promptly review the pertinent condition, determine the necessity of Owner’s obtaining additional exploration or tests with respect thereto, and advise Owner in writing (with a copy to Contractor) of Engineer’s findings and conclusions.

C. *Possible Price and Times Adjustments:*

1. The Contract Price or the Contract Times, or both, will be equitably adjusted to the extent that the existence of such differing subsurface or physical condition causes an increase or decrease in Contractor’s cost of, or time required for, performance of the Work; subject, however, to the following:
  - a. such condition must meet any one or more of the categories described in Paragraph 4.03.A; and
  - b. with respect to Work that is paid for on a unit price basis, any adjustment in Contract Price will be subject to the provisions of Paragraphs 9.07 and 11.03.
2. Contractor shall not be entitled to any adjustment in the Contract Price or Contract Times if:
  - a. Contractor knew of the existence of such conditions at the time Contractor made a final commitment to Owner with respect to Contract Price and Contract Times by the submission of a Bid or becoming bound under a negotiated contract; or
  - b. the existence of such condition could reasonably have been discovered or revealed as a result of any examination, investigation, exploration, test, or study of the Site and

contiguous areas required by the Bidding Requirements or Contract Documents to be conducted by or for Contractor prior to Contractor's making such final commitment; or

- c. Contractor failed to give the written notice as required by Paragraph 4.03.A.
3. If Owner and Contractor are unable to agree on entitlement to or on the amount or extent, if any, of any adjustment in the Contract Price or Contract Times, or both, a Claim may be made therefor as provided in Paragraph 10.05. However, neither Owner or Engineer, or any of their officers, directors, members, partners, employees, agents, consultants, or subcontractors shall be liable to Contractor for any claims, costs, losses, or damages (including but not limited to all fees and charges of engineers, architects, attorneys, and other professionals and all court or arbitration or other dispute resolution costs) sustained by Contractor on or in connection with any other project or anticipated project.

#### 4.04 *Underground Facilities*

A. *Shown or Indicated:* The information and data shown or indicated in the Contract Documents with respect to existing Underground Facilities at or contiguous to the Site is based on information and data furnished to Owner or Engineer by the owners of such Underground Facilities, including Owner, or by others. Unless it is otherwise expressly provided in the Supplementary Conditions:

1. Owner and Engineer shall not be responsible for the accuracy or completeness of any such information or data provided by others; and
2. the cost of all of the following will be included in the Contract Price, and Contractor shall have full responsibility for:
  - a. reviewing and checking all such information and data;
  - b. locating all Underground Facilities shown or indicated in the Contract Documents;
  - c. coordination of the Work with the owners of such Underground Facilities, including Owner, during construction; and
  - d. the safety and protection of all such Underground Facilities and repairing any damage thereto resulting from the Work.

B. *Not Shown or Indicated:*

1. If an Underground Facility is uncovered or revealed at or contiguous to the Site which was not shown or indicated, or not shown or indicated with reasonable accuracy in the Contract Documents, Contractor shall, promptly after becoming aware thereof and before further disturbing conditions affected thereby or performing any Work in connection therewith (except in an emergency as required by Paragraph 6.16.A), identify the owner of such Underground Facility and give written notice to that owner and to Owner and Engineer. Engineer will promptly review the Underground Facility and determine the extent, if any, to which a change is required in the Contract Documents to reflect and document the

consequences of the existence or location of the Underground Facility. During such time, Contractor shall be responsible for the safety and protection of such Underground Facility.

2. If Engineer concludes that a change in the Contract Documents is required, a Work Change Directive or a Change Order will be issued to reflect and document such consequences. An equitable adjustment shall be made in the Contract Price or Contract Times, or both, to the extent that they are attributable to the existence or location of any Underground Facility that was not shown or indicated or not shown or indicated with reasonable accuracy in the Contract Documents and that Contractor did not know of and could not reasonably have been expected to be aware of or to have anticipated. If Owner and Contractor are unable to agree on entitlement to or on the amount or extent, if any, of any such adjustment in Contract Price or Contract Times, Owner or Contractor may make a Claim therefor as provided in Paragraph 10.05.

#### 4.05 *Reference Points*

- A. Owner shall provide engineering surveys to establish reference points for construction which in Engineer's judgment are necessary to enable Contractor to proceed with the Work. Contractor shall be responsible for laying out the Work, shall protect and preserve the established reference points and property monuments, and shall make no changes or relocations without the prior written approval of Owner. Contractor shall report to Engineer whenever any reference point or property monument is lost or destroyed or requires relocation because of necessary changes in grades or locations, and shall be responsible for the accurate replacement or relocation of such reference points or property monuments by professionally qualified personnel.

#### 4.06 *Hazardous Environmental Condition at Site*

- A. *Reports and Drawings:* The Supplementary Conditions identify those reports and drawings known to Owner relating to Hazardous Environmental Conditions that have been identified at the Site.
- B. *Limited Reliance by Contractor on Technical Data Authorized:* Contractor may rely upon the accuracy of the "technical data" contained in such reports and drawings, but such reports and drawings are not Contract Documents. Such "technical data" is identified in the Supplementary Conditions. Except for such reliance on such "technical data," Contractor may not rely upon or make any claim against Owner or Engineer, or any of their officers, directors, members, partners, employees, agents, consultants, or subcontractors with respect to:
  1. the completeness of such reports and drawings for Contractor's purposes, including, but not limited to, any aspects of the means, methods, techniques, sequences and procedures of construction to be employed by Contractor and safety precautions and programs incident thereto; or
  2. other data, interpretations, opinions and information contained in such reports or shown or indicated in such drawings; or
  3. any Contractor interpretation of or conclusion drawn from any "technical data" or any such other data, interpretations, opinions or information.

- C. Contractor shall not be responsible for any Hazardous Environmental Condition uncovered or revealed at the Site which was not shown or indicated in Drawings or Specifications or identified in the Contract Documents to be within the scope of the Work. Contractor shall be responsible for a Hazardous Environmental Condition created with any materials brought to the Site by Contractor, Subcontractors, Suppliers, or anyone else for whom Contractor is responsible.
- D. If Contractor encounters a Hazardous Environmental Condition or if Contractor or anyone for whom Contractor is responsible creates a Hazardous Environmental Condition, Contractor shall immediately: (i) secure or otherwise isolate such condition; (ii) stop all Work in connection with such condition and in any area affected thereby (except in an emergency as required by Paragraph 6.16.A); and (iii) notify Owner and Engineer (and promptly thereafter confirm such notice in writing). Owner shall promptly consult with Engineer concerning the necessity for Owner to retain a qualified expert to evaluate such condition or take corrective action, if any. Promptly after consulting with Engineer, Owner shall take such actions as are necessary to permit Owner to timely obtain required permits and provide Contractor the written notice required by Paragraph 4.06.E.
- E. Contractor shall not be required to resume Work in connection with such condition or in any affected area until after Owner has obtained any required permits related thereto and delivered written notice to Contractor: (i) specifying that such condition and any affected area is or has been rendered safe for the resumption of Work; or (ii) specifying any special conditions under which such Work may be resumed safely. If Owner and Contractor cannot agree as to entitlement to or on the amount or extent, if any, of any adjustment in Contract Price or Contract Times, or both, as a result of such Work stoppage or such special conditions under which Work is agreed to be resumed by Contractor, either party may make a Claim therefor as provided in Paragraph 10.05.
- F. If after receipt of such written notice Contractor does not agree to resume such Work based on a reasonable belief it is unsafe, or does not agree to resume such Work under such special conditions, then Owner may order the portion of the Work that is in the area affected by such condition to be deleted from the Work. If Owner and Contractor cannot agree as to entitlement to or on the amount or extent, if any, of an adjustment in Contract Price or Contract Times as a result of deleting such portion of the Work, then either party may make a Claim therefor as provided in Paragraph 10.05. Owner may have such deleted portion of the Work performed by Owner's own forces or others in accordance with Article 7.
- G. To the fullest extent permitted by Laws and Regulations, Owner shall indemnify and hold harmless Contractor, Subcontractors, and Engineer, and the officers, directors, members, partners, employees, agents, consultants, and subcontractors of each and any of them from and against all claims, costs, losses, and damages (including but not limited to all fees and charges of engineers, architects, attorneys, and other professionals and all court or arbitration or other dispute resolution costs) arising out of or relating to a Hazardous Environmental Condition, provided that such Hazardous Environmental Condition: (i) was not shown or indicated in the Drawings or Specifications or identified in the Contract Documents to be included within the scope of the Work, and (ii) was not created by Contractor or by anyone for whom Contractor is responsible. Nothing in this Paragraph 4.06.G shall obligate Owner to indemnify any individual or entity from and against the consequences of that individual's or entity's own negligence.

- H. To the fullest extent permitted by Laws and Regulations, Contractor shall indemnify and hold harmless Owner and Engineer, and the officers, directors, members, partners, employees, agents, consultants, and subcontractors of each and any of them from and against all claims, costs, losses, and damages (including but not limited to all fees and charges of engineers, architects, attorneys, and other professionals and all court or arbitration or other dispute resolution costs) arising out of or relating to a Hazardous Environmental Condition created by Contractor or by anyone for whom Contractor is responsible. Nothing in this Paragraph 4.06.H shall obligate Contractor to indemnify any individual or entity from and against the consequences of that individual's or entity's own negligence.
- I. The provisions of Paragraphs 4.02, 4.03, and 4.04 do not apply to a Hazardous Environmental Condition uncovered or revealed at the Site.

## **ARTICLE 5 – BONDS AND INSURANCE**

### *5.01 Performance, Payment, and Other Bonds*

- A. Contractor shall furnish performance and payment bonds, each in an amount at least equal to the Contract Price as security for the faithful performance and payment of all of Contractor's obligations under the Contract Documents. These bonds shall remain in effect until one year after the date when final payment becomes due or until completion of the correction period specified in Paragraph 13.07, whichever is later, except as provided otherwise by Laws or Regulations or by the Contract Documents. Contractor shall also furnish such other bonds as are required by the Contract Documents.
- B. All bonds shall be in the form prescribed by the Contract Documents except as provided otherwise by Laws or Regulations, and shall be executed by such sureties as are named in the list of "Companies Holding Certificates of Authority as Acceptable Sureties on Federal Bonds and as Acceptable Reinsuring Companies" as published in Circular 570 (amended) by the Financial Management Service, Surety Bond Branch, U.S. Department of the Treasury. All bonds signed by an agent or attorney-in-fact must be accompanied by a certified copy of that individual's authority to bind the surety. The evidence of authority shall show that it is effective on the date the agent or attorney-in-fact signed each bond.
- C. If the surety on any bond furnished by Contractor is declared bankrupt or becomes insolvent or its right to do business is terminated in any state where any part of the Project is located or it ceases to meet the requirements of Paragraph 5.01.B, Contractor shall promptly notify Owner and Engineer and shall, within 20 days after the event giving rise to such notification, provide another bond and surety, both of which shall comply with the requirements of Paragraphs 5.01.B and 5.02.

### *5.02 Licensed Sureties and Insurers*

- A. All bonds and insurance required by the Contract Documents to be purchased and maintained by Owner or Contractor shall be obtained from surety or insurance companies that are duly licensed or authorized in the jurisdiction in which the Project is located to issue bonds or insurance policies for the limits and coverages so required. Such surety and insurance companies shall also

meet such additional requirements and qualifications as may be provided in the Supplementary Conditions.

#### 5.03 *Certificates of Insurance*

- A. Contractor shall deliver to Owner, with copies to each additional insured and loss payee identified in the Supplementary Conditions, certificates of insurance (and other evidence of insurance requested by Owner or any other additional insured) which Contractor is required to purchase and maintain.
- B. Owner shall deliver to Contractor, with copies to each additional insured and loss payee identified in the Supplementary Conditions, certificates of insurance (and other evidence of insurance requested by Contractor or any other additional insured) which Owner is required to purchase and maintain.
- C. Failure of Owner to demand such certificates or other evidence of Contractor's full compliance with these insurance requirements or failure of Owner to identify a deficiency in compliance from the evidence provided shall not be construed as a waiver of Contractor's obligation to maintain such insurance.
- D. Owner does not represent that insurance coverage and limits established in this Contract necessarily will be adequate to protect Contractor.
- E. The insurance and insurance limits required herein shall not be deemed as a limitation on Contractor's liability under the indemnities granted to Owner in the Contract Documents.

#### 5.04 *Contractor's Insurance*

- A. Contractor shall purchase and maintain such insurance as is appropriate for the Work being performed and as will provide protection from claims set forth below which may arise out of or result from Contractor's performance of the Work and Contractor's other obligations under the Contract Documents, whether it is to be performed by Contractor, any Subcontractor or Supplier, or by anyone directly or indirectly employed by any of them to perform any of the Work, or by anyone for whose acts any of them may be liable:
  - 1. claims under workers' compensation, disability benefits, and other similar employee benefit acts;
  - 2. claims for damages because of bodily injury, occupational sickness or disease, or death of Contractor's employees;
  - 3. claims for damages because of bodily injury, sickness or disease, or death of any person other than Contractor's employees;
  - 4. claims for damages insured by reasonably available personal injury liability coverage which are sustained:

- a. by any person as a result of an offense directly or indirectly related to the employment of such person by Contractor, or
  - b. by any other person for any other reason;
5. claims for damages, other than to the Work itself, because of injury to or destruction of tangible property wherever located, including loss of use resulting therefrom; and
  6. claims for damages because of bodily injury or death of any person or property damage arising out of the ownership, maintenance or use of any motor vehicle.
- B. The policies of insurance required by this Paragraph 5.04 shall:
1. with respect to insurance required by Paragraphs 5.04.A.3 through 5.04.A.6 inclusive, be written on an occurrence basis, include as additional insureds (subject to any customary exclusion regarding professional liability) Owner and Engineer, and any other individuals or entities identified in the Supplementary Conditions, all of whom shall be listed as additional insureds, and include coverage for the respective officers, directors, members, partners, employees, agents, consultants, and subcontractors of each and any of all such additional insureds, and the insurance afforded to these additional insureds shall provide primary coverage for all claims covered thereby;
  2. include at least the specific coverages and be written for not less than the limits of liability provided in the Supplementary Conditions or required by Laws or Regulations, whichever is greater;
  3. include contractual liability insurance covering Contractor's indemnity obligations under Paragraphs 6.11 and 6.20;
  4. contain a provision or endorsement that the coverage afforded will not be canceled, materially changed or renewal refused until at least 30 days prior written notice has been given to Owner and Contractor and to each other additional insured identified in the Supplementary Conditions to whom a certificate of insurance has been issued (and the certificates of insurance furnished by the Contractor pursuant to Paragraph 5.03 will so provide);
  5. remain in effect at least until final payment and at all times thereafter when Contractor may be correcting, removing, or replacing defective Work in accordance with Paragraph 13.07; and
  6. include completed operations coverage:
    - a. Such insurance shall remain in effect for two years after final payment.
    - b. Contractor shall furnish Owner and each other additional insured identified in the Supplementary Conditions, to whom a certificate of insurance has been issued, evidence satisfactory to Owner and any such additional insured of continuation of such insurance at final payment and one year thereafter.



### 5.05 *Owner's Liability Insurance*

- A. In addition to the insurance required to be provided by Contractor under Paragraph 5.04, Owner, at Owner's option, may purchase and maintain at Owner's expense Owner's own liability insurance as will protect Owner against claims which may arise from operations under the Contract Documents.

### 5.06 *Property Insurance*

- A. Unless otherwise provided in the Supplementary Conditions, Owner shall purchase and maintain property insurance upon the Work at the Site in the amount of the full replacement cost thereof (subject to such deductible amounts as may be provided in the Supplementary Conditions or required by Laws and Regulations). This insurance shall:
1. include the interests of Owner, Contractor, Subcontractors, and Engineer, and any other individuals or entities identified in the Supplementary Conditions, and the officers, directors, members, partners, employees, agents, consultants, and subcontractors of each and any of them, each of whom is deemed to have an insurable interest and shall be listed as a loss payee;
  2. be written on a Builder's Risk "all-risk" policy form that shall at least include insurance for physical loss or damage to the Work, temporary buildings, falsework, and materials and equipment in transit, and shall insure against at least the following perils or causes of loss: fire, lightning, extended coverage, theft, vandalism and malicious mischief, earthquake, collapse, debris removal, demolition occasioned by enforcement of Laws and Regulations, water damage (other than that caused by flood), and such other perils or causes of loss as may be specifically required by the Supplementary Conditions.
  3. include expenses incurred in the repair or replacement of any insured property (including but not limited to fees and charges of engineers and architects);
  4. cover materials and equipment stored at the Site or at another location that was agreed to in writing by Owner prior to being incorporated in the Work, provided that such materials and equipment have been included in an Application for Payment recommended by Engineer;
  5. allow for partial utilization of the Work by Owner;
  6. include testing and startup; and
  7. be maintained in effect until final payment is made unless otherwise agreed to in writing by Owner, Contractor, and Engineer with 30 days written notice to each other loss payee to whom a certificate of insurance has been issued.
- B. Owner shall purchase and maintain such equipment breakdown insurance or additional property insurance as may be required by the Supplementary Conditions or Laws and Regulations which will include the interests of Owner, Contractor, Subcontractors, and Engineer, and any other individuals or entities identified in the Supplementary Conditions, and the officers, directors,

members, partners, employees, agents, consultants and subcontractors of each and any of them, each of whom is deemed to have an insurable interest and shall be listed as a loss payee.

- C. All the policies of insurance (and the certificates or other evidence thereof) required to be purchased and maintained in accordance with this Paragraph 5.06 will contain a provision or endorsement that the coverage afforded will not be canceled or materially changed or renewal refused until at least 30 days prior written notice has been given to Owner and Contractor and to each other loss payee to whom a certificate of insurance has been issued and will contain waiver provisions in accordance with Paragraph 5.07.
- D. Owner shall not be responsible for purchasing and maintaining any property insurance specified in this Paragraph 5.06 to protect the interests of Contractor, Subcontractors, or others in the Work to the extent of any deductible amounts that are identified in the Supplementary Conditions. The risk of loss within such identified deductible amount will be borne by Contractor, Subcontractors, or others suffering any such loss, and if any of them wishes property insurance coverage within the limits of such amounts, each may purchase and maintain it at the purchaser's own expense.
- E. If Contractor requests in writing that other special insurance be included in the property insurance policies provided under this Paragraph 5.06, Owner shall, if possible, include such insurance, and the cost thereof will be charged to Contractor by appropriate Change Order. Prior to commencement of the Work at the Site, Owner shall in writing advise Contractor whether or not such other insurance has been procured by Owner.

#### 5.07 *Waiver of Rights*

- A. Owner and Contractor intend that all policies purchased in accordance with Paragraph 5.06 will protect Owner, Contractor, Subcontractors, and Engineer, and all other individuals or entities identified in the Supplementary Conditions as loss payees (and the officers, directors, members, partners, employees, agents, consultants, and subcontractors of each and any of them) in such policies and will provide primary coverage for all losses and damages caused by the perils or causes of loss covered thereby. All such policies shall contain provisions to the effect that in the event of payment of any loss or damage the insurers will have no rights of recovery against any of the insureds or loss payees thereunder. Owner and Contractor waive all rights against each other and their respective officers, directors, members, partners, employees, agents, consultants and subcontractors of each and any of them for all losses and damages caused by, arising out of or resulting from any of the perils or causes of loss covered by such policies and any other property insurance applicable to the Work; and, in addition, waive all such rights against Subcontractors and Engineer, and all other individuals or entities identified in the Supplementary Conditions as loss payees (and the officers, directors, members, partners, employees, agents, consultants, and subcontractors of each and any of them) under such policies for losses and damages so caused. None of the above waivers shall extend to the rights that any party making such waiver may have to the proceeds of insurance held by Owner as trustee or otherwise payable under any policy so issued.
- B. Owner waives all rights against Contractor, Subcontractors, and Engineer, and the officers, directors, members, partners, employees, agents, consultants and subcontractors of each and any of them for:

1. loss due to business interruption, loss of use, or other consequential loss extending beyond direct physical loss or damage to Owner's property or the Work caused by, arising out of, or resulting from fire or other perils whether or not insured by Owner; and
  2. loss or damage to the completed Project or part thereof caused by, arising out of, or resulting from fire or other insured peril or cause of loss covered by any property insurance maintained on the completed Project or part thereof by Owner during partial utilization pursuant to Paragraph 14.05, after Substantial Completion pursuant to Paragraph 14.04, or after final payment pursuant to Paragraph 14.07.
- C. Any insurance policy maintained by Owner covering any loss, damage or consequential loss referred to in Paragraph 5.07.B shall contain provisions to the effect that in the event of payment of any such loss, damage, or consequential loss, the insurers will have no rights of recovery against Contractor, Subcontractors, or Engineer, and the officers, directors, members, partners, employees, agents, consultants and subcontractors of each and any of them.

#### 5.08 *Receipt and Application of Insurance Proceeds*

- A. Any insured loss under the policies of insurance required by Paragraph 5.06 will be adjusted with Owner and made payable to Owner as fiduciary for the loss payees, as their interests may appear, subject to the requirements of any applicable mortgage clause and of Paragraph 5.08.B. Owner shall deposit in a separate account any money so received and shall distribute it in accordance with such agreement as the parties in interest may reach. If no other special agreement is reached, the damaged Work shall be repaired or replaced, the moneys so received applied on account thereof, and the Work and the cost thereof covered by an appropriate Change Order.
- B. Owner as fiduciary shall have power to adjust and settle any loss with the insurers unless one of the parties in interest shall object in writing within 15 days after the occurrence of loss to Owner's exercise of this power. If such objection be made, Owner as fiduciary shall make settlement with the insurers in accordance with such agreement as the parties in interest may reach. If no such agreement among the parties in interest is reached, Owner as fiduciary shall adjust and settle the loss with the insurers and, if required in writing by any party in interest, Owner as fiduciary shall give bond for the proper performance of such duties.

#### 5.09 *Acceptance of Bonds and Insurance; Option to Replace*

- A. If either Owner or Contractor has any objection to the coverage afforded by or other provisions of the bonds or insurance required to be purchased and maintained by the other party in accordance with Article 5 on the basis of non-conformance with the Contract Documents, the objecting party shall so notify the other party in writing within 10 days after receipt of the certificates (or other evidence requested) required by Paragraph 2.01.B. Owner and Contractor shall each provide to the other such additional information in respect of insurance provided as the other may reasonably request. If either party does not purchase or maintain all of the bonds and insurance required of such party by the Contract Documents, such party shall notify the other party in writing of such failure to purchase prior to the start of the Work, or of such failure to maintain prior to any change in the required coverage. Without prejudice to any other right or remedy, the other party may elect to obtain equivalent bonds or insurance to protect such other party's

interests at the expense of the party who was required to provide such coverage, and a Change Order shall be issued to adjust the Contract Price accordingly.

5.10 *Partial Utilization, Acknowledgment of Property Insurer*

- A. If Owner finds it necessary to occupy or use a portion or portions of the Work prior to Substantial Completion of all the Work as provided in Paragraph 14.05, no such use or occupancy shall commence before the insurers providing the property insurance pursuant to Paragraph 5.06 have acknowledged notice thereof and in writing effected any changes in coverage necessitated thereby. The insurers providing the property insurance shall consent by endorsement on the policy or policies, but the property insurance shall not be canceled or permitted to lapse on account of any such partial use or occupancy.

**ARTICLE 6 – CONTRACTOR’S RESPONSIBILITIES**

6.01 *Supervision and Superintendence*

- A. Contractor shall supervise, inspect, and direct the Work competently and efficiently, devoting such attention thereto and applying such skills and expertise as may be necessary to perform the Work in accordance with the Contract Documents. Contractor shall be solely responsible for the means, methods, techniques, sequences, and procedures of construction. Contractor shall not be responsible for the negligence of Owner or Engineer in the design or specification of a specific means, method, technique, sequence, or procedure of construction which is shown or indicated in and expressly required by the Contract Documents.
- B. At all times during the progress of the Work, Contractor shall assign a competent resident superintendent who shall not be replaced without written notice to Owner and Engineer except under extraordinary circumstances.

6.02 *Labor; Working Hours*

- A. Contractor shall provide competent, suitably qualified personnel to survey and lay out the Work and perform construction as required by the Contract Documents. Contractor shall at all times maintain good discipline and order at the Site.
- B. Except as otherwise required for the safety or protection of persons or the Work or property at the Site or adjacent thereto, and except as otherwise stated in the Contract Documents, all Work at the Site shall be performed during regular working hours. Contractor will not permit the performance of Work on a Saturday, Sunday, or any legal holiday without Owner’s written consent (which will not be unreasonably withheld) given after prior written notice to Engineer.

6.03 *Services, Materials, and Equipment*

- A. Unless otherwise specified in the Contract Documents, Contractor shall provide and assume full responsibility for all services, materials, equipment, labor, transportation, construction equipment and machinery, tools, appliances, fuel, power, light, heat, telephone, water, sanitary facilities, temporary facilities, and all other facilities and incidentals necessary for the performance, testing, start-up, and completion of the Work.

- B. All materials and equipment incorporated into the Work shall be as specified or, if not specified, shall be of good quality and new, except as otherwise provided in the Contract Documents. All special warranties and guarantees required by the Specifications shall expressly run to the benefit of Owner. If required by Engineer, Contractor shall furnish satisfactory evidence (including reports of required tests) as to the source, kind, and quality of materials and equipment.
- C. All materials and equipment shall be stored, applied, installed, connected, erected, protected, used, cleaned, and conditioned in accordance with instructions of the applicable Supplier, except as otherwise may be provided in the Contract Documents.

#### 6.04 *Progress Schedule*

- A. Contractor shall adhere to the Progress Schedule established in accordance with Paragraph 2.07 as it may be adjusted from time to time as provided below.
  - 1. Contractor shall submit to Engineer for acceptance (to the extent indicated in Paragraph 2.07) proposed adjustments in the Progress Schedule that will not result in changing the Contract Times. Such adjustments will comply with any provisions of the General Requirements applicable thereto.
  - 2. Proposed adjustments in the Progress Schedule that will change the Contract Times shall be submitted in accordance with the requirements of Article 12. Adjustments in Contract Times may only be made by a Change Order.

#### 6.05 *Substitutes and "Or-Equals"*

- A. Whenever an item of material or equipment is specified or described in the Contract Documents by using the name of a proprietary item or the name of a particular Supplier, the specification or description is intended to establish the type, function, appearance, and quality required. Unless the specification or description contains or is followed by words reading that no like, equivalent, or "or-equal" item or no substitution is permitted, other items of material or equipment or material or equipment of other Suppliers may be submitted to Engineer for review under the circumstances described below.
  - 1. "*Or-Equal*" Items: If in Engineer's sole discretion an item of material or equipment proposed by Contractor is functionally equal to that named and sufficiently similar so that no change in related Work will be required, it may be considered by Engineer as an "or-equal" item, in which case review and approval of the proposed item may, in Engineer's sole discretion, be accomplished without compliance with some or all of the requirements for approval of proposed substitute items. For the purposes of this Paragraph 6.05.A.1, a proposed item of material or equipment will be considered functionally equal to an item so named if:
    - a. in the exercise of reasonable judgment Engineer determines that:
      - 1) it is at least equal in materials of construction, quality, durability, appearance, strength, and design characteristics;

- 2) it will reliably perform at least equally well the function and achieve the results imposed by the design concept of the completed Project as a functioning whole; and
  - 3) it has a proven record of performance and availability of responsive service.
- b. Contractor certifies that, if approved and incorporated into the Work:
- 1) there will be no increase in cost to the Owner or increase in Contract Times; and
  - 2) it will conform substantially to the detailed requirements of the item named in the Contract Documents.

2. *Substitute Items:*

- a. If in Engineer's sole discretion an item of material or equipment proposed by Contractor does not qualify as an "or-equal" item under Paragraph 6.05.A.1, it will be considered a proposed substitute item.
- b. Contractor shall submit sufficient information as provided below to allow Engineer to determine if the item of material or equipment proposed is essentially equivalent to that named and an acceptable substitute therefor. Requests for review of proposed substitute items of material or equipment will not be accepted by Engineer from anyone other than Contractor.
- c. The requirements for review by Engineer will be as set forth in Paragraph 6.05.A.2.d, as supplemented by the General Requirements, and as Engineer may decide is appropriate under the circumstances.
- d. Contractor shall make written application to Engineer for review of a proposed substitute item of material or equipment that Contractor seeks to furnish or use. The application:
  - 1) shall certify that the proposed substitute item will:
    - a) perform adequately the functions and achieve the results called for by the general design,
    - b) be similar in substance to that specified, and
    - c) be suited to the same use as that specified;
  - 2) will state:
    - a) the extent, if any, to which the use of the proposed substitute item will prejudice Contractor's achievement of Substantial Completion on time,
    - b) whether use of the proposed substitute item in the Work will require a change in any of the Contract Documents (or in the provisions of any other direct contract with Owner for other work on the Project) to adapt the design to the proposed substitute item, and

- c) whether incorporation or use of the proposed substitute item in connection with the Work is subject to payment of any license fee or royalty;
  - 3) will identify:
    - a) all variations of the proposed substitute item from that specified, and
    - b) available engineering, sales, maintenance, repair, and replacement services; and
  - 4) shall contain an itemized estimate of all costs or credits that will result directly or indirectly from use of such substitute item, including costs of redesign and claims of other contractors affected by any resulting change.
- B. *Substitute Construction Methods or Procedures:* If a specific means, method, technique, sequence, or procedure of construction is expressly required by the Contract Documents, Contractor may furnish or utilize a substitute means, method, technique, sequence, or procedure of construction approved by Engineer. Contractor shall submit sufficient information to allow Engineer, in Engineer's sole discretion, to determine that the substitute proposed is equivalent to that expressly called for by the Contract Documents. The requirements for review by Engineer will be similar to those provided in Paragraph 6.05.A.2.
- C. *Engineer's Evaluation:* Engineer will be allowed a reasonable time within which to evaluate each proposal or submittal made pursuant to Paragraphs 6.05.A and 6.05.B. Engineer may require Contractor to furnish additional data about the proposed substitute item. Engineer will be the sole judge of acceptability. No "or equal" or substitute will be ordered, installed or utilized until Engineer's review is complete, which will be evidenced by a Change Order in the case of a substitute and an approved Shop Drawing for an "or equal." Engineer will advise Contractor in writing of any negative determination.
- D. *Special Guarantee:* Owner may require Contractor to furnish at Contractor's expense a special performance guarantee or other surety with respect to any substitute.
- E. *Engineer's Cost Reimbursement:* Engineer will record Engineer's costs in evaluating a substitute proposed or submitted by Contractor pursuant to Paragraphs 6.05.A.2 and 6.05.B. Whether or not Engineer approves a substitute so proposed or submitted by Contractor, Contractor shall reimburse Owner for the reasonable charges of Engineer for evaluating each such proposed substitute. Contractor shall also reimburse Owner for the reasonable charges of Engineer for making changes in the Contract Documents (or in the provisions of any other direct contract with Owner) resulting from the acceptance of each proposed substitute.
- F. *Contractor's Expense:* Contractor shall provide all data in support of any proposed substitute or "or-equal" at Contractor's expense.

#### 6.06 *Concerning Subcontractors, Suppliers, and Others*

- A. Contractor shall not employ any Subcontractor, Supplier, or other individual or entity (including those acceptable to Owner as indicated in Paragraph 6.06.B), whether initially or as a replacement, against whom Owner may have reasonable objection. Contractor shall not be

required to employ any Subcontractor, Supplier, or other individual or entity to furnish or perform any of the Work against whom Contractor has reasonable objection.

- B. If the Supplementary Conditions require the identity of certain Subcontractors, Suppliers, or other individuals or entities to be submitted to Owner in advance for acceptance by Owner by a specified date prior to the Effective Date of the Agreement, and if Contractor has submitted a list thereof in accordance with the Supplementary Conditions, Owner's acceptance (either in writing or by failing to make written objection thereto by the date indicated for acceptance or objection in the Bidding Documents or the Contract Documents) of any such Subcontractor, Supplier, or other individual or entity so identified may be revoked on the basis of reasonable objection after due investigation. Contractor shall submit an acceptable replacement for the rejected Subcontractor, Supplier, or other individual or entity, and the Contract Price will be adjusted by the difference in the cost occasioned by such replacement, and an appropriate Change Order will be issued. No acceptance by Owner of any such Subcontractor, Supplier, or other individual or entity, whether initially or as a replacement, shall constitute a waiver of any right of Owner or Engineer to reject defective Work.
- C. Contractor shall be fully responsible to Owner and Engineer for all acts and omissions of the Subcontractors, Suppliers, and other individuals or entities performing or furnishing any of the Work just as Contractor is responsible for Contractor's own acts and omissions. Nothing in the Contract Documents:
1. shall create for the benefit of any such Subcontractor, Supplier, or other individual or entity any contractual relationship between Owner or Engineer and any such Subcontractor, Supplier or other individual or entity; nor
  2. shall create any obligation on the part of Owner or Engineer to pay or to see to the payment of any moneys due any such Subcontractor, Supplier, or other individual or entity except as may otherwise be required by Laws and Regulations.
- D. Contractor shall be solely responsible for scheduling and coordinating the Work of Subcontractors, Suppliers, and other individuals or entities performing or furnishing any of the Work under a direct or indirect contract with Contractor.
- E. Contractor shall require all Subcontractors, Suppliers, and such other individuals or entities performing or furnishing any of the Work to communicate with Engineer through Contractor.
- F. The divisions and sections of the Specifications and the identifications of any Drawings shall not control Contractor in dividing the Work among Subcontractors or Suppliers or delineating the Work to be performed by any specific trade.
- G. All Work performed for Contractor by a Subcontractor or Supplier will be pursuant to an appropriate agreement between Contractor and the Subcontractor or Supplier which specifically binds the Subcontractor or Supplier to the applicable terms and conditions of the Contract Documents for the benefit of Owner and Engineer. Whenever any such agreement is with a Subcontractor or Supplier who is listed as a loss payee on the property insurance provided in Paragraph 5.06, the agreement between the Contractor and the Subcontractor or Supplier will contain provisions whereby the Subcontractor or Supplier waives all rights against Owner,



Contractor, Engineer, and all other individuals or entities identified in the Supplementary Conditions to be listed as insureds or loss payees (and the officers, directors, members, partners, employees, agents, consultants, and subcontractors of each and any of them) for all losses and damages caused by, arising out of, relating to, or resulting from any of the perils or causes of loss covered by such policies and any other property insurance applicable to the Work. If the insurers on any such policies require separate waiver forms to be signed by any Subcontractor or Supplier, Contractor will obtain the same.

#### 6.07 *Patent Fees and Royalties*

- A. Contractor shall pay all license fees and royalties and assume all costs incident to the use in the performance of the Work or the incorporation in the Work of any invention, design, process, product, or device which is the subject of patent rights or copyrights held by others. If a particular invention, design, process, product, or device is specified in the Contract Documents for use in the performance of the Work and if, to the actual knowledge of Owner or Engineer, its use is subject to patent rights or copyrights calling for the payment of any license fee or royalty to others, the existence of such rights shall be disclosed by Owner in the Contract Documents.
- B. To the fullest extent permitted by Laws and Regulations, Owner shall indemnify and hold harmless Contractor, and its officers, directors, members, partners, employees, agents, consultants, and subcontractors from and against all claims, costs, losses, and damages (including but not limited to all fees and charges of engineers, architects, attorneys, and other professionals, and all court or arbitration or other dispute resolution costs) arising out of or relating to any infringement of patent rights or copyrights incident to the use in the performance of the Work or resulting from the incorporation in the Work of any invention, design, process, product, or device specified in the Contract Documents, but not identified as being subject to payment of any license fee or royalty to others required by patent rights or copyrights.
- C. To the fullest extent permitted by Laws and Regulations, Contractor shall indemnify and hold harmless Owner and Engineer, and the officers, directors, members, partners, employees, agents, consultants and subcontractors of each and any of them from and against all claims, costs, losses, and damages (including but not limited to all fees and charges of engineers, architects, attorneys, and other professionals and all court or arbitration or other dispute resolution costs) arising out of or relating to any infringement of patent rights or copyrights incident to the use in the performance of the Work or resulting from the incorporation in the Work of any invention, design, process, product, or device not specified in the Contract Documents.

#### 6.08 *Permits*

- A. Unless otherwise provided in the Supplementary Conditions, Contractor shall obtain and pay for all construction permits and licenses. Owner shall assist Contractor, when necessary, in obtaining such permits and licenses. Contractor shall pay all governmental charges and inspection fees necessary for the prosecution of the Work which are applicable at the time of opening of Bids, or, if there are no Bids, on the Effective Date of the Agreement. Owner shall pay all charges of utility owners for connections for providing permanent service to the Work.

## 6.09 *Laws and Regulations*

- A. Contractor shall give all notices required by and shall comply with all Laws and Regulations applicable to the performance of the Work. Except where otherwise expressly required by applicable Laws and Regulations, neither Owner nor Engineer shall be responsible for monitoring Contractor's compliance with any Laws or Regulations.
- B. If Contractor performs any Work knowing or having reason to know that it is contrary to Laws or Regulations, Contractor shall bear all claims, costs, losses, and damages (including but not limited to all fees and charges of engineers, architects, attorneys, and other professionals and all court or arbitration or other dispute resolution costs) arising out of or relating to such Work. However, it shall not be Contractor's responsibility to make certain that the Specifications and Drawings are in accordance with Laws and Regulations, but this shall not relieve Contractor of Contractor's obligations under Paragraph 3.03.
- C. Changes in Laws or Regulations not known at the time of opening of Bids (or, on the Effective Date of the Agreement if there were no Bids) having an effect on the cost or time of performance of the Work shall be the subject of an adjustment in Contract Price or Contract Times. If Owner and Contractor are unable to agree on entitlement to or on the amount or extent, if any, of any such adjustment, a Claim may be made therefor as provided in Paragraph 10.05.

## 6.10 *Taxes*

- A. Contractor shall pay all sales, consumer, use, and other similar taxes required to be paid by Contractor in accordance with the Laws and Regulations of the place of the Project which are applicable during the performance of the Work.

## 6.11 *Use of Site and Other Areas*

### A. *Limitation on Use of Site and Other Areas:*

1. Contractor shall confine construction equipment, the storage of materials and equipment, and the operations of workers to the Site and other areas permitted by Laws and Regulations, and shall not unreasonably encumber the Site and other areas with construction equipment or other materials or equipment. Contractor shall assume full responsibility for any damage to any such land or area, or to the owner or occupant thereof, or of any adjacent land or areas resulting from the performance of the Work.
2. Should any claim be made by any such owner or occupant because of the performance of the Work, Contractor shall promptly settle with such other party by negotiation or otherwise resolve the claim by arbitration or other dispute resolution proceeding or at law.
3. To the fullest extent permitted by Laws and Regulations, Contractor shall indemnify and hold harmless Owner and Engineer, and the officers, directors, members, partners, employees, agents, consultants and subcontractors of each and any of them from and against all claims, costs, losses, and damages (including but not limited to all fees and charges of engineers, architects, attorneys, and other professionals and all court or arbitration or other dispute resolution costs) arising out of or relating to any claim or action, legal or equitable, brought

by any such owner or occupant against Owner, Engineer, or any other party indemnified hereunder to the extent caused by or based upon Contractor's performance of the Work.

- B. *Removal of Debris During Performance of the Work:* During the progress of the Work Contractor shall keep the Site and other areas free from accumulations of waste materials, rubbish, and other debris. Removal and disposal of such waste materials, rubbish, and other debris shall conform to applicable Laws and Regulations.
- C. *Cleaning:* Prior to Substantial Completion of the Work Contractor shall clean the Site and the Work and make it ready for utilization by Owner. At the completion of the Work Contractor shall remove from the Site all tools, appliances, construction equipment and machinery, and surplus materials and shall restore to original condition all property not designated for alteration by the Contract Documents.
- D. *Loading Structures:* Contractor shall not load nor permit any part of any structure to be loaded in any manner that will endanger the structure, nor shall Contractor subject any part of the Work or adjacent property to stresses or pressures that will endanger it.

#### 6.12 *Record Documents*

- A. Contractor shall maintain in a safe place at the Site one record copy of all Drawings, Specifications, Addenda, Change Orders, Work Change Directives, Field Orders, and written interpretations and clarifications in good order and annotated to show changes made during construction. These record documents together with all approved Samples and a counterpart of all approved Shop Drawings will be available to Engineer for reference. Upon completion of the Work, these record documents, Samples, and Shop Drawings will be delivered to Engineer for Owner.

#### 6.13 *Safety and Protection*

- A. Contractor shall be solely responsible for initiating, maintaining and supervising all safety precautions and programs in connection with the Work. Such responsibility does not relieve Subcontractors of their responsibility for the safety of persons or property in the performance of their work, nor for compliance with applicable safety Laws and Regulations. Contractor shall take all necessary precautions for the safety of, and shall provide the necessary protection to prevent damage, injury or loss to:
  - 1. all persons on the Site or who may be affected by the Work;
  - 2. all the Work and materials and equipment to be incorporated therein, whether in storage on or off the Site; and
  - 3. other property at the Site or adjacent thereto, including trees, shrubs, lawns, walks, pavements, roadways, structures, utilities, and Underground Facilities not designated for removal, relocation, or replacement in the course of construction.
- B. Contractor shall comply with all applicable Laws and Regulations relating to the safety of persons or property, or to the protection of persons or property from damage, injury, or loss; and

shall erect and maintain all necessary safeguards for such safety and protection. Contractor shall notify owners of adjacent property and of Underground Facilities and other utility owners when prosecution of the Work may affect them, and shall cooperate with them in the protection, removal, relocation, and replacement of their property.

- C. Contractor shall comply with the applicable requirements of Owner's safety programs, if any. The Supplementary Conditions identify any Owner's safety programs that are applicable to the Work.
- D. Contractor shall inform Owner and Engineer of the specific requirements of Contractor's safety program with which Owner's and Engineer's employees and representatives must comply while at the Site.
- E. All damage, injury, or loss to any property referred to in Paragraph 6.13.A.2 or 6.13.A.3 caused, directly or indirectly, in whole or in part, by Contractor, any Subcontractor, Supplier, or any other individual or entity directly or indirectly employed by any of them to perform any of the Work, or anyone for whose acts any of them may be liable, shall be remedied by Contractor (except damage or loss attributable to the fault of Drawings or Specifications or to the acts or omissions of Owner or Engineer or anyone employed by any of them, or anyone for whose acts any of them may be liable, and not attributable, directly or indirectly, in whole or in part, to the fault or negligence of Contractor or any Subcontractor, Supplier, or other individual or entity directly or indirectly employed by any of them).
- F. Contractor's duties and responsibilities for safety and for protection of the Work shall continue until such time as all the Work is completed and Engineer has issued a notice to Owner and Contractor in accordance with Paragraph 14.07.B that the Work is acceptable (except as otherwise expressly provided in connection with Substantial Completion).

#### 6.14 *Safety Representative*

- A. Contractor shall designate a qualified and experienced safety representative at the Site whose duties and responsibilities shall be the prevention of accidents and the maintaining and supervising of safety precautions and programs.

#### 6.15 *Hazard Communication Programs*

- A. Contractor shall be responsible for coordinating any exchange of material safety data sheets or other hazard communication information required to be made available to or exchanged between or among employers at the Site in accordance with Laws or Regulations.

#### 6.16 *Emergencies*

- A. In emergencies affecting the safety or protection of persons or the Work or property at the Site or adjacent thereto, Contractor is obligated to act to prevent threatened damage, injury, or loss. Contractor shall give Engineer prompt written notice if Contractor believes that any significant changes in the Work or variations from the Contract Documents have been caused thereby or are required as a result thereof. If Engineer determines that a change in the Contract Documents is

required because of the action taken by Contractor in response to such an emergency, a Work Change Directive or Change Order will be issued.

#### 6.17 *Shop Drawings and Samples*

A. Contractor shall submit Shop Drawings and Samples to Engineer for review and approval in accordance with the accepted Schedule of Submittals (as required by Paragraph 2.07). Each submittal will be identified as Engineer may require.

##### 1. *Shop Drawings:*

- a. Submit number of copies specified in the General Requirements.
- b. Data shown on the Shop Drawings will be complete with respect to quantities, dimensions, specified performance and design criteria, materials, and similar data to show Engineer the services, materials, and equipment Contractor proposes to provide and to enable Engineer to review the information for the limited purposes required by Paragraph 6.17.D.

##### 2. *Samples:*

- a. Submit number of Samples specified in the Specifications.
- b. Clearly identify each Sample as to material, Supplier, pertinent data such as catalog numbers, the use for which intended and other data as Engineer may require to enable Engineer to review the submittal for the limited purposes required by Paragraph 6.17.D.

B. Where a Shop Drawing or Sample is required by the Contract Documents or the Schedule of Submittals, any related Work performed prior to Engineer's review and approval of the pertinent submittal will be at the sole expense and responsibility of Contractor.

##### C. *Submittal Procedures:*

1. Before submitting each Shop Drawing or Sample, Contractor shall have:

- a. reviewed and coordinated each Shop Drawing or Sample with other Shop Drawings and Samples and with the requirements of the Work and the Contract Documents;
- b. determined and verified all field measurements, quantities, dimensions, specified performance and design criteria, installation requirements, materials, catalog numbers, and similar information with respect thereto;
- c. determined and verified the suitability of all materials offered with respect to the indicated application, fabrication, shipping, handling, storage, assembly, and installation pertaining to the performance of the Work; and
- d. determined and verified all information relative to Contractor's responsibilities for means, methods, techniques, sequences, and procedures of construction, and safety precautions and programs incident thereto.

2. Each submittal shall bear a stamp or specific written certification that Contractor has satisfied Contractor's obligations under the Contract Documents with respect to Contractor's review and approval of that submittal.
3. With each submittal, Contractor shall give Engineer specific written notice of any variations that the Shop Drawing or Sample may have from the requirements of the Contract Documents. This notice shall be both a written communication separate from the Shop Drawings or Sample submittal; and, in addition, by a specific notation made on each Shop Drawing or Sample submitted to Engineer for review and approval of each such variation.

D. *Engineer's Review:*

1. Engineer will provide timely review of Shop Drawings and Samples in accordance with the Schedule of Submittals acceptable to Engineer. Engineer's review and approval will be only to determine if the items covered by the submittals will, after installation or incorporation in the Work, conform to the information given in the Contract Documents and be compatible with the design concept of the completed Project as a functioning whole as indicated by the Contract Documents.
2. Engineer's review and approval will not extend to means, methods, techniques, sequences, or procedures of construction (except where a particular means, method, technique, sequence, or procedure of construction is specifically and expressly called for by the Contract Documents) or to safety precautions or programs incident thereto. The review and approval of a separate item as such will not indicate approval of the assembly in which the item functions.
3. Engineer's review and approval shall not relieve Contractor from responsibility for any variation from the requirements of the Contract Documents unless Contractor has complied with the requirements of Paragraph 6.17.C.3 and Engineer has given written approval of each such variation by specific written notation thereof incorporated in or accompanying the Shop Drawing or Sample. Engineer's review and approval shall not relieve Contractor from responsibility for complying with the requirements of Paragraph 6.17.C.1.

E. *Resubmittal Procedures:*

1. Contractor shall make corrections required by Engineer and shall return the required number of corrected copies of Shop Drawings and submit, as required, new Samples for review and approval. Contractor shall direct specific attention in writing to revisions other than the corrections called for by Engineer on previous submittals.

6.18 *Continuing the Work*

- A. Contractor shall carry on the Work and adhere to the Progress Schedule during all disputes or disagreements with Owner. No Work shall be delayed or postponed pending resolution of any disputes or disagreements, except as permitted by Paragraph 15.04 or as Owner and Contractor may otherwise agree in writing.

## 6.19 *Contractor's General Warranty and Guarantee*

- A. Contractor warrants and guarantees to Owner that all Work will be in accordance with the Contract Documents and will not be defective. Engineer and its officers, directors, members, partners, employees, agents, consultants, and subcontractors shall be entitled to rely on representation of Contractor's warranty and guarantee.
- B. Contractor's warranty and guarantee hereunder excludes defects or damage caused by:
  - 1. abuse, modification, or improper maintenance or operation by persons other than Contractor, Subcontractors, Suppliers, or any other individual or entity for whom Contractor is responsible; or
  - 2. normal wear and tear under normal usage.
- C. Contractor's obligation to perform and complete the Work in accordance with the Contract Documents shall be absolute. None of the following will constitute an acceptance of Work that is not in accordance with the Contract Documents or a release of Contractor's obligation to perform the Work in accordance with the Contract Documents:
  - 1. observations by Engineer;
  - 2. recommendation by Engineer or payment by Owner of any progress or final payment;
  - 3. the issuance of a certificate of Substantial Completion by Engineer or any payment related thereto by Owner;
  - 4. use or occupancy of the Work or any part thereof by Owner;
  - 5. any review and approval of a Shop Drawing or Sample submittal or the issuance of a notice of acceptability by Engineer;
  - 6. any inspection, test, or approval by others; or
  - 7. any correction of defective Work by Owner.

## 6.20 *Indemnification*

- A. To the fullest extent permitted by Laws and Regulations, Contractor shall indemnify and hold harmless Owner and Engineer, and the officers, directors, members, partners, employees, agents, consultants and subcontractors of each and any of them from and against all claims, costs, losses, and damages (including but not limited to all fees and charges of engineers, architects, attorneys, and other professionals and all court or arbitration or other dispute resolution costs) arising out of or relating to the performance of the Work, provided that any such claim, cost, loss, or damage is attributable to bodily injury, sickness, disease, or death, or to injury to or destruction of tangible property (other than the Work itself), including the loss of use resulting therefrom but only to the extent caused by any negligent act or omission of Contractor, any Subcontractor, any Supplier, or any individual or entity directly or indirectly employed by any of them to perform any of the Work or anyone for whose acts any of them may be liable .

- B. In any and all claims against Owner or Engineer or any of their officers, directors, members, partners, employees, agents, consultants, or subcontractors by any employee (or the survivor or personal representative of such employee) of Contractor, any Subcontractor, any Supplier, or any individual or entity directly or indirectly employed by any of them to perform any of the Work, or anyone for whose acts any of them may be liable, the indemnification obligation under Paragraph 6.20.A shall not be limited in any way by any limitation on the amount or type of damages, compensation, or benefits payable by or for Contractor or any such Subcontractor, Supplier, or other individual or entity under workers' compensation acts, disability benefit acts, or other employee benefit acts.
- C. The indemnification obligations of Contractor under Paragraph 6.20.A shall not extend to the liability of Engineer and Engineer's officers, directors, members, partners, employees, agents, consultants and subcontractors arising out of:
  - 1. the preparation or approval of, or the failure to prepare or approve maps, Drawings, opinions, reports, surveys, Change Orders, designs, or Specifications; or
  - 2. giving directions or instructions, or failing to give them, if that is the primary cause of the injury or damage.

#### 6.21 *Delegation of Professional Design Services*

- A. Contractor will not be required to provide professional design services unless such services are specifically required by the Contract Documents for a portion of the Work or unless such services are required to carry out Contractor's responsibilities for construction means, methods, techniques, sequences and procedures. Contractor shall not be required to provide professional services in violation of applicable law.
- B. If professional design services or certifications by a design professional related to systems, materials or equipment are specifically required of Contractor by the Contract Documents, Owner and Engineer will specify all performance and design criteria that such services must satisfy. Contractor shall cause such services or certifications to be provided by a properly licensed professional, whose signature and seal shall appear on all drawings, calculations, specifications, certifications, Shop Drawings and other submittals prepared by such professional. Shop Drawings and other submittals related to the Work designed or certified by such professional, if prepared by others, shall bear such professional's written approval when submitted to Engineer.
- C. Owner and Engineer shall be entitled to rely upon the adequacy, accuracy and completeness of the services, certifications or approvals performed by such design professionals, provided Owner and Engineer have specified to Contractor all performance and design criteria that such services must satisfy.
- D. Pursuant to this Paragraph 6.21, Engineer's review and approval of design calculations and design drawings will be only for the limited purpose of checking for conformance with performance and design criteria given and the design concept expressed in the Contract Documents. Engineer's review and approval of Shop Drawings and other submittals (except design calculations and design drawings) will be only for the purpose stated in Paragraph 6.17.D.1.



- E. Contractor shall not be responsible for the adequacy of the performance or design criteria required by the Contract Documents.

## **ARTICLE 7 – OTHER WORK AT THE SITE**

### *7.01 Related Work at Site*

- A. Owner may perform other work related to the Project at the Site with Owner’s employees, or through other direct contracts therefor, or have other work performed by utility owners. If such other work is not noted in the Contract Documents, then:
  - 1. written notice thereof will be given to Contractor prior to starting any such other work; and
  - 2. if Owner and Contractor are unable to agree on entitlement to or on the amount or extent, if any, of any adjustment in the Contract Price or Contract Times that should be allowed as a result of such other work, a Claim may be made therefor as provided in Paragraph 10.05.
- B. Contractor shall afford each other contractor who is a party to such a direct contract, each utility owner, and Owner, if Owner is performing other work with Owner’s employees, proper and safe access to the Site, provide a reasonable opportunity for the introduction and storage of materials and equipment and the execution of such other work, and properly coordinate the Work with theirs. Contractor shall do all cutting, fitting, and patching of the Work that may be required to properly connect or otherwise make its several parts come together and properly integrate with such other work. Contractor shall not endanger any work of others by cutting, excavating, or otherwise altering such work; provided, however, that Contractor may cut or alter others' work with the written consent of Engineer and the others whose work will be affected. The duties and responsibilities of Contractor under this Paragraph are for the benefit of such utility owners and other contractors to the extent that there are comparable provisions for the benefit of Contractor in said direct contracts between Owner and such utility owners and other contractors.
- C. If the proper execution or results of any part of Contractor’s Work depends upon work performed by others under this Article 7, Contractor shall inspect such other work and promptly report to Engineer in writing any delays, defects, or deficiencies in such other work that render it unavailable or unsuitable for the proper execution and results of Contractor’s Work. Contractor’s failure to so report will constitute an acceptance of such other work as fit and proper for integration with Contractor’s Work except for latent defects and deficiencies in such other work.

### *7.02 Coordination*

- A. If Owner intends to contract with others for the performance of other work on the Project at the Site, the following will be set forth in Supplementary Conditions:
  - 1. the individual or entity who will have authority and responsibility for coordination of the activities among the various contractors will be identified;
  - 2. the specific matters to be covered by such authority and responsibility will be itemized; and
  - 3. the extent of such authority and responsibilities will be provided.

- B. Unless otherwise provided in the Supplementary Conditions, Owner shall have sole authority and responsibility for such coordination.

7.03 *Legal Relationships*

- A. Paragraphs 7.01.A and 7.02 are not applicable for utilities not under the control of Owner.
- B. Each other direct contract of Owner under Paragraph 7.01.A shall provide that the other contractor is liable to Owner and Contractor for the reasonable direct delay and disruption costs incurred by Contractor as a result of the other contractor's wrongful actions or inactions.
- C. Contractor shall be liable to Owner and any other contractor under direct contract to Owner for the reasonable direct delay and disruption costs incurred by such other contractor as a result of Contractor's wrongful action or inactions.

**ARTICLE 8 – OWNER'S RESPONSIBILITIES**

8.01 *Communications to Contractor*

- A. Except as otherwise provided in these General Conditions, Owner shall issue all communications to Contractor through Engineer.

8.02 *Replacement of Engineer*

- A. In case of termination of the employment of Engineer, Owner shall appoint an engineer to whom Contractor makes no reasonable objection, whose status under the Contract Documents shall be that of the former Engineer.

8.03 *Furnish Data*

- A. Owner shall promptly furnish the data required of Owner under the Contract Documents.

8.04 *Pay When Due*

- A. Owner shall make payments to Contractor when they are due as provided in Paragraphs 14.02.C and 14.07.C.

8.05 *Lands and Easements; Reports and Tests*

- A. Owner's duties with respect to providing lands and easements and providing engineering surveys to establish reference points are set forth in Paragraphs 4.01 and 4.05. Paragraph 4.02 refers to Owner's identifying and making available to Contractor copies of reports of explorations and tests of subsurface conditions and drawings of physical conditions relating to existing surface or subsurface structures at the Site.

8.06 *Insurance*

- A. Owner's responsibilities, if any, with respect to purchasing and maintaining liability and property insurance are set forth in Article 5.

8.07 *Change Orders*

A. Owner is obligated to execute Change Orders as indicated in Paragraph 10.03.

8.08 *Inspections, Tests, and Approvals*

A. Owner's responsibility with respect to certain inspections, tests, and approvals is set forth in Paragraph 13.03.B.

8.09 *Limitations on Owner's Responsibilities*

A. The Owner shall not supervise, direct, or have control or authority over, nor be responsible for, Contractor's means, methods, techniques, sequences, or procedures of construction, or the safety precautions and programs incident thereto, or for any failure of Contractor to comply with Laws and Regulations applicable to the performance of the Work. Owner will not be responsible for Contractor's failure to perform the Work in accordance with the Contract Documents.

8.10 *Undisclosed Hazardous Environmental Condition*

A. Owner's responsibility in respect to an undisclosed Hazardous Environmental Condition is set forth in Paragraph 4.06.

8.11 *Evidence of Financial Arrangements*

A. Upon request of Contractor, Owner shall furnish Contractor reasonable evidence that financial arrangements have been made to satisfy Owner's obligations under the Contract Documents.

8.12 *Compliance with Safety Program*

A. While at the Site, Owner's employees and representatives shall comply with the specific applicable requirements of Contractor's safety programs of which Owner has been informed pursuant to Paragraph 6.13.D.

**ARTICLE 9 – ENGINEER'S STATUS DURING CONSTRUCTION**

9.01 *Owner's Representative*

A. Engineer will be Owner's representative during the construction period. The duties and responsibilities and the limitations of authority of Engineer as Owner's representative during construction are set forth in the Contract Documents.

9.02 *Visits to Site*

A. Engineer will make visits to the Site at intervals appropriate to the various stages of construction as Engineer deems necessary in order to observe as an experienced and qualified design professional the progress that has been made and the quality of the various aspects of Contractor's executed Work. Based on information obtained during such visits and observations, Engineer, for the benefit of Owner, will determine, in general, if the Work is proceeding in accordance with the Contract Documents. Engineer will not be required to make exhaustive or

continuous inspections on the Site to check the quality or quantity of the Work. Engineer's efforts will be directed toward providing for Owner a greater degree of confidence that the completed Work will conform generally to the Contract Documents. On the basis of such visits and observations, Engineer will keep Owner informed of the progress of the Work and will endeavor to guard Owner against defective Work.

- B. Engineer's visits and observations are subject to all the limitations on Engineer's authority and responsibility set forth in Paragraph 9.09. Particularly, but without limitation, during or as a result of Engineer's visits or observations of Contractor's Work, Engineer will not supervise, direct, control, or have authority over or be responsible for Contractor's means, methods, techniques, sequences, or procedures of construction, or the safety precautions and programs incident thereto, or for any failure of Contractor to comply with Laws and Regulations applicable to the performance of the Work.

#### 9.03 *Project Representative*

- A. If Owner and Engineer agree, Engineer will furnish a Resident Project Representative to assist Engineer in providing more extensive observation of the Work. The authority and responsibilities of any such Resident Project Representative and assistants will be as provided in the Supplementary Conditions, and limitations on the responsibilities thereof will be as provided in Paragraph 9.09. If Owner designates another representative or agent to represent Owner at the Site who is not Engineer's consultant, agent or employee, the responsibilities and authority and limitations thereon of such other individual or entity will be as provided in the Supplementary Conditions.

#### 9.04 *Authorized Variations in Work*

- A. Engineer may authorize minor variations in the Work from the requirements of the Contract Documents which do not involve an adjustment in the Contract Price or the Contract Times and are compatible with the design concept of the completed Project as a functioning whole as indicated by the Contract Documents. These may be accomplished by a Field Order and will be binding on Owner and also on Contractor, who shall perform the Work involved promptly. If Owner or Contractor believes that a Field Order justifies an adjustment in the Contract Price or Contract Times, or both, and the parties are unable to agree on entitlement to or on the amount or extent, if any, of any such adjustment, a Claim may be made therefor as provided in Paragraph 10.05.

#### 9.05 *Rejecting Defective Work*

- A. Engineer will have authority to reject Work which Engineer believes to be defective, or that Engineer believes will not produce a completed Project that conforms to the Contract Documents or that will prejudice the integrity of the design concept of the completed Project as a functioning whole as indicated by the Contract Documents. Engineer will also have authority to require special inspection or testing of the Work as provided in Paragraph 13.04, whether or not the Work is fabricated, installed, or completed.

9.06 *Shop Drawings, Change Orders and Payments*

- A. In connection with Engineer's authority, and limitations thereof, as to Shop Drawings and Samples, see Paragraph 6.17.
- B. In connection with Engineer's authority, and limitations thereof, as to design calculations and design drawings submitted in response to a delegation of professional design services, if any, see Paragraph 6.21.
- C. In connection with Engineer's authority as to Change Orders, see Articles 10, 11, and 12.
- D. In connection with Engineer's authority as to Applications for Payment, see Article 14.

9.07 *Determinations for Unit Price Work*

- A. Engineer will determine the actual quantities and classifications of Unit Price Work performed by Contractor. Engineer will review with Contractor the Engineer's preliminary determinations on such matters before rendering a written decision thereon (by recommendation of an Application for Payment or otherwise). Engineer's written decision thereon will be final and binding (except as modified by Engineer to reflect changed factual conditions or more accurate data) upon Owner and Contractor, subject to the provisions of Paragraph 10.05.

9.08 *Decisions on Requirements of Contract Documents and Acceptability of Work*

- A. Engineer will be the initial interpreter of the requirements of the Contract Documents and judge of the acceptability of the Work thereunder. All matters in question and other matters between Owner and Contractor arising prior to the date final payment is due relating to the acceptability of the Work, and the interpretation of the requirements of the Contract Documents pertaining to the performance of the Work, will be referred initially to Engineer in writing within 30 days of the event giving rise to the question.
- B. Engineer will, with reasonable promptness, render a written decision on the issue referred. If Owner or Contractor believes that any such decision entitles them to an adjustment in the Contract Price or Contract Times or both, a Claim may be made under Paragraph 10.05. The date of Engineer's decision shall be the date of the event giving rise to the issues referenced for the purposes of Paragraph 10.05.B.
- C. Engineer's written decision on the issue referred will be final and binding on Owner and Contractor, subject to the provisions of Paragraph 10.05.
- D. When functioning as interpreter and judge under this Paragraph 9.08, Engineer will not show partiality to Owner or Contractor and will not be liable in connection with any interpretation or decision rendered in good faith in such capacity.

9.09 *Limitations on Engineer's Authority and Responsibilities*

- A. Neither Engineer's authority or responsibility under this Article 9 or under any other provision of the Contract Documents nor any decision made by Engineer in good faith either to exercise

or not exercise such authority or responsibility or the undertaking, exercise, or performance of any authority or responsibility by Engineer shall create, impose, or give rise to any duty in contract, tort, or otherwise owed by Engineer to Contractor, any Subcontractor, any Supplier, any other individual or entity, or to any surety for or employee or agent of any of them.

- B. Engineer will not supervise, direct, control, or have authority over or be responsible for Contractor's means, methods, techniques, sequences, or procedures of construction, or the safety precautions and programs incident thereto, or for any failure of Contractor to comply with Laws and Regulations applicable to the performance of the Work. Engineer will not be responsible for Contractor's failure to perform the Work in accordance with the Contract Documents.
- C. Engineer will not be responsible for the acts or omissions of Contractor or of any Subcontractor, any Supplier, or of any other individual or entity performing any of the Work.
- D. Engineer's review of the final Application for Payment and accompanying documentation and all maintenance and operating instructions, schedules, guarantees, bonds, certificates of inspection, tests and approvals, and other documentation required to be delivered by Paragraph 14.07.A will only be to determine generally that their content complies with the requirements of, and in the case of certificates of inspections, tests, and approvals that the results certified indicate compliance with, the Contract Documents.
- E. The limitations upon authority and responsibility set forth in this Paragraph 9.09 shall also apply to the Resident Project Representative, if any, and assistants, if any.

#### 9.10 *Compliance with Safety Program*

- A. While at the Site, Engineer's employees and representatives shall comply with the specific applicable requirements of Contractor's safety programs of which Engineer has been informed pursuant to Paragraph 6.13.D.

### **ARTICLE 10 – CHANGES IN THE WORK; CLAIMS**

#### 10.01 *Authorized Changes in the Work*

- A. Without invalidating the Contract and without notice to any surety, Owner may, at any time or from time to time, order additions, deletions, or revisions in the Work by a Change Order, or a Work Change Directive. Upon receipt of any such document, Contractor shall promptly proceed with the Work involved which will be performed under the applicable conditions of the Contract Documents (except as otherwise specifically provided).
- B. If Owner and Contractor are unable to agree on entitlement to, or on the amount or extent, if any, of an adjustment in the Contract Price or Contract Times, or both, that should be allowed as a result of a Work Change Directive, a Claim may be made therefor as provided in Paragraph 10.05.

## 10.02 *Unauthorized Changes in the Work*

- A. Contractor shall not be entitled to an increase in the Contract Price or an extension of the Contract Times with respect to any work performed that is not required by the Contract Documents as amended, modified, or supplemented as provided in Paragraph 3.04, except in the case of an emergency as provided in Paragraph 6.16 or in the case of uncovering Work as provided in Paragraph 13.04.D.

## 10.03 *Execution of Change Orders*

- A. Owner and Contractor shall execute appropriate Change Orders recommended by Engineer covering:
  - 1. changes in the Work which are: (i) ordered by Owner pursuant to Paragraph 10.01.A, (ii) required because of acceptance of defective Work under Paragraph 13.08.A or Owner's correction of defective Work under Paragraph 13.09, or (iii) agreed to by the parties;
  - 2. changes in the Contract Price or Contract Times which are agreed to by the parties, including any undisputed sum or amount of time for Work actually performed in accordance with a Work Change Directive; and
  - 3. changes in the Contract Price or Contract Times which embody the substance of any written decision rendered by Engineer pursuant to Paragraph 10.05; provided that, in lieu of executing any such Change Order, an appeal may be taken from any such decision in accordance with the provisions of the Contract Documents and applicable Laws and Regulations, but during any such appeal, Contractor shall carry on the Work and adhere to the Progress Schedule as provided in Paragraph 6.18.A.

## 10.04 *Notification to Surety*

- A. If the provisions of any bond require notice to be given to a surety of any change affecting the general scope of the Work or the provisions of the Contract Documents (including, but not limited to, Contract Price or Contract Times), the giving of any such notice will be Contractor's responsibility. The amount of each applicable bond will be adjusted to reflect the effect of any such change.

## 10.05 *Claims*

- A. *Engineer's Decision Required:* All Claims, except those waived pursuant to Paragraph 14.09, shall be referred to the Engineer for decision. A decision by Engineer shall be required as a condition precedent to any exercise by Owner or Contractor of any rights or remedies either may otherwise have under the Contract Documents or by Laws and Regulations in respect of such Claims.
- B. *Notice:* Written notice stating the general nature of each Claim shall be delivered by the claimant to Engineer and the other party to the Contract promptly (but in no event later than 30 days) after the start of the event giving rise thereto. The responsibility to substantiate a Claim shall rest with the party making the Claim. Notice of the amount or extent of the Claim, with supporting data

shall be delivered to the Engineer and the other party to the Contract within 60 days after the start of such event (unless Engineer allows additional time for claimant to submit additional or more accurate data in support of such Claim). A Claim for an adjustment in Contract Price shall be prepared in accordance with the provisions of Paragraph 12.01.B. A Claim for an adjustment in Contract Times shall be prepared in accordance with the provisions of Paragraph 12.02.B. Each Claim shall be accompanied by claimant's written statement that the adjustment claimed is the entire adjustment to which the claimant believes it is entitled as a result of said event. The opposing party shall submit any response to Engineer and the claimant within 30 days after receipt of the claimant's last submittal (unless Engineer allows additional time).

- C. *Engineer's Action:* Engineer will review each Claim and, within 30 days after receipt of the last submittal of the claimant or the last submittal of the opposing party, if any, take one of the following actions in writing:
1. deny the Claim in whole or in part;
  2. approve the Claim; or
  3. notify the parties that the Engineer is unable to resolve the Claim if, in the Engineer's sole discretion, it would be inappropriate for the Engineer to do so. For purposes of further resolution of the Claim, such notice shall be deemed a denial.
- D. In the event that Engineer does not take action on a Claim within said 30 days, the Claim shall be deemed denied.
- E. Engineer's written action under Paragraph 10.05.C or denial pursuant to Paragraphs 10.05.C.3 or 10.05.D will be final and binding upon Owner and Contractor, unless Owner or Contractor invoke the dispute resolution procedure set forth in Article 16 within 30 days of such action or denial.
- F. No Claim for an adjustment in Contract Price or Contract Times will be valid if not submitted in accordance with this Paragraph 10.05.

## **ARTICLE 11 – COST OF THE WORK; ALLOWANCES; UNIT PRICE WORK**

### **11.01 *Cost of the Work***

- A. *Costs Included:* The term Cost of the Work means the sum of all costs, except those excluded in Paragraph 11.01.B, necessarily incurred and paid by Contractor in the proper performance of the Work. When the value of any Work covered by a Change Order or when a Claim for an adjustment in Contract Price is determined on the basis of Cost of the Work, the costs to be reimbursed to Contractor will be only those additional or incremental costs required because of the change in the Work or because of the event giving rise to the Claim. Except as otherwise may be agreed to in writing by Owner, such costs shall be in amounts no higher than those prevailing in the locality of the Project, shall not include any of the costs itemized in Paragraph 11.01.B, and shall include only the following items:



1. Payroll costs for employees in the direct employ of Contractor in the performance of the Work under schedules of job classifications agreed upon by Owner and Contractor. Such employees shall include, without limitation, superintendents, foremen, and other personnel employed full time on the Work. Payroll costs for employees not employed full time on the Work shall be apportioned on the basis of their time spent on the Work. Payroll costs shall include, but not be limited to, salaries and wages plus the cost of fringe benefits, which shall include social security contributions, unemployment, excise, and payroll taxes, workers' compensation, health and retirement benefits, bonuses, sick leave, vacation and holiday pay applicable thereto. The expenses of performing Work outside of regular working hours, on Saturday, Sunday, or legal holidays, shall be included in the above to the extent authorized by Owner.
2. Cost of all materials and equipment furnished and incorporated in the Work, including costs of transportation and storage thereof, and Suppliers' field services required in connection therewith. All cash discounts shall accrue to Contractor unless Owner deposits funds with Contractor with which to make payments, in which case the cash discounts shall accrue to Owner. All trade discounts, rebates and refunds and returns from sale of surplus materials and equipment shall accrue to Owner, and Contractor shall make provisions so that they may be obtained.
3. Payments made by Contractor to Subcontractors for Work performed by Subcontractors. If required by Owner, Contractor shall obtain competitive bids from subcontractors acceptable to Owner and Contractor and shall deliver such bids to Owner, who will then determine, with the advice of Engineer, which bids, if any, will be acceptable. If any subcontract provides that the Subcontractor is to be paid on the basis of Cost of the Work plus a fee, the Subcontractor's Cost of the Work and fee shall be determined in the same manner as Contractor's Cost of the Work and fee as provided in this Paragraph 11.01.
4. Costs of special consultants (including but not limited to engineers, architects, testing laboratories, surveyors, attorneys, and accountants) employed for services specifically related to the Work.
5. Supplemental costs including the following:
  - a. The proportion of necessary transportation, travel, and subsistence expenses of Contractor's employees incurred in discharge of duties connected with the Work.
  - b. Cost, including transportation and maintenance, of all materials, supplies, equipment, machinery, appliances, office, and temporary facilities at the Site, and hand tools not owned by the workers, which are consumed in the performance of the Work, and cost, less market value, of such items used but not consumed which remain the property of Contractor.
  - c. Rentals of all construction equipment and machinery, and the parts thereof whether rented from Contractor or others in accordance with rental agreements approved by Owner with the advice of Engineer, and the costs of transportation, loading, unloading, assembly, dismantling, and removal thereof. All such costs shall be in accordance with the terms of

said rental agreements. The rental of any such equipment, machinery, or parts shall cease when the use thereof is no longer necessary for the Work.

- d. Sales, consumer, use, and other similar taxes related to the Work, and for which Contractor is liable, as imposed by Laws and Regulations.
- e. Deposits lost for causes other than negligence of Contractor, any Subcontractor, or anyone directly or indirectly employed by any of them or for whose acts any of them may be liable, and royalty payments and fees for permits and licenses.
- f. Losses and damages (and related expenses) caused by damage to the Work, not compensated by insurance or otherwise, sustained by Contractor in connection with the performance of the Work (except losses and damages within the deductible amounts of property insurance established in accordance with Paragraph 5.06.D), provided such losses and damages have resulted from causes other than the negligence of Contractor, any Subcontractor, or anyone directly or indirectly employed by any of them or for whose acts any of them may be liable. Such losses shall include settlements made with the written consent and approval of Owner. No such losses, damages, and expenses shall be included in the Cost of the Work for the purpose of determining Contractor's fee.
- g. The cost of utilities, fuel, and sanitary facilities at the Site.
- h. Minor expenses such as telegrams, long distance telephone calls, telephone service at the Site, express and courier services, and similar petty cash items in connection with the Work.
- i. The costs of premiums for all bonds and insurance Contractor is required by the Contract Documents to purchase and maintain.

B. *Costs Excluded:* The term Cost of the Work shall not include any of the following items:

1. Payroll costs and other compensation of Contractor's officers, executives, principals (of partnerships and sole proprietorships), general managers, safety managers, engineers, architects, estimators, attorneys, auditors, accountants, purchasing and contracting agents, expeditors, timekeepers, clerks, and other personnel employed by Contractor, whether at the Site or in Contractor's principal or branch office for general administration of the Work and not specifically included in the agreed upon schedule of job classifications referred to in Paragraph 11.01.A.1 or specifically covered by Paragraph 11.01.A.4, all of which are to be considered administrative costs covered by the Contractor's fee.
2. Expenses of Contractor's principal and branch offices other than Contractor's office at the Site.
3. Any part of Contractor's capital expenses, including interest on Contractor's capital employed for the Work and charges against Contractor for delinquent payments.
4. Costs due to the negligence of Contractor, any Subcontractor, or anyone directly or indirectly employed by any of them or for whose acts any of them may be liable, including but not

limited to, the correction of defective Work, disposal of materials or equipment wrongly supplied, and making good any damage to property.

5. Other overhead or general expense costs of any kind and the costs of any item not specifically and expressly included in Paragraphs 11.01.A.
- C. *Contractor's Fee:* When all the Work is performed on the basis of cost-plus, Contractor's fee shall be determined as set forth in the Agreement. When the value of any Work covered by a Change Order or when a Claim for an adjustment in Contract Price is determined on the basis of Cost of the Work, Contractor's fee shall be determined as set forth in Paragraph 12.01.C.
- D. *Documentation:* Whenever the Cost of the Work for any purpose is to be determined pursuant to Paragraphs 11.01.A and 11.01.B, Contractor will establish and maintain records thereof in accordance with generally accepted accounting practices and submit in a form acceptable to Engineer an itemized cost breakdown together with supporting data.

#### 11.02 Allowances

- A. It is understood that Contractor has included in the Contract Price all allowances so named in the Contract Documents and shall cause the Work so covered to be performed for such sums and by such persons or entities as may be acceptable to Owner and Engineer.
- B. *Cash Allowances:*
  1. Contractor agrees that:
    - a. the cash allowances include the cost to Contractor (less any applicable trade discounts) of materials and equipment required by the allowances to be delivered at the Site, and all applicable taxes; and
    - b. Contractor's costs for unloading and handling on the Site, labor, installation, overhead, profit, and other expenses contemplated for the cash allowances have been included in the Contract Price and not in the allowances, and no demand for additional payment on account of any of the foregoing will be valid.
- C. *Contingency Allowance:*
  1. Contractor agrees that a contingency allowance, if any, is for the sole use of Owner to cover unanticipated costs.
- D. Prior to final payment, an appropriate Change Order will be issued as recommended by Engineer to reflect actual amounts due Contractor on account of Work covered by allowances, and the Contract Price shall be correspondingly adjusted.

#### 11.03 Unit Price Work

- A. Where the Contract Documents provide that all or part of the Work is to be Unit Price Work, initially the Contract Price will be deemed to include for all Unit Price Work an amount equal to

the sum of the unit price for each separately identified item of Unit Price Work times the estimated quantity of each item as indicated in the Agreement.

- B. The estimated quantities of items of Unit Price Work are not guaranteed and are solely for the purpose of comparison of Bids and determining an initial Contract Price. Determinations of the actual quantities and classifications of Unit Price Work performed by Contractor will be made by Engineer subject to the provisions of Paragraph 9.07.
- C. Each unit price will be deemed to include an amount considered by Contractor to be adequate to cover Contractor's overhead and profit for each separately identified item.
- D. Owner or Contractor may make a Claim for an adjustment in the Contract Price in accordance with Paragraph 10.05 if:
  - 1. the quantity of any item of Unit Price Work performed by Contractor differs materially and significantly from the estimated quantity of such item indicated in the Agreement; and
  - 2. there is no corresponding adjustment with respect to any other item of Work; and
  - 3. Contractor believes that Contractor is entitled to an increase in Contract Price as a result of having incurred additional expense or Owner believes that Owner is entitled to a decrease in Contract Price and the parties are unable to agree as to the amount of any such increase or decrease.

## **ARTICLE 12 – CHANGE OF CONTRACT PRICE; CHANGE OF CONTRACT TIMES**

### *12.01 Change of Contract Price*

- A. The Contract Price may only be changed by a Change Order. Any Claim for an adjustment in the Contract Price shall be based on written notice submitted by the party making the Claim to the Engineer and the other party to the Contract in accordance with the provisions of Paragraph 10.05.
- B. The value of any Work covered by a Change Order or of any Claim for an adjustment in the Contract Price will be determined as follows:
  - 1. where the Work involved is covered by unit prices contained in the Contract Documents, by application of such unit prices to the quantities of the items involved (subject to the provisions of Paragraph 11.03); or
  - 2. where the Work involved is not covered by unit prices contained in the Contract Documents, by a mutually agreed lump sum (which may include an allowance for overhead and profit not necessarily in accordance with Paragraph 12.01.C.2); or
  - 3. where the Work involved is not covered by unit prices contained in the Contract Documents and agreement to a lump sum is not reached under Paragraph 12.01.B.2, on the basis of the Cost of the Work (determined as provided in Paragraph 11.01) plus a Contractor's fee for overhead and profit (determined as provided in Paragraph 12.01.C).

C. *Contractor's Fee*: The Contractor's fee for overhead and profit shall be determined as follows:

1. a mutually acceptable fixed fee; or
2. if a fixed fee is not agreed upon, then a fee based on the following percentages of the various portions of the Cost of the Work:
  - a. for costs incurred under Paragraphs 11.01.A.1 and 11.01.A.2, the Contractor's fee shall be 15 percent;
  - b. for costs incurred under Paragraph 11.01.A.3, the Contractor's fee shall be five percent;
  - c. where one or more tiers of subcontracts are on the basis of Cost of the Work plus a fee and no fixed fee is agreed upon, the intent of Paragraphs 12.01.C.2.a and 12.01.C.2.b is that the Subcontractor who actually performs the Work, at whatever tier, will be paid a fee of 15 percent of the costs incurred by such Subcontractor under Paragraphs 11.01.A.1 and 11.01.A.2 and that any higher tier Subcontractor and Contractor will each be paid a fee of five percent of the amount paid to the next lower tier Subcontractor;
  - d. no fee shall be payable on the basis of costs itemized under Paragraphs 11.01.A.4, 11.01.A.5, and 11.01.B;
  - e. the amount of credit to be allowed by Contractor to Owner for any change which results in a net decrease in cost will be the amount of the actual net decrease in cost plus a deduction in Contractor's fee by an amount equal to five percent of such net decrease; and
  - f. when both additions and credits are involved in any one change, the adjustment in Contractor's fee shall be computed on the basis of the net change in accordance with Paragraphs 12.01.C.2.a through 12.01.C.2.e, inclusive.

#### 12.02 *Change of Contract Times*

- A. The Contract Times may only be changed by a Change Order. Any Claim for an adjustment in the Contract Times shall be based on written notice submitted by the party making the Claim to the Engineer and the other party to the Contract in accordance with the provisions of Paragraph 10.05.
- B. Any adjustment of the Contract Times covered by a Change Order or any Claim for an adjustment in the Contract Times will be determined in accordance with the provisions of this Article 12.

#### 12.03 *Delays*

- A. Where Contractor is prevented from completing any part of the Work within the Contract Times due to delay beyond the control of Contractor, the Contract Times will be extended in an amount equal to the time lost due to such delay if a Claim is made therefor as provided in Paragraph 12.02.A. Delays beyond the control of Contractor shall include, but not be limited to, acts or

neglect by Owner, acts or neglect of utility owners or other contractors performing other work as contemplated by Article 7, fires, floods, epidemics, abnormal weather conditions, or acts of God.

- B. If Owner, Engineer, or other contractors or utility owners performing other work for Owner as contemplated by Article 7, or anyone for whom Owner is responsible, delays, disrupts, or interferes with the performance or progress of the Work, then Contractor shall be entitled to an equitable adjustment in the Contract Price or the Contract Times, or both. Contractor's entitlement to an adjustment of the Contract Times is conditioned on such adjustment being essential to Contractor's ability to complete the Work within the Contract Times.
- C. If Contractor is delayed in the performance or progress of the Work by fire, flood, epidemic, abnormal weather conditions, acts of God, acts or failures to act of utility owners not under the control of Owner, or other causes not the fault of and beyond control of Owner and Contractor, then Contractor shall be entitled to an equitable adjustment in Contract Times, if such adjustment is essential to Contractor's ability to complete the Work within the Contract Times. Such an adjustment shall be Contractor's sole and exclusive remedy for the delays described in this Paragraph 12.03.C.
- D. Owner, Engineer, and their officers, directors, members, partners, employees, agents, consultants, or subcontractors shall not be liable to Contractor for any claims, costs, losses, or damages (including but not limited to all fees and charges of engineers, architects, attorneys, and other professionals and all court or arbitration or other dispute resolution costs) sustained by Contractor on or in connection with any other project or anticipated project.
- E. Contractor shall not be entitled to an adjustment in Contract Price or Contract Times for delays within the control of Contractor. Delays attributable to and within the control of a Subcontractor or Supplier shall be deemed to be delays within the control of Contractor.

## **ARTICLE 13 – TESTS AND INSPECTIONS; CORRECTION, REMOVAL OR ACCEPTANCE OF DEFECTIVE WORK**

### *13.01 Notice of Defects*

- A. Prompt notice of all defective Work of which Owner or Engineer has actual knowledge will be given to Contractor. Defective Work may be rejected, corrected, or accepted as provided in this Article 13.

### *13.02 Access to Work*

- A. Owner, Engineer, their consultants and other representatives and personnel of Owner, independent testing laboratories, and governmental agencies with jurisdictional interests will have access to the Site and the Work at reasonable times for their observation, inspection, and testing. Contractor shall provide them proper and safe conditions for such access and advise them of Contractor's safety procedures and programs so that they may comply therewith as applicable.

### 13.03 *Tests and Inspections*

- A. Contractor shall give Engineer timely notice of readiness of the Work for all required inspections, tests, or approvals and shall cooperate with inspection and testing personnel to facilitate required inspections or tests.
- B. Owner shall employ and pay for the services of an independent testing laboratory to perform all inspections, tests, or approvals required by the Contract Documents except:
  - 1. for inspections, tests, or approvals covered by Paragraphs 13.03.C and 13.03.D below;
  - 2. that costs incurred in connection with tests or inspections conducted pursuant to Paragraph 13.04.B shall be paid as provided in Paragraph 13.04.C; and
  - 3. as otherwise specifically provided in the Contract Documents.
- C. If Laws or Regulations of any public body having jurisdiction require any Work (or part thereof) specifically to be inspected, tested, or approved by an employee or other representative of such public body, Contractor shall assume full responsibility for arranging and obtaining such inspections, tests, or approvals, pay all costs in connection therewith, and furnish Engineer the required certificates of inspection or approval.
- D. Contractor shall be responsible for arranging and obtaining and shall pay all costs in connection with any inspections, tests, or approvals required for Owner's and Engineer's acceptance of materials or equipment to be incorporated in the Work; or acceptance of materials, mix designs, or equipment submitted for approval prior to Contractor's purchase thereof for incorporation in the Work. Such inspections, tests, or approvals shall be performed by organizations acceptable to Owner and Engineer.
- E. If any Work (or the work of others) that is to be inspected, tested, or approved is covered by Contractor without written concurrence of Engineer, Contractor shall, if requested by Engineer, uncover such Work for observation.
- F. Uncovering Work as provided in Paragraph 13.03.E shall be at Contractor's expense unless Contractor has given Engineer timely notice of Contractor's intention to cover the same and Engineer has not acted with reasonable promptness in response to such notice.

### 13.04 *Uncovering Work*

- A. If any Work is covered contrary to the written request of Engineer, it must, if requested by Engineer, be uncovered for Engineer's observation and replaced at Contractor's expense.
- B. If Engineer considers it necessary or advisable that covered Work be observed by Engineer or inspected or tested by others, Contractor, at Engineer's request, shall uncover, expose, or otherwise make available for observation, inspection, or testing as Engineer may require, that portion of the Work in question, furnishing all necessary labor, material, and equipment.

- C. If it is found that the uncovered Work is defective, Contractor shall pay all claims, costs, losses, and damages (including but not limited to all fees and charges of engineers, architects, attorneys, and other professionals and all court or arbitration or other dispute resolution costs) arising out of or relating to such uncovering, exposure, observation, inspection, and testing, and of satisfactory replacement or reconstruction (including but not limited to all costs of repair or replacement of work of others); and Owner shall be entitled to an appropriate decrease in the Contract Price. If the parties are unable to agree as to the amount thereof, Owner may make a Claim therefor as provided in Paragraph 10.05.
- D. If the uncovered Work is not found to be defective, Contractor shall be allowed an increase in the Contract Price or an extension of the Contract Times, or both, directly attributable to such uncovering, exposure, observation, inspection, testing, replacement, and reconstruction. If the parties are unable to agree as to the amount or extent thereof, Contractor may make a Claim therefor as provided in Paragraph 10.05.

#### 13.05 *Owner May Stop the Work*

- A. If the Work is defective, or Contractor fails to supply sufficient skilled workers or suitable materials or equipment, or fails to perform the Work in such a way that the completed Work will conform to the Contract Documents, Owner may order Contractor to stop the Work, or any portion thereof, until the cause for such order has been eliminated; however, this right of Owner to stop the Work shall not give rise to any duty on the part of Owner to exercise this right for the benefit of Contractor, any Subcontractor, any Supplier, any other individual or entity, or any surety for, or employee or agent of any of them.

#### 13.06 *Correction or Removal of Defective Work*

- A. Promptly after receipt of written notice, Contractor shall correct all defective Work, whether or not fabricated, installed, or completed, or, if the Work has been rejected by Engineer, remove it from the Project and replace it with Work that is not defective. Contractor shall pay all claims, costs, losses, and damages (including but not limited to all fees and charges of engineers, architects, attorneys, and other professionals and all court or arbitration or other dispute resolution costs) arising out of or relating to such correction or removal (including but not limited to all costs of repair or replacement of work of others).
- B. When correcting defective Work under the terms of this Paragraph 13.06 or Paragraph 13.07, Contractor shall take no action that would void or otherwise impair Owner's special warranty and guarantee, if any, on said Work.

#### 13.07 *Correction Period*

- A. If within one year after the date of Substantial Completion (or such longer period of time as may be prescribed by the terms of any applicable special guarantee required by the Contract Documents) or by any specific provision of the Contract Documents, any Work is found to be defective, or if the repair of any damages to the land or areas made available for Contractor's use by Owner or permitted by Laws and Regulations as contemplated in Paragraph 6.11.A is found to be defective, Contractor shall promptly, without cost to Owner and in accordance with Owner's written instructions:



1. repair such defective land or areas; or
  2. correct such defective Work; or
  3. if the defective Work has been rejected by Owner, remove it from the Project and replace it with Work that is not defective, and
  4. satisfactorily correct or repair or remove and replace any damage to other Work, to the work of others or other land or areas resulting therefrom.
- B. If Contractor does not promptly comply with the terms of Owner's written instructions, or in an emergency where delay would cause serious risk of loss or damage, Owner may have the defective Work corrected or repaired or may have the rejected Work removed and replaced. All claims, costs, losses, and damages (including but not limited to all fees and charges of engineers, architects, attorneys, and other professionals and all court or arbitration or other dispute resolution costs) arising out of or relating to such correction or repair or such removal and replacement (including but not limited to all costs of repair or replacement of work of others) will be paid by Contractor.
- C. In special circumstances where a particular item of equipment is placed in continuous service before Substantial Completion of all the Work, the correction period for that item may start to run from an earlier date if so provided in the Specifications.
- D. Where defective Work (and damage to other Work resulting therefrom) has been corrected or removed and replaced under this Paragraph 13.07, the correction period hereunder with respect to such Work will be extended for an additional period of one year after such correction or removal and replacement has been satisfactorily completed.
- E. Contractor's obligations under this Paragraph 13.07 are in addition to any other obligation or warranty. The provisions of this Paragraph 13.07 shall not be construed as a substitute for, or a waiver of, the provisions of any applicable statute of limitation or repose.

#### 13.08 *Acceptance of Defective Work*

- A. If, instead of requiring correction or removal and replacement of defective Work, Owner (and, prior to Engineer's recommendation of final payment, Engineer) prefers to accept it, Owner may do so. Contractor shall pay all claims, costs, losses, and damages (including but not limited to all fees and charges of engineers, architects, attorneys, and other professionals and all court or arbitration or other dispute resolution costs) attributable to Owner's evaluation of and determination to accept such defective Work (such costs to be approved by Engineer as to reasonableness) and for the diminished value of the Work to the extent not otherwise paid by Contractor pursuant to this sentence. If any such acceptance occurs prior to Engineer's recommendation of final payment, a Change Order will be issued incorporating the necessary revisions in the Contract Documents with respect to the Work, and Owner shall be entitled to an appropriate decrease in the Contract Price, reflecting the diminished value of Work so accepted. If the parties are unable to agree as to the amount thereof, Owner may make a Claim therefor as provided in Paragraph 10.05. If the acceptance occurs after such recommendation, an appropriate amount will be paid by Contractor to Owner.

### 13.09 *Owner May Correct Defective Work*

- A. If Contractor fails within a reasonable time after written notice from Engineer to correct defective Work, or to remove and replace rejected Work as required by Engineer in accordance with Paragraph 13.06.A, or if Contractor fails to perform the Work in accordance with the Contract Documents, or if Contractor fails to comply with any other provision of the Contract Documents, Owner may, after seven days written notice to Contractor, correct, or remedy any such deficiency.
- B. In exercising the rights and remedies under this Paragraph 13.09, Owner shall proceed expeditiously. In connection with such corrective or remedial action, Owner may exclude Contractor from all or part of the Site, take possession of all or part of the Work and suspend Contractor's services related thereto, take possession of Contractor's tools, appliances, construction equipment and machinery at the Site, and incorporate in the Work all materials and equipment stored at the Site or for which Owner has paid Contractor but which are stored elsewhere. Contractor shall allow Owner, Owner's representatives, agents and employees, Owner's other contractors, and Engineer and Engineer's consultants access to the Site to enable Owner to exercise the rights and remedies under this Paragraph.
- C. All claims, costs, losses, and damages (including but not limited to all fees and charges of engineers, architects, attorneys, and other professionals and all court or arbitration or other dispute resolution costs) incurred or sustained by Owner in exercising the rights and remedies under this Paragraph 13.09 will be charged against Contractor, and a Change Order will be issued incorporating the necessary revisions in the Contract Documents with respect to the Work; and Owner shall be entitled to an appropriate decrease in the Contract Price. If the parties are unable to agree as to the amount of the adjustment, Owner may make a Claim therefor as provided in Paragraph 10.05. Such claims, costs, losses and damages will include but not be limited to all costs of repair, or replacement of work of others destroyed or damaged by correction, removal, or replacement of Contractor's defective Work.
- D. Contractor shall not be allowed an extension of the Contract Times because of any delay in the performance of the Work attributable to the exercise by Owner of Owner's rights and remedies under this Paragraph 13.09.

## **ARTICLE 14 – PAYMENTS TO CONTRACTOR AND COMPLETION**

### 14.01 *Schedule of Values*

- A. The Schedule of Values established as provided in Paragraph 2.07.A will serve as the basis for progress payments and will be incorporated into a form of Application for Payment acceptable to Engineer. Progress payments on account of Unit Price Work will be based on the number of units completed.

### 14.02 *Progress Payments*

#### A. *Applications for Payments:*

- 1. At least 20 days before the date established in the Agreement for each progress payment (but not more often than once a month), Contractor shall submit to Engineer for review an

Application for Payment filled out and signed by Contractor covering the Work completed as of the date of the Application and accompanied by such supporting documentation as is required by the Contract Documents. If payment is requested on the basis of materials and equipment not incorporated in the Work but delivered and suitably stored at the Site or at another location agreed to in writing, the Application for Payment shall also be accompanied by a bill of sale, invoice, or other documentation warranting that Owner has received the materials and equipment free and clear of all Liens and evidence that the materials and equipment are covered by appropriate property insurance or other arrangements to protect Owner's interest therein, all of which must be satisfactory to Owner.

2. Beginning with the second Application for Payment, each Application shall include an affidavit of Contractor stating that all previous progress payments received on account of the Work have been applied on account to discharge Contractor's legitimate obligations associated with prior Applications for Payment.
3. The amount of retainage with respect to progress payments will be as stipulated in the Agreement.

*B. Review of Applications:*

1. Engineer will, within 10 days after receipt of each Application for Payment, either indicate in writing a recommendation of payment and present the Application to Owner or return the Application to Contractor indicating in writing Engineer's reasons for refusing to recommend payment. In the latter case, Contractor may make the necessary corrections and resubmit the Application.
2. Engineer's recommendation of any payment requested in an Application for Payment will constitute a representation by Engineer to Owner, based on Engineer's observations of the executed Work as an experienced and qualified design professional, and on Engineer's review of the Application for Payment and the accompanying data and schedules, that to the best of Engineer's knowledge, information and belief:
  - a. the Work has progressed to the point indicated;
  - b. the quality of the Work is generally in accordance with the Contract Documents (subject to an evaluation of the Work as a functioning whole prior to or upon Substantial Completion, the results of any subsequent tests called for in the Contract Documents, a final determination of quantities and classifications for Unit Price Work under Paragraph 9.07, and any other qualifications stated in the recommendation); and
  - c. the conditions precedent to Contractor's being entitled to such payment appear to have been fulfilled in so far as it is Engineer's responsibility to observe the Work.
3. By recommending any such payment Engineer will not thereby be deemed to have represented that:
  - a. inspections made to check the quality or the quantity of the Work as it has been performed have been exhaustive, extended to every aspect of the Work in progress, or

involved detailed inspections of the Work beyond the responsibilities specifically assigned to Engineer in the Contract Documents; or

- b. there may not be other matters or issues between the parties that might entitle Contractor to be paid additionally by Owner or entitle Owner to withhold payment to Contractor.
4. Neither Engineer's review of Contractor's Work for the purposes of recommending payments nor Engineer's recommendation of any payment, including final payment, will impose responsibility on Engineer:
    - a. to supervise, direct, or control the Work, or
    - b. for the means, methods, techniques, sequences, or procedures of construction, or the safety precautions and programs incident thereto, or
    - c. for Contractor's failure to comply with Laws and Regulations applicable to Contractor's performance of the Work, or
    - d. to make any examination to ascertain how or for what purposes Contractor has used the moneys paid on account of the Contract Price, or
    - e. to determine that title to any of the Work, materials, or equipment has passed to Owner free and clear of any Liens.
  5. Engineer may refuse to recommend the whole or any part of any payment if, in Engineer's opinion, it would be incorrect to make the representations to Owner stated in Paragraph 14.02.B.2. Engineer may also refuse to recommend any such payment or, because of subsequently discovered evidence or the results of subsequent inspections or tests, revise or revoke any such payment recommendation previously made, to such extent as may be necessary in Engineer's opinion to protect Owner from loss because:
    - a. the Work is defective, or completed Work has been damaged, requiring correction or replacement;
    - b. the Contract Price has been reduced by Change Orders;
    - c. Owner has been required to correct defective Work or complete Work in accordance with Paragraph 13.09; or
    - d. Engineer has actual knowledge of the occurrence of any of the events enumerated in Paragraph 15.02.A.

*C. Payment Becomes Due:*

1. Ten days after presentation of the Application for Payment to Owner with Engineer's recommendation, the amount recommended will (subject to the provisions of Paragraph 14.02.D) become due, and when due will be paid by Owner to Contractor.

D. *Reduction in Payment:*

1. Owner may refuse to make payment of the full amount recommended by Engineer because:
  - a. claims have been made against Owner on account of Contractor's performance or furnishing of the Work;
  - b. Liens have been filed in connection with the Work, except where Contractor has delivered a specific bond satisfactory to Owner to secure the satisfaction and discharge of such Liens;
  - c. there are other items entitling Owner to a set-off against the amount recommended; or
  - d. Owner has actual knowledge of the occurrence of any of the events enumerated in Paragraphs 14.02.B.5.a through 14.02.B.5.c or Paragraph 15.02.A.
2. If Owner refuses to make payment of the full amount recommended by Engineer, Owner will give Contractor immediate written notice (with a copy to Engineer) stating the reasons for such action and promptly pay Contractor any amount remaining after deduction of the amount so withheld. Owner shall promptly pay Contractor the amount so withheld, or any adjustment thereto agreed to by Owner and Contractor, when Contractor remedies the reasons for such action.
3. Upon a subsequent determination that Owner's refusal of payment was not justified, the amount wrongfully withheld shall be treated as an amount due as determined by Paragraph 14.02.C.1 and subject to interest as provided in the Agreement.

14.03 *Contractor's Warranty of Title*

- A. Contractor warrants and guarantees that title to all Work, materials, and equipment covered by any Application for Payment, whether incorporated in the Project or not, will pass to Owner no later than the time of payment free and clear of all Liens.

14.04 *Substantial Completion*

- A. When Contractor considers the entire Work ready for its intended use Contractor shall notify Owner and Engineer in writing that the entire Work is substantially complete (except for items specifically listed by Contractor as incomplete) and request that Engineer issue a certificate of Substantial Completion.
- B. Promptly after Contractor's notification, Owner, Contractor, and Engineer shall make an inspection of the Work to determine the status of completion. If Engineer does not consider the Work substantially complete, Engineer will notify Contractor in writing giving the reasons therefor.
- C. If Engineer considers the Work substantially complete, Engineer will deliver to Owner a tentative certificate of Substantial Completion which shall fix the date of Substantial Completion. There shall be attached to the certificate a tentative list of items to be completed or corrected before

final payment. Owner shall have seven days after receipt of the tentative certificate during which to make written objection to Engineer as to any provisions of the certificate or attached list. If, after considering such objections, Engineer concludes that the Work is not substantially complete, Engineer will, within 14 days after submission of the tentative certificate to Owner, notify Contractor in writing, stating the reasons therefor. If, after consideration of Owner's objections, Engineer considers the Work substantially complete, Engineer will, within said 14 days, execute and deliver to Owner and Contractor a definitive certificate of Substantial Completion (with a revised tentative list of items to be completed or corrected) reflecting such changes from the tentative certificate as Engineer believes justified after consideration of any objections from Owner.

- D. At the time of delivery of the tentative certificate of Substantial Completion, Engineer will deliver to Owner and Contractor a written recommendation as to division of responsibilities pending final payment between Owner and Contractor with respect to security, operation, safety, and protection of the Work, maintenance, heat, utilities, insurance, and warranties and guarantees. Unless Owner and Contractor agree otherwise in writing and so inform Engineer in writing prior to Engineer's issuing the definitive certificate of Substantial Completion, Engineer's aforesaid recommendation will be binding on Owner and Contractor until final payment.
- E. Owner shall have the right to exclude Contractor from the Site after the date of Substantial Completion subject to allowing Contractor reasonable access to remove its property and complete or correct items on the tentative list.

#### 14.05 *Partial Utilization*

- A. Prior to Substantial Completion of all the Work, Owner may use or occupy any substantially completed part of the Work which has specifically been identified in the Contract Documents, or which Owner, Engineer, and Contractor agree constitutes a separately functioning and usable part of the Work that can be used by Owner for its intended purpose without significant interference with Contractor's performance of the remainder of the Work, subject to the following conditions:
  - 1. Owner at any time may request Contractor in writing to permit Owner to use or occupy any such part of the Work which Owner believes to be ready for its intended use and substantially complete. If and when Contractor agrees that such part of the Work is substantially complete, Contractor, Owner, and Engineer will follow the procedures of Paragraph 14.04.A through D for that part of the Work.
  - 2. Contractor at any time may notify Owner and Engineer in writing that Contractor considers any such part of the Work ready for its intended use and substantially complete and request Engineer to issue a certificate of Substantial Completion for that part of the Work.
  - 3. Within a reasonable time after either such request, Owner, Contractor, and Engineer shall make an inspection of that part of the Work to determine its status of completion. If Engineer does not consider that part of the Work to be substantially complete, Engineer will notify Owner and Contractor in writing giving the reasons therefor. If Engineer considers that part of the Work to be substantially complete, the provisions of Paragraph 14.04 will apply with respect to certification of Substantial Completion of that part of the Work and the division of responsibility in respect thereof and access thereto.

4. No use or occupancy or separate operation of part of the Work may occur prior to compliance with the requirements of Paragraph 5.10 regarding property insurance.

#### 14.06 *Final Inspection*

- A. Upon written notice from Contractor that the entire Work or an agreed portion thereof is complete, Engineer will promptly make a final inspection with Owner and Contractor and will notify Contractor in writing of all particulars in which this inspection reveals that the Work is incomplete or defective. Contractor shall immediately take such measures as are necessary to complete such Work or remedy such deficiencies.

#### 14.07 *Final Payment*

##### A. *Application for Payment:*

1. After Contractor has, in the opinion of Engineer, satisfactorily completed all corrections identified during the final inspection and has delivered, in accordance with the Contract Documents, all maintenance and operating instructions, schedules, guarantees, bonds, certificates or other evidence of insurance, certificates of inspection, marked-up record documents (as provided in Paragraph 6.12), and other documents, Contractor may make application for final payment following the procedure for progress payments.
2. The final Application for Payment shall be accompanied (except as previously delivered) by:
  - a. all documentation called for in the Contract Documents, including but not limited to the evidence of insurance required by Paragraph 5.04.B.6;
  - b. consent of the surety, if any, to final payment;
  - c. a list of all Claims against Owner that Contractor believes are unsettled; and
  - d. complete and legally effective releases or waivers (satisfactory to Owner) of all Lien rights arising out of or Liens filed in connection with the Work.
3. In lieu of the releases or waivers of Liens specified in Paragraph 14.07.A.2 and as approved by Owner, Contractor may furnish receipts or releases in full and an affidavit of Contractor that: (i) the releases and receipts include all labor, services, material, and equipment for which a Lien could be filed; and (ii) all payrolls, material and equipment bills, and other indebtedness connected with the Work for which Owner might in any way be responsible, or which might in any way result in liens or other burdens on Owner's property, have been paid or otherwise satisfied. If any Subcontractor or Supplier fails to furnish such a release or receipt in full, Contractor may furnish a bond or other collateral satisfactory to Owner to indemnify Owner against any Lien.

##### B. *Engineer's Review of Application and Acceptance:*

1. If, on the basis of Engineer's observation of the Work during construction and final inspection, and Engineer's review of the final Application for Payment and accompanying

documentation as required by the Contract Documents, Engineer is satisfied that the Work has been completed and Contractor's other obligations under the Contract Documents have been fulfilled, Engineer will, within ten days after receipt of the final Application for Payment, indicate in writing Engineer's recommendation of payment and present the Application for Payment to Owner for payment. At the same time Engineer will also give written notice to Owner and Contractor that the Work is acceptable subject to the provisions of Paragraph 14.09. Otherwise, Engineer will return the Application for Payment to Contractor, indicating in writing the reasons for refusing to recommend final payment, in which case Contractor shall make the necessary corrections and resubmit the Application for Payment.

C. *Payment Becomes Due:*

1. Thirty days after the presentation to Owner of the Application for Payment and accompanying documentation, the amount recommended by Engineer, less any sum Owner is entitled to set off against Engineer's recommendation, including but not limited to liquidated damages, will become due and will be paid by Owner to Contractor.

14.08 *Final Completion Delayed*

- A. If, through no fault of Contractor, final completion of the Work is significantly delayed, and if Engineer so confirms, Owner shall, upon receipt of Contractor's final Application for Payment (for Work fully completed and accepted) and recommendation of Engineer, and without terminating the Contract, make payment of the balance due for that portion of the Work fully completed and accepted. If the remaining balance to be held by Owner for Work not fully completed or corrected is less than the retainage stipulated in the Agreement, and if bonds have been furnished as required in Paragraph 5.01, the written consent of the surety to the payment of the balance due for that portion of the Work fully completed and accepted shall be submitted by Contractor to Engineer with the Application for such payment. Such payment shall be made under the terms and conditions governing final payment, except that it shall not constitute a waiver of Claims.

14.09 *Waiver of Claims*

- A. The making and acceptance of final payment will constitute:
  1. a waiver of all Claims by Owner against Contractor, except Claims arising from unsettled Liens, from defective Work appearing after final inspection pursuant to Paragraph 14.06, from failure to comply with the Contract Documents or the terms of any special guarantees specified therein, or from Contractor's continuing obligations under the Contract Documents; and
  2. a waiver of all Claims by Contractor against Owner other than those previously made in accordance with the requirements herein and expressly acknowledged by Owner in writing as still unsettled.



## ARTICLE 15 – SUSPENSION OF WORK AND TERMINATION

### 15.01 *Owner May Suspend Work*

- A. At any time and without cause, Owner may suspend the Work or any portion thereof for a period of not more than 90 consecutive days by notice in writing to Contractor and Engineer which will fix the date on which Work will be resumed. Contractor shall resume the Work on the date so fixed. Contractor shall be granted an adjustment in the Contract Price or an extension of the Contract Times, or both, directly attributable to any such suspension if Contractor makes a Claim therefor as provided in Paragraph 10.05.

### 15.02 *Owner May Terminate for Cause*

- A. The occurrence of any one or more of the following events will justify termination for cause:
1. Contractor's persistent failure to perform the Work in accordance with the Contract Documents (including, but not limited to, failure to supply sufficient skilled workers or suitable materials or equipment or failure to adhere to the Progress Schedule established under Paragraph 2.07 as adjusted from time to time pursuant to Paragraph 6.04);
  2. Contractor's disregard of Laws or Regulations of any public body having jurisdiction;
  3. Contractor's repeated disregard of the authority of Engineer; or
  4. Contractor's violation in any substantial way of any provisions of the Contract Documents.
- B. If one or more of the events identified in Paragraph 15.02.A occur, Owner may, after giving Contractor (and surety) seven days written notice of its intent to terminate the services of Contractor:
1. exclude Contractor from the Site, and take possession of the Work and of all Contractor's tools, appliances, construction equipment, and machinery at the Site, and use the same to the full extent they could be used by Contractor (without liability to Contractor for trespass or conversion);
  2. incorporate in the Work all materials and equipment stored at the Site or for which Owner has paid Contractor but which are stored elsewhere; and
  3. complete the Work as Owner may deem expedient.
- C. If Owner proceeds as provided in Paragraph 15.02.B, Contractor shall not be entitled to receive any further payment until the Work is completed. If the unpaid balance of the Contract Price exceeds all claims, costs, losses, and damages (including but not limited to all fees and charges of engineers, architects, attorneys, and other professionals and all court or arbitration or other dispute resolution costs) sustained by Owner arising out of or relating to completing the Work, such excess will be paid to Contractor. If such claims, costs, losses, and damages exceed such unpaid balance, Contractor shall pay the difference to Owner. Such claims, costs, losses, and damages incurred by Owner will be reviewed by Engineer as to their reasonableness and, when

so approved by Engineer, incorporated in a Change Order. When exercising any rights or remedies under this Paragraph, Owner shall not be required to obtain the lowest price for the Work performed.

- D. Notwithstanding Paragraphs 15.02.B and 15.02.C, Contractor's services will not be terminated if Contractor begins within seven days of receipt of notice of intent to terminate to correct its failure to perform and proceeds diligently to cure such failure within no more than 30 days of receipt of said notice.
- E. Where Contractor's services have been so terminated by Owner, the termination will not affect any rights or remedies of Owner against Contractor then existing or which may thereafter accrue. Any retention or payment of moneys due Contractor by Owner will not release Contractor from liability.
- F. If and to the extent that Contractor has provided a performance bond under the provisions of Paragraph 5.01.A, the termination procedures of that bond shall supersede the provisions of Paragraphs 15.02.B and 15.02.C.

#### 15.03 *Owner May Terminate For Convenience*

- A. Upon seven days written notice to Contractor and Engineer, Owner may, without cause and without prejudice to any other right or remedy of Owner, terminate the Contract. In such case, Contractor shall be paid for (without duplication of any items):
  - 1. completed and acceptable Work executed in accordance with the Contract Documents prior to the effective date of termination, including fair and reasonable sums for overhead and profit on such Work;
  - 2. expenses sustained prior to the effective date of termination in performing services and furnishing labor, materials, or equipment as required by the Contract Documents in connection with uncompleted Work, plus fair and reasonable sums for overhead and profit on such expenses;
  - 3. all claims, costs, losses, and damages (including but not limited to all fees and charges of engineers, architects, attorneys, and other professionals and all court or arbitration or other dispute resolution costs) incurred in settlement of terminated contracts with Subcontractors, Suppliers, and others; and
  - 4. reasonable expenses directly attributable to termination.
- B. Contractor shall not be paid on account of loss of anticipated profits or revenue or other economic loss arising out of or resulting from such termination.

#### 15.04 *Contractor May Stop Work or Terminate*

- A. If, through no act or fault of Contractor, (i) the Work is suspended for more than 90 consecutive days by Owner or under an order of court or other public authority, or (ii) Engineer fails to act on any Application for Payment within 30 days after it is submitted, or (iii) Owner fails for 30 days

to pay Contractor any sum finally determined to be due, then Contractor may, upon seven days written notice to Owner and Engineer, and provided Owner or Engineer do not remedy such suspension or failure within that time, terminate the Contract and recover from Owner payment on the same terms as provided in Paragraph 15.03.

- B. In lieu of terminating the Contract and without prejudice to any other right or remedy, if Engineer has failed to act on an Application for Payment within 30 days after it is submitted, or Owner has failed for 30 days to pay Contractor any sum finally determined to be due, Contractor may, seven days after written notice to Owner and Engineer, stop the Work until payment is made of all such amounts due Contractor, including interest thereon. The provisions of this Paragraph 15.04 are not intended to preclude Contractor from making a Claim under Paragraph 10.05 for an adjustment in Contract Price or Contract Times or otherwise for expenses or damage directly attributable to Contractor's stopping the Work as permitted by this Paragraph.

## **ARTICLE 16 – DISPUTE RESOLUTION**

### *16.01 Methods and Procedures*

- A. Either Owner or Contractor may request mediation of any Claim submitted to Engineer for a decision under Paragraph 10.05 before such decision becomes final and binding. The mediation will be governed by the Construction Industry Mediation Rules of the American Arbitration Association in effect as of the Effective Date of the Agreement. The request for mediation shall be submitted in writing to the American Arbitration Association and the other party to the Contract. Timely submission of the request shall stay the effect of Paragraph 10.05.E.
- B. Owner and Contractor shall participate in the mediation process in good faith. The process shall be concluded within 60 days of filing of the request. The date of termination of the mediation shall be determined by application of the mediation rules referenced above.
- C. If the Claim is not resolved by mediation, Engineer's action under Paragraph 10.05.C or a denial pursuant to Paragraphs 10.05.C.3 or 10.05.D shall become final and binding 30 days after termination of the mediation unless, within that time period, Owner or Contractor:
  - 1. elects in writing to invoke any dispute resolution process provided for in the Supplementary Conditions; or
  - 2. agrees with the other party to submit the Claim to another dispute resolution process; or
  - 3. gives written notice to the other party of the intent to submit the Claim to a court of competent jurisdiction.

## **ARTICLE 17 – MISCELLANEOUS**

### *17.01 Giving Notice*

- A. Whenever any provision of the Contract Documents requires the giving of written notice, it will be deemed to have been validly given if:

1. delivered in person to the individual or to a member of the firm or to an officer of the corporation for whom it is intended; or
2. delivered at or sent by registered or certified mail, postage prepaid, to the last business address known to the giver of the notice.

17.02 *Computation of Times*

- A. When any period of time is referred to in the Contract Documents by days, it will be computed to exclude the first and include the last day of such period. If the last day of any such period falls on a Saturday or Sunday or on a day made a legal holiday by the law of the applicable jurisdiction, such day will be omitted from the computation.

17.03 *Cumulative Remedies*

- A. The duties and obligations imposed by these General Conditions and the rights and remedies available hereunder to the parties hereto are in addition to, and are not to be construed in any way as a limitation of, any rights and remedies available to any or all of them which are otherwise imposed or available by Laws or Regulations, by special warranty or guarantee, or by other provisions of the Contract Documents. The provisions of this Paragraph will be as effective as if repeated specifically in the Contract Documents in connection with each particular duty, obligation, right, and remedy to which they apply.

17.04 *Survival of Obligations*

- A. All representations, indemnifications, warranties, and guarantees made in, required by, or given in accordance with the Contract Documents, as well as all continuing obligations indicated in the Contract Documents, will survive final payment, completion, and acceptance of the Work or termination or completion of the Contract or termination of the services of Contractor.

17.05 *Controlling Law*

- A. This Contract is to be governed by the law of the state in which the Project is located.

17.06 *Headings*

- A. Article and paragraph headings are inserted for convenience only and do not constitute parts of these General Conditions.



Andrew M. Cuomo, Governor

Roberta Reardon, Commissioner

Town of Chesterfield  
Ryan Burns, Engineer  
Upstate Design  
PO Box 60  
Port Kent NY 12975

Schedule Year 2016 through 2017  
Date Requested 02/01/2017  
PRC# 2017001035

Location Augur Lake  
Project ID# AL2017-1  
Project Type Repair existing dam with precast cellular structure

### PREVAILING WAGE SCHEDULE FOR ARTICLE 8 PUBLIC WORK PROJECT

Attached is the current schedule(s) of the prevailing wage rates and prevailing hourly supplements for the project referenced above. A unique Prevailing Wage Case Number (PRC#) has been assigned to the schedule(s) for your project.

The schedule is effective from July 2016 through June 2017. All updates, corrections, posted on the 1st business day of each month, and future copies of the annual determination are available on the Department's website [www.labor.state.ny.us](http://www.labor.state.ny.us). Updated PDF copies of your schedule can be accessed by entering your assigned PRC# at the proper location on the website.

It is the responsibility of the contracting agency or its agent to annex and make part, the attached schedule, to the specifications for this project, when it is advertised for bids and /or to forward said schedules to the successful bidder(s), immediately upon receipt, in order to insure the proper payment of wages.

Please refer to the "General Provisions of Laws Covering Workers on Public Work Contracts" provided with this schedule, for the specific details relating to other responsibilities of the Department of Jurisdiction.

Upon completion or cancellation of this project, enter the required information and mail **OR** fax this form to the office shown at the bottom of this notice, **OR** fill out the electronic version via the NYSDOL website.

#### NOTICE OF COMPLETION / CANCELLATION OF PROJECT

Date Completed: \_\_\_\_\_ Date Cancelled: \_\_\_\_\_

Name & Title of Representative: \_\_\_\_\_

Phone: (518) 457-5589 Fax: (518) 485-1870  
W. Averell Harriman State Office Campus, Bldg. 12, Room 130, Albany, NY 12240



# General Provisions of Laws Covering Workers on Article 8 Public Work Contracts

## Introduction

The Labor Law requires public work contractors and subcontractors to pay laborers, workers, or mechanics employed in the performance of a public work contract not less than the prevailing rate of wage and supplements (fringe benefits) in the locality where the work is performed.

## Responsibilities of the Department of Jurisdiction

A Department of Jurisdiction (Contracting Agency) includes a state department, agency, board or commission; a county, city, town or village; a school district, board of education or board of cooperative educational services; a sewer, water, fire, improvement and other district corporation; a public benefit corporation; and a public authority awarding a public work contract.

The Department of Jurisdiction (Contracting Agency) awarding a public work contract MUST obtain a Prevailing Rate Schedule listing the hourly rates of wages and supplements due the workers to be employed on a public work project. This schedule may be obtained by completing and forwarding a "Request for wage and Supplement Information" form (PW 39) to the Bureau of Public Work. The Prevailing Rate Schedule MUST be included in the specifications for the contract to be awarded and is deemed part of the public work contract.

Upon the awarding of the contract, the law requires that the Department of Jurisdiction (Contracting Agency) furnish the following information to the Bureau: the name and address of the contractor, the date the contract was let and the approximate dollar value of the contract. To facilitate compliance with this provision of the Labor Law, a copy of the Department's "Notice of Contract Award" form (PW 16) is provided with the original Prevailing Rate Schedule.

The Department of Jurisdiction (Contracting Agency) is required to notify the Bureau of the completion or cancellation of any public work project. The Department's PW 200 form is provided for that purpose.

Both the PW 16 and PW 200 forms are available for completion [online](#).

## Hours

No laborer, worker, or mechanic in the employ of a contractor or subcontractor engaged in the performance of any public work project shall be permitted to work more than eight hours in any day or more than five days in any week, except in cases of extraordinary emergency. The contractor and the Department of Jurisdiction (Contracting Agency) may apply to the Bureau of Public Work for a dispensation permitting workers to work additional hours or days per week on a particular public work project.

There are very few exceptions to this rule. Complete information regarding these exceptions is available on the "[4 Day / 10 Hour Work Schedule](#)" form (PW 30R).

## Wages and Supplements

The wages and supplements to be paid and/or provided to laborers, workers, and mechanics employed on a public work project shall be not less than those listed in the current Prevailing Rate Schedule for the locality where the work is performed. If a prime contractor on a public work project has not been provided with a Prevailing Rate Schedule, the contractor must notify the Department of Jurisdiction (Contracting Agency) who in turn must request an original Prevailing Rate Schedule form the Bureau of Public Work. Requests may be submitted by: mail to NYSDOL, Bureau of Public Work, State Office Bldg. Campus, Bldg. 12, Rm. 130, Albany, NY 12240; Fax to Bureau of Public Work (518) 485-1870; or electronically at the NYSDOL website [www.labor.state.ny.us](http://www.labor.state.ny.us).

Upon receiving the original schedule, the Department of Jurisdiction (Contracting Agency) is REQUIRED to provide complete copies to all prime contractors who in turn MUST, by law, provide copies of all applicable county schedules to each subcontractor and obtain from each subcontractor, an affidavit certifying such schedules were received. If the original schedule expired, the contractor may obtain a copy of the new annual determination from the NYSDOL website [www.labor.state.ny.us](http://www.labor.state.ny.us).

The Commissioner of Labor makes an annual determination of the prevailing rates. This determination is in effect from July 1st through June 30th of the following year. The annual determination is available on the NYSDOL website [www.labor.state.ny.us](http://www.labor.state.ny.us).

## Payrolls and Payroll Records

Every contractor and subcontractor MUST keep original payrolls or transcripts subscribed and affirmed as true under penalty of perjury. Payrolls must be maintained for at least three (3) years from the project's date of completion. At a minimum, payrolls must show the following information for each person employed on a public work project: Name, Address, Last 4 Digits of Social Security Number, Classification(s) in which the worker was employed, Hourly wage rate(s) paid, Supplements paid or provided, and Daily and weekly number of hours worked in each classification.

Every contractor and subcontractor shall submit to the Department of Jurisdiction (Contracting Agency), within thirty (30) days after issuance of its first payroll and every thirty (30) days thereafter, a transcript of the original payrolls, subscribed and affirmed as true under penalty of perjury. The Department of Jurisdiction (Contracting Agency) shall collect, review for facial validity, and maintain such payrolls.

In addition, the Commissioner of Labor may require contractors to furnish, with ten (10) days of a request, payroll records sworn to as their validity and accuracy for public work and private work. Payroll records include, but are not limited to time cards, work description sheets, proof that supplements were provided, cancelled payroll checks and payrolls. Failure to provide the requested information within the allotted ten (10) days will result in the withholding of up to 25% of the contract, not to exceed \$100,000.00. If the contractor or subcontractor does not maintain a place of business in New York State and the amount of the contract exceeds \$25,000.00, payroll records and certifications must be kept on the project worksite.

The prime contractor is responsible for any underpayments of prevailing wages or supplements by any subcontractor.

All contractors or their subcontractors shall provide to their subcontractors a copy of the Prevailing Rate Schedule specified in the public work contract as well as any subsequently issued schedules. A failure to provide these schedules by a contractor or subcontractor is a violation of Article 8, Section 220-a of the Labor Law.

All subcontractors engaged by a public work project contractor or its subcontractor, upon receipt of the original schedule and any subsequently issued schedules, shall provide to such contractor a verified statement attesting that the subcontractor has received the Prevailing Rate Schedule and will pay or provide the applicable rates of wages and supplements specified therein. (See NYS Labor Laws, Article 8 . Section 220-a).

### **Determination of Prevailing Wage and Supplement Rate Updates Applicable to All Counties**

The wages and supplements contained in the annual determination become effective July 1st whether or not the new determination has been received by a given contractor. Care should be taken to review the rates for obvious errors. Any corrections should be brought to the Department's attention immediately. It is the responsibility of the public work contractor to use the proper rates. If there is a question on the proper classification to be used, please call the district office located nearest the project. Any errors in the annual determination will be corrected and posted to the NYSOL website on the first business day of each month. Contractors are responsible for paying these updated rates as well, retroactive to July 1st.

When you review the schedule for a particular occupation, your attention should be directed to the dates above the column of rates. These are the dates for which a given set of rates is effective. To the extent possible, the Department posts rates in its possession that cover periods of time beyond the July 1st to June 30th time frame covered by a particular annual determination. Rates that extend beyond that instant time period are informational ONLY and may be updated in future annual determinations that actually cover the then appropriate July 1st to June 30th time period.

### **Withholding of Payments**

When a complaint is filed with the Commissioner of Labor alleging the failure of a contractor or subcontractor to pay or provide the prevailing wages or supplements, or when the Commissioner of Labor believes that unpaid wages or supplements may be due, payments on the public work contract shall be withheld from the prime contractor in a sufficient amount to satisfy the alleged unpaid wages and supplements, including interest and civil penalty, pending a final determination.

When the Bureau of Public Work finds that a contractor or subcontractor on a public work project failed to pay or provide the requisite prevailing wages or supplements, the Bureau is authorized by Sections 220-b and 235.2 of the Labor Law to so notify the financial officer of the Department of Jurisdiction (Contracting Agency) that awarded the public work contract. Such officer MUST then withhold or cause to be withheld from any payment due the prime contractor on account of such contract the amount indicated by the Bureau as sufficient to satisfy the unpaid wages and supplements, including interest and any civil penalty that may be assessed by the Commissioner of Labor. The withholding continues until there is a final determination of the underpayment by the Commissioner of Labor or by the court in the event a legal proceeding is instituted for review of the determination of the Commissioner of Labor.

The Department of Jurisdiction (Contracting Agency) shall comply with this order of the Commissioner of Labor or of the court with respect to the release of the funds so withheld.

### **Summary of Notice Posting Requirements**

The current Prevailing Rate Schedule must be posted in a prominent and accessible place on the site of the public work project. The prevailing wage schedule must be encased in, or constructed of, materials capable of withstanding adverse weather conditions and be titled "PREVAILING RATE OF WAGES" in letters no smaller than two (2) inches by two (2) inches.

The "[Public Work Project](#)" notice must be posted at the beginning of the performance of every public work contract, on each job site.



Every employer providing workers. compensation insurance and disability benefits must post notices of such coverage in the format prescribed by the Workers. Compensation Board in a conspicuous place on the jobsite.

Every employer subject to the NYS Human Rights Law must conspicuously post at its offices, places of employment, or employment training centers, notices furnished by the State Division of Human Rights.

Employers liable for contributions under the Unemployment Insurance Law must conspicuously post on the jobsite notices furnished by the NYS Department of Labor.

## **Apprentices**

Employees cannot be paid apprentice rates unless they are individually registered in a program registered with the NYS Commissioner of Labor. The allowable ratio of apprentices to journeyworkers in any craft classification can be no greater than the statewide building trade ratios promulgated by the Department of Labor and included with the Prevailing Rate Schedule. An employee listed on a payroll as an apprentice who is not registered as above or is performing work outside the classification of work for which the apprentice is indentured, must be paid the prevailing journeyworker's wage rate for the classification of work the employee is actually performing.

NYSDOL Labor Law, Article 8, Section 220-3, require that only apprentices individually registered with the NYS Department of Labor may be paid apprenticeship rates on a public work project. No other Federal or State Agency of office registers apprentices in New York State.

Persons wishing to verify the apprentice registration of any person must do so in writing by mail, to the NYSDOL Office of Employability Development / Apprenticeship Training, State Office Bldg. Campus, Bldg. 12, Albany, NY 12240 or by Fax to NYSDOL Apprenticeship Training (518) 457-7154. All requests for verification must include the name and social security number of the person for whom the information is requested.

The only conclusive proof of individual apprentice registration is written verification from the NYSDOL Apprenticeship Training Albany Central office. Neither Federal nor State Apprenticeship Training offices outside of Albany can provide conclusive registration information.

It should be noted that the existence of a registered apprenticeship program is not conclusive proof that any person is registered in that program. Furthermore, the existence or possession of wallet cards, identification cards, or copies of state forms is not conclusive proof of the registration of any person as an apprentice.

## **Interest and Penalties**

In the event that an underpayment of wages and/or supplements is found:

- Interest shall be assessed at the rate then in effect as prescribed by the Superintendent of Banks pursuant to section 14-a of the Banking Law, per annum from the date of underpayment to the date restitution is made.
- A Civil Penalty may also be assessed, not to exceed 25% of the total of wages, supplements, and interest due.

## **Debarment**

Any contractor or subcontractor and/or its successor shall be ineligible to submit a bid on or be awarded any public work contract or subcontract with any state, municipal corporation or public body for a period of five (5) years when:

- Two (2) willful determinations have been rendered against that contractor or subcontractor and/or its successor within any consecutive six (6) year period.
- There is any willful determination that involves the falsification of payroll records or the kickback of wages or supplements.

## **Criminal Sanctions**

Willful violations of the Prevailing Wage Law (Article 8 of the Labor Law) may be a felony punishable by fine or imprisonment of up to 15 years, or both.

## **Discrimination**

No employee or applicant for employment may be discriminated against on account of age, race, creed, color, national origin, sex, disability or marital status.

No contractor, subcontractor nor any person acting on its behalf, shall by reason of race, creed, color, disability, sex or national origin discriminate against any citizen of the State of New York who is qualified and available to perform the work to which the employment relates (NYS Labor Law, Article 8, Section 220-e(a)).

No contractor, subcontractor, nor any person acting on its behalf, shall in any manner, discriminate against or intimidate any employee on account of race, creed, color, disability, sex, or national origin (NYS Labor Law, Article 8, Section 220-e(b)).

The Human Rights Law also prohibits discrimination in employment because of age, marital status, or religion.

There may be deducted from the amount payable to the contractor under the contract a penalty of \$50.00 for each calendar day during which such person was discriminated against or intimidated in violation of the provision of the contract (NYS Labor Law, Article 8, Section 220-e(c) ).

The contract may be cancelled or terminated by the State or municipality. All monies due or to become due thereunder may be forfeited for a second or any subsequent violation of the terms or conditions of the anti-discrimination sections of the contract (NYS Labor Law, Article 8, Section 220-e(d) ).

Every employer subject to the New York State Human Rights Law must conspicuously post at its offices, places of employment, or employment training centers notices furnished by the State Division of Human Rights.

### **Workers' Compensation**

In accordance with Section 142 of the State Finance Law, the contractor shall maintain coverage during the life of the contract for the benefit of such employees as required by the provisions of the New York State Workers' Compensation Law.

A contractor who is awarded a public work contract must provide proof of workers' compensation coverage prior to being allowed to begin work.

The insurance policy must be issued by a company authorized to provide workers' compensation coverage in New York State. Proof of coverage must be on form C-105.2 (Certificate of Workers' Compensation Insurance) and must name this agency as a certificate holder.

If New York State coverage is added to an existing out-of-state policy, it can only be added to a policy from a company authorized to write workers' compensation coverage in this state. The coverage must be listed under item 3A of the information page.

The contractor must maintain proof that subcontractors doing work covered under this contract secured and maintained a workers' compensation policy for all employees working in New York State.

Every employer providing worker's compensation insurance and disability benefits must post notices of such coverage in the format prescribed by the Workers' Compensation Board in a conspicuous place on the jobsite.

### **Unemployment Insurance**

Employers liable for contributions under the Unemployment Insurance Law must conspicuously post on the jobsite notices furnished by the New York State Department of Labor.



Andrew M. Cuomo, Governor

Roberta Reardon, Commissioner

Town of Chesterfield  
Ryan Burns, Engineer  
Upstate Design  
PO Box 60  
Port Kent NY 12975

Schedule Year 2016 through 2017  
Date Requested 02/01/2017  
PRC# 2017001035

Location Augur Lake  
Project ID# AL2017-1  
Project Type Repair existing dam with precast cellular structure

### Notice of Contract Award

New York State Labor Law, Article 8, Section 220.3a requires that certain information regarding the awarding of public work contracts, be furnished to the Commissioner of Labor. One "Notice of Contract Award" (PW 16, which may be photocopied), **MUST** be completed for **EACH** prime contractor on the above referenced project.

Upon notifying the successful bidder(s) of this contract, enter the required information and mail **OR** fax this form to the office shown at the bottom of this notice, **OR** fill out the electronic version via the NYSDOL website.

### Contractor Information

All information must be supplied

Federal Employer Identification Number: _____		
Name: _____		
Address: _____ _____		
City: _____	State: _____	Zip: _____
Amount of Contract: \$ _____	Contract Type:	
Approximate Starting Date: ____/____/____	<input type="checkbox"/> (01) General Construction	
Approximate Completion Date: ____/____/____	<input type="checkbox"/> (02) Heating/Ventilation	
	<input type="checkbox"/> (03) Electrical	
	<input type="checkbox"/> (04) Plumbing	
	<input type="checkbox"/> (05) Other : _____	

Phone: (518) 457-5589 Fax: (518) 485-1870  
W. Averell Harriman State Office Campus, Bldg. 12, Room 130, Albany, NY 12240



# IMPORTANT NOTICE

FOR

## CONTRACTORS & CONTRACTING AGENCIES

### Social Security Numbers on Certified Payrolls

The Department of Labor is cognizant of the concerns of the potential for misuse or inadvertent disclosure of social security numbers. Identity theft is a growing problem and we are sympathetic to contractors' concerns with regard to inclusion of this information on payrolls if another identifier will suffice.

For these reasons, *the substitution of the use of the last four digits of the social security number on certified payrolls submitted to contracting agencies on public work projects is now acceptable to the Department of Labor.*

**NOTE:** This change does not affect the Department's ability to request and receive the entire social security number from employers during the course of its public work / prevailing wage investigations.

**To all State Departments, Agency Heads and Public Benefit Corporations  
IMPORTANT NOTICE REGARDING PUBLIC WORK ENFORCEMENT FUND**

## **Budget Policy & Reporting Manual**

# **B-610**

### **Public Work Enforcement Fund**

*effective date December 7, 2005*

---

#### **1. Purpose and Scope:**

This Item describes the Public Work Enforcement Fund (the Fund, PWEF) and its relevance to State agencies and public benefit corporations engaged in construction or reconstruction contracts, maintenance and repair, and announces the recently-enacted increase to the percentage of the dollar value of such contracts that must be deposited into the Fund. This item also describes the roles of the following entities with respect to the Fund:

- New York State Department of Labor (DOL),
- The Office of the State of Comptroller (OSC), and
- State agencies and public benefit corporations.

#### **2. Background and Statutory References:**

DOL uses the Fund to enforce the State's Labor Law as it relates to contracts for construction or reconstruction, maintenance and repair, as defined in subdivision two of Section 220 of the Labor Law. State agencies and public benefit corporations participating in such contracts are required to make payments to the Fund.

Chapter 511 of the Laws of 1995 (as amended by Chapter 513 of the Laws of 1997, Chapter 655 of the Laws of 1999, Chapter 376 of the Laws of 2003 and Chapter 407 of the Laws of 2005) established the Fund.

#### **3. Procedures and Agency Responsibilities:**

The Fund is supported by transfers and deposits based on the value of contracts for construction and reconstruction, maintenance and repair, as defined in subdivision two of Section 220 of the Labor Law, into which all State agencies and public benefit corporations enter.

Chapter 407 of the Laws of 2005 increased the amount required to be provided to this fund to .10 of one-percent of the total cost of each such contract, to be calculated at the time agencies or public benefit corporations enter into a new contract or if a contract is amended. The provisions of this bill became effective August 2, 2005.

**To all State Departments, Agency Heads and Public Benefit Corporations  
IMPORTANT NOTICE REGARDING PUBLIC WORK ENFORCEMENT FUND**

OSC will report to DOL on all construction-related ("D") contracts approved during the month, including contract amendments, and then DOL will bill agencies the appropriate assessment monthly. An agency may then make a determination if any of the billed contracts are exempt and so note on the bill submitted back to DOL. For any instance where an agency is unsure if a contract is or is not exempt, they can call the Bureau of Public Work at the number noted below for a determination. Payment by check or journal voucher is due to DOL within thirty days from the date of the billing. DOL will verify the amounts and forward them to OSC for processing.

For those contracts which are not approved or administered by the Comptroller, monthly reports and payments for deposit into the Public Work Enforcement Fund must be provided to the Administrative Finance Bureau at the DOL within 30 days of the end of each month or on a payment schedule mutually agreed upon with DOL.

Reports should contain the following information:

- Name and billing address of State agency or public benefit corporation;
- State agency or public benefit corporation contact and phone number;
- Name and address of contractor receiving the award;
- Contract number and effective dates;
- Contract amount and PWEF assessment charge (if contract amount has been amended, reflect increase or decrease to original contract and the adjustment in the PWEF charge); and
- Brief description of the work to be performed under each contract.

Checks and Journal Vouchers, payable to the "New York State Department of Labor" should be sent to:

Department of Labor  
Administrative Finance Bureau-PWEF Unit  
Building 12, Room 464  
State Office Campus  
Albany, NY 12240

Any questions regarding billing should be directed to NYSDOL's Administrative Finance Bureau-PWEF Unit at (518) 457-3624 and any questions regarding Public Work Contracts should be directed to the Bureau of Public Work at (518) 457-5589.

# **Construction Industry Fair Play Act**

## **Required Posting For Labor Law Article 25-B § 861-d**

Construction industry employers must post the "Construction Industry Fair Play Act" notice in a prominent and accessible place on the job site.

Failure to post the notice can result in penalties of up to \$1,500 for a first offense and up to \$5,000 for a second offense.

The posting is included as part of this wage schedule. Additional copies may be obtained from the NYS DOL website, [www.labor.ny.gov](http://www.labor.ny.gov).

If you have any questions concerning the Fair Play Act, please call the State Labor Department toll-free at 1-866-435-1499 or email us at: [dol.misclassified@labor.state.ny.us](mailto:dol.misclassified@labor.state.ny.us) .





New York State Department of Labor  
Required Notice under Article 25-B of the Labor Law

**ATTENTION ALL EMPLOYEES, CONTRACTORS AND SUBCONTRACTORS:  
YOU ARE COVERED BY THE  
CONSTRUCTION INDUSTRY FAIR PLAY ACT**

**The law says that you are an employee unless:**

- You are free from direction and control in performing your job AND
- You perform work that is not part of the usual work done by the business that hired you AND
- You have an independently established business

Your employer cannot consider you to be an independent contractor unless all three of these facts apply to your work.

**IT IS AGAINST THE LAW FOR AN EMPLOYER TO MISCLASSIFY EMPLOYEES AS  
INDEPENDENT CONTRACTORS OR PAY EMPLOYEES OFF-THE-BOOKS.**

**Employee rights.** If you are an employee:

- You are entitled to state and federal worker protections such as
  - unemployment benefits, if unemployed through no fault of your own, able to work, and otherwise qualified
  - workers' compensation benefits for on-the-job injuries
  - payment for wages earned, minimum wage, and overtime (under certain conditions)
  - prevailing wages on public work projects
  - the provisions of the National Labor Relations Act and
  - a safe work environment
- It is a violation of this law for employers to retaliate against anyone who asserts their rights under the law. Retaliation subjects an employer to civil penalties, a private lawsuit or both.

**Independent Contractors:** If you are an independent contractor:

- You must pay all taxes required by New York State and Federal Law.

**Penalties** for paying off-the-books or improperly treating employees as independent contractors:

- **Civil Penalty**                      First Offense: up to \$2,500 per employee.  
    Subsequent Offense(s): up to \$5,000 per employee.
- **Criminal Penalty**                First Offense: Misdemeanor - up to 30 days in jail, up to a \$25,000 fine and debarment from performing Public Work for up to one year.  
    Subsequent Offense(s): Misdemeanor - up to 60 days in jail, up to a \$50,000 fine and debarment from performing Public Work for up to 5 years.

**If you have questions about your employment status or believe that your employer may have violated your rights and you want to file a complaint, call the Department of Labor at 1(866)435-1499 or send an email to [dol.misclassified@labor.state.ny.us](mailto:dol.misclassified@labor.state.ny.us). All complaints of fraud and violations are taken seriously and you can remain anonymous.**

**Employer Name:**

# WORKER NOTIFICATION

(Labor Law §220, paragraph a of subdivision 3-a)

*Effective February 24, 2008*

This provision is an addition to the existing prevailing wage rate law, Labor Law §220, paragraph a of subdivision 3-a. It requires contractors and subcontractors to provide written notice to all laborers, workers or mechanics of the *prevailing wage rate* for their particular job classification *on each pay stub*\*. It also requires contractors and subcontractors to *post a notice* at the beginning of the performance of every public work contract *on each job site* that includes the telephone number and address for the Department of Labor and a statement informing laborers, workers or mechanics of their right to contact the Department of Labor if he/she is not receiving the proper prevailing rate of wages and/or supplements for his/her particular job classification. The required notification will be provided with each wage schedule, may be downloaded from our website [www.labor.state.ny.us](http://www.labor.state.ny.us) or made available upon request by contacting the Bureau of Public Work at 518-457-5589.

\* In the event that the required information will not fit on the pay stub, an accompanying sheet or attachment of the information will suffice.

# Attention Employees

**THIS IS A: PUBLIC WORK PROJECT**

If you are employed on this project as a **worker, laborer, or mechanic** you are entitled to receive the **prevailing wage and supplements rate** for the classification at which you are working.

Chapter 629 of the Labor Laws of 2007:

**These wages are set by law and must be posted at the work site. They can also be found at:**  
[www.labor.ny.gov](http://www.labor.ny.gov)

If you feel that you have not received proper wages or benefits, please call our nearest office.\*

Albany	(518) 457-2744	Patchogue	(631) 687-4882
Binghamton	(607) 721-8005	Rochester	(585) 258-4505
Buffalo	(716) 847-7159	Syracuse	(315) 428-4056
Garden City	(516) 228-3915	Utica	(315) 793-2314
New York City	(212) 932-2419	White Plains	(914) 997-9507
Newburgh	(845) 568-5156		

\* For New York City government agency construction projects, please contact the Office of the NYC Comptroller at (212) 669-4443, or [www.comptroller.nyc.gov](http://www.comptroller.nyc.gov) – click on Bureau of Labor Law.

Contractor Name: \_\_\_\_\_

Project Location: \_\_\_\_\_



# **OSHA 10-hour Construction Safety and Health Course – S1537-A**

*Effective July 18, 2008*

This provision is an addition to the existing prevailing wage rate law, Labor Law §220, section 220-h. It requires that on all public work projects of at least \$250,000.00, all laborers, workers and mechanics working on the site, be certified as having successfully completed the OSHA 10-hour construction safety and health course. It further requires that the advertised bids and contracts for every public work contract of at least \$250,000.00, contain a provision of this requirement.

***NOTE: The OSHA 10 Legislation only applies to workers on a public work project that are required, under Article 8, to receive the prevailing wage.***

## Where to find OSHA 10-hour Construction Course

1. NYS Department of Labor website for scheduled outreach training at:

[www.labor.state.ny.us/workerprotection/safetyhealth/DOSH\\_ONSITE\\_CONSULTATION.shtm](http://www.labor.state.ny.us/workerprotection/safetyhealth/DOSH_ONSITE_CONSULTATION.shtm)

2. OSHA Training Institute Education Centers:

### **Rochester Institute of Technology OSHA Education Center**

Rochester, NY

Donna Winter

Fax (585) 475-6292

e-mail: [dlwtpo@rit.edu](mailto:dlwtpo@rit.edu)

(866) 385-7470 Ext. 2919

[www.rit.edu/~outreach/course.php3?CourseID=54](http://www.rit.edu/~outreach/course.php3?CourseID=54)

### **Atlantic OSHA Training Center**

UMDNJ – School of Public Health

Piscataway, NJ

Janet Crooks

Fax (732) 235-9460

e-mail: [crooksje@umdnj.edu](mailto:crooksje@umdnj.edu)

(732) 235-9455

<https://ophp.umdnj.edu/wconnect/ShowSchedule.awp?~~GROUP~AOTCON~10~>

### **Atlantic OSHA Training Center**

University at Buffalo

Buffalo, New York

Joe Syracuse

Fax (716) 829-2806

e-mail: [mailto:japs@buffalo.edu](mailto:mailto:japs@buffalo.edu)

(716) 829-2125

[http://www.smbs.buffalo.edu/CENTERS/trc/schedule\\_OSHA.php](http://www.smbs.buffalo.edu/CENTERS/trc/schedule_OSHA.php)

### **Keene State College**

Manchester, NH

Leslie Singleton

e-mail: [lsingletin@keene.edu](mailto:lsingletin@keene.edu)

(800) 449-6742

[www.keene.edu/courses/print/courses\\_osh.cfm](http://www.keene.edu/courses/print/courses_osh.cfm)

3. List of trainers and training schedules for OSHA outreach training at:

[www.OutreachTrainers.org](http://www.OutreachTrainers.org)

# Requirements for OSHA 10 Compliance

Chapter 282 of the Laws of 2007, codified as Labor Law 220-h took effect on July 18, 2008. The statute provides as follows:

The advertised specifications for every contract for public work of \$250,000.00 or more must contain a provision requiring that every worker employed in the performance of a public work contract shall be certified as having completed an OSHA 10 safety training course. The clear intent of this provision is to require that all employees of public work contractors, required to be paid prevailing rates, receive such training “prior to the performing any work on the project.”

The Bureau will enforce the statute as follows:

All contractors and sub contractors must attach a copy of proof of completion of the OSHA 10 course to the first certified payroll submitted to the contracting agency and on each succeeding payroll where any new or additional employee is first listed.

Proof of completion may include but is not limited to:

- Copies of bona fide course completion card (*Note: Completion cards do not have an expiration date.*)
- Training roster, attendance record of other documentation from the certified trainer pending the issuance of the card.
- Other valid proof

\*\*A certification by the employer attesting that all employees have completed such a course is not sufficient proof that the course has been completed.

Any questions regarding this statute may be directed to the New York State Department of Labor, Bureau of Public Work at 518-485-5696.

# WICKS Reform 2008

(For all contracts advertised or solicited for bid on or after 7/1/08)

- Raises the threshold for public work projects subject to the Wicks Law requiring separate specifications and bidding for the plumbing, heating and electrical work. The total project's threshold would increase from \$50,000 to: \$3 million in Bronx, Kings, New York, Queens and Richmond counties; \$1.5 million in Nassau, Suffolk and Westchester counties; and \$500,000 in all other counties.
- For projects below the monetary threshold, bidders must submit a sealed list naming each subcontractor for the plumbing, HVAC and electrical work and the amount to be paid to each. The list may not be changed unless the public owner finds a legitimate construction need, including a change in specifications or costs or use of a Project Labor Agreement (PLA), and must be open to public inspection.
- Allows the state and local agencies and authorities to waive the Wicks Law and use a PLA if it will provide the best work at the lowest possible price. If a PLA is used, all contractors shall participate in apprentice training programs in the trades of work it employs that have been approved by the Department of Labor (DOL) for not less than three years. They shall also have at least one graduate in the last three years and use affirmative efforts to retain minority apprentices. PLA's would be exempt from Wicks, but deemed to be public work subject to prevailing wage enforcement.
- The Commissioner of Labor shall have the power to enforce separate specification requirements on projects, and may issue stop-bid orders against public owners for non-compliance.
- Other new monetary thresholds, and similar sealed bidding for non-Wicks projects, would apply to certain public authorities including municipal housing authorities, NYC Construction Fund, Yonkers Educational Construction Fund, NYC Municipal Water Finance Authority, Buffalo Municipal Water Finance Authority, Westchester County Health Care Association, Nassau County Health Care Corp., Clifton-Fine Health Care Corp., Erie County Medical Center Corp., NYC Solid Waste Management Facilities, and the Dormitory Authority.
- Reduces from 15 to 7 days the period in which contractors must pay subcontractors.



## **IMPORTANT INFORMATION**

### **Regarding Use of Form PW30R**

**“Employer Registration for Use of 4 Day / 10 Hour Work Schedule”**

### **To use the ‘4 Day / 10 Hour Work Schedule’:**

There **MUST** be a *Dispensation of Hours (PW30)* in place on the project

***AND***

You **MUST** register your intent to work 4 / 10 hour days, by completing the PW30R Form.

***REMEMBER...***

The ‘4 Day / 10 Hour Work Schedule’ applies **ONLY** to Job Classifications and Counties listed on the PW30R Form.

Do not write in any additional Classifications or Counties.

**(Please note :** For each Job Classification check the individual wage schedule for specific details regarding their 4/10 hour day posting.)

# Instructions for Completing Form PW30R

## “Employer Registration for Use of 4 Day / 10 Hour Work Schedule”

### ***Before completing Form PW30R check to be sure ...***

- There is a *Dispensation of Hours* in place on the project.
- The 4 Day / 10 Hour Work Schedule applies to the Job Classifications you will be using.
- The 4 Day / 10 Hour Work Schedule applies to the County / Counties where the work will take place.

### **Instructions (Type or Print legibly):**

#### Contractor Information:

- Enter the Legal Name of the business, FEIN, Street Address, City, State, Zip Code; the Company’s Phone and Fax numbers; and the Company’s email address (if applicable)
- Enter the Name of a Contact Person for the Company along with their Phone and Fax numbers, and the personal email address (if applicable)

#### Project Information:

- Enter the Prevailing Rate Case number (PRC#) assigned to this project
- Enter the Project Name / Type (i.e. Smithtown CSD – Replacement of HS Roof)
- Enter the Exact Location of Project (i.e. Smithtown HS, 143 County Route #2, Smithtown,NY; Bldgs. 1 & 2)
- If you are a Subcontractor, enter the name of the Prime Contractor for which you work
- On the Checklist of Job Classifications -
  - Go to pages 2 and 3 of the form
  - Place a checkmark in the box to the right of the Job Classification you are choosing
  - Mark all Job Classifications that apply

\*\*\**Do not write in any additional Classifications or Counties.*\*\*\*

#### Requestor Information:

- Enter the name of the person submitting the registration, their title with the company , and the date the registration is filled out

#### Return Completed Form:

- **Mail** the completed PW30R form (3 pages) to: NYSDOL Bureau of Public Work, SOBC – Bldg.12 – Rm.130, Albany, NY 12240 **-OR-**
- **Fax** the completed PW30R form (3 pages) to: NYSDOL Bureau of Public Work at (518)485-1870

**Bureau of Public Work**  
Harriman State Office Campus  
Building 12 - Room 130  
Albany, New York 12240  
Phone - (518) 457-5589 Fax - (518) 485-1870

## Employer Registration for Use of 4 Day / 10 Hour Work Schedule

*Before completing Form PW30R check to be sure ...*

There is a *Dispensation of Hours* in place on the project.

The 4 Day / 10 Hour Work Schedule applies to the Job Classifications you will be using.

The 4 Day / 10 Hour Work Schedule applies to the County / Counties where the work will take place.

### Please Type or Print the Requested Information

*When completed ...*

Mail to NYSDOL Bureau of Public Work, SOBC, Bldg. 12, Rm.130, Albany, NY 12240

-or-

Fax to NYSDOL Bureau of Public Work at (518) 485-1870

### Contractor Information

Company Name: \_\_\_\_\_ FEIN: \_\_\_\_\_

Address: \_\_\_\_\_

City: \_\_\_\_\_ State: \_\_\_\_\_ Zip Code: \_\_\_\_\_

Phone Number \_\_\_\_\_ Fax Number: \_\_\_\_\_ Email Address: \_\_\_\_\_

Contact Person: \_\_\_\_\_

Phone No: \_\_\_\_\_ Fax No: \_\_\_\_\_ Email: \_\_\_\_\_

### Project Information

Project PRC#: \_\_\_\_\_ Project Name/Type: \_\_\_\_\_

Exact Location  
of Project: \_\_\_\_\_ County: \_\_\_\_\_

(If you are Subcontractor)

Prime Contractor Name: \_\_\_\_\_

Job Classification(s) to Work 4/10 Schedule: (Choose all that apply on Job Classification Checklist - Pages 3 -7)  
\*\*\* Do not write in any additional Classifications or Counties\*\*\*

### Requestor Information

Name: \_\_\_\_\_

Title: \_\_\_\_\_ Date : \_\_\_\_\_

**Please use the list below with the number assigned to each county as a reference to the corresponding numbers listed in the following pages under "Entire Counties" & "Partial Counties".**

- |     |                             |     |                                 |
|-----|-----------------------------|-----|---------------------------------|
| 1.  | Albany County               | 33. | Oneida County                   |
| 2.  | Allegany County             | 34. | Onondaga County                 |
| 3.  | Bronx County                | 35. | Ontario County                  |
| 4.  | Broome County               | 36. | Orange County                   |
| 5.  | Cattaraugus County          | 37. | Orleans County                  |
| 6.  | Cayuga County               | 38. | Oswego County                   |
| 7.  | Chautauqua County           | 39. | Otsego County                   |
| 8.  | Chemung County              | 40. | Putnam County                   |
| 9.  | Chenango County             | 41. | Queens County                   |
| 10. | Clinton County              | 42. | Rensselaer County               |
| 11. | Columbia County             | 43. | Richmond County (Staten Island) |
| 12. | Cortland County             | 44. | Rockland County                 |
| 13. | Delaware County             | 45. | Saint Lawrence County           |
| 14. | Dutchess County             | 46. | Saratoga County                 |
| 15. | Erie County                 | 47. | Schenectady County              |
| 16. | Essex County                | 48. | Schoharie County                |
| 17. | Franklin County             | 49. | Schuyler County                 |
| 18. | Fulton county               | 50. | Seneca County                   |
| 19. | Genesee County              | 51. | Steuben County                  |
| 20. | Greene County               | 52. | Suffolk County                  |
| 21. | Hamilton County             | 53. | Sullivan County                 |
| 22. | Herkimer County             | 54. | Tioga County                    |
| 23. | Jefferson County            | 55. | Tompkins County                 |
| 24. | Kings County (Brooklyn)     | 56. | Ulster County                   |
| 25. | Lewis County                | 57. | Warren county                   |
| 26. | Livingston County           | 58. | Washington County               |
| 27. | Madison County              | 59. | Wayne County                    |
| 28. | Monroe County               | 60. | Westchester County              |
| 29. | Montgomery County           | 61. | Wyoming County                  |
| 30. | Nassau County               | 62. | Yates County                    |
| 31. | New York County (Manhattan) |     |                                 |
| 32. | Niagara County              |     |                                 |

## Job Classification Checklist

(Place a checkmark by all classifications that will be using the 4/10 schedule)

\*\*\* Do not write in any additional Classifications or Counties\*\*\*

<b>Job Classification</b>	<b>Tag #</b>	<b>Entire Counties</b>	<b>Partial Counties</b>	<b>Check Box</b>
Carpenter-Building	276B-All	7	2, 5	<input type="checkbox"/>
Carpenter-Building	276B-Cat	15	5	<input type="checkbox"/>
Carpenter - Building	276-B--LIV	26, 28, 35, 59	61	<input type="checkbox"/>
Carpenter-Building	276B-Gen	19, 32, 37	61	<input type="checkbox"/>
Carpenter-Floor Layers	276B-FL-Liv	26, 28, 35, 59	61	<input type="checkbox"/>
Carpenter-Heavy&Highway	276HH-All	2, 5, 7		<input type="checkbox"/>
Carpenter-Heavy&Highway	276HH-Erie	15		<input type="checkbox"/>
Carpenter-Heavy&Highway	276HH- Gen	19, 32, 37, 61		<input type="checkbox"/>
Carpenter-Heavy&Highway	276HH-Liv	26, 28, 35, 59		<input type="checkbox"/>
Carpenter-Residential	276R-All	7	2, 5	<input type="checkbox"/>
Carpenter - Building	277B-Bro	4, 54		<input type="checkbox"/>
Carpenter - Building	277B-CAY	6, 50, 62		<input type="checkbox"/>
Carpenter - Building	277B-CS	8, 12, 49, 51, 55	2	<input type="checkbox"/>
Carpenter - Building	277 JLS	23, 25, 45		<input type="checkbox"/>
Carpenter - Building	277 omh	22, 27, 33		<input type="checkbox"/>
Carpenter - Building	277 On	34		<input type="checkbox"/>
Carpenter - Building	277 Os	38		<input type="checkbox"/>
Carpenter - Building	277CDO Bldg	9, 13, 39		<input type="checkbox"/>
Carpenter - Heavy&Highway	277CDO HH	9, 13, 39		<input type="checkbox"/>
Carpenter - Heavy&Highway	277HH-BRO	4, 6, 8, 12, ,22, 23, 25, 27, 33, 34, 38, 45, 49, 50, 51, 54, 55, 62		<input type="checkbox"/>
Carpenter - Building	291B-Alb	1, 18, 20, 29, 42, 47, 48		<input type="checkbox"/>
Carpenter - Building	291B-Cli	10, 16, 17		<input type="checkbox"/>
Carpenter - Building	291B-Ham	21, 57, 58		<input type="checkbox"/>
Carpenter - Building	291B-Sar	46		<input type="checkbox"/>
Carpenter - Heavy&Highway	291HH-Alb	1, 10, 16, 17,18, 20, 21, 29, 42, 46, 47, 48, 57, 58		<input type="checkbox"/>
Electrician	25m	30, 52		<input type="checkbox"/>
Electrician-Teledata Cable Splicer	43	12, 22, 27, 33, 38	6, 9, 34, 39, 55, 59	<input type="checkbox"/>

## Job Classification Checklist

(Place a checkmark by all classifications that will be using the 4/10 schedule)

\*\*\* Do not write in any additional Classifications or Counties\*\*\*

<b>Job Classification</b>	<b>Tag #</b>	<b>Entire Counties</b>	<b>Partial Counties</b>	<b>Check Box</b>
Electrician	86	26, 28	19, 35, 37, 59, 61	<input type="checkbox"/>
Electrician	840Teledata and 840 Z1	62	6, 34, 35, 50, 59	<input type="checkbox"/>
Electrician	910	10, 16, 17, 23, 25, 45		<input type="checkbox"/>
Electrician Lineman	1049Line/Gas	30, 41, 52		<input type="checkbox"/>
Electrician Lineman	1249a	1, 2, 4, 5, 6, 7, 8, 9, 10, 11, 12, 13, 14, 15, 16, 17, 18, 19, 20, 21, 22, 23, 25, 26, 27, 28, 29, 32, 33, 34, 35, 36, 37, 38, 39, 40, 42, 44, 46, 47, 48, 49, 50, 45, 51, 53, 54, 55, 56, 57, 58, 59, 61, 62		<input type="checkbox"/>
Electrical Lineman	1249a West	60		<input type="checkbox"/>
Electrical Lineman	1249a-LT	1, 2, 4, 5, 6, 7, 8, 9, 10, 12, 13, 15, 16, 17, 18, 19, 20, 21, 22, 23, 25, 26, 27, 28, 29, 32, 33, 34, 35, 37, 38, 39, 42, 46, 47, 48, 49, 50, 45, 51, 53, 54, 55, 57, 58, 59, 61, 62		<input type="checkbox"/>
Electrical Lineman	1249aREG8LT	11, 14, 36, 40, 44, 56		<input type="checkbox"/>
Electrical Lineman	1249aWestLT	60		<input type="checkbox"/>
Elevator Constructor	138	11, 14, 20, 36, 40, 53, 56	13, 44, 60	<input type="checkbox"/>
Elevator Constructor	14	2, 5, 7, 15, 19, 32, 37, 61		<input type="checkbox"/>
Elevator Constructor	27	8, 26, 28, 35, 49, 50, 51, 59, 62		<input type="checkbox"/>
Elevator Constructor	35	1, 10, 16, 18, 21, 22, 29, 39, 42, 46, 47, 48, 57, 58		<input type="checkbox"/>
Elevator Constructor	62.1	4, 6, 9, 12, 23, 25, 27, 33, 34, 38, 45, 54, 55	13	<input type="checkbox"/>
Glazier	201	1, 10, 11, 16, 17, 18, 20, 21, 29, 42, 46, 47, 48, 57, 58		<input type="checkbox"/>
Glazier	660r	2, 5, 7, 15, 19, 32, 37, 61		<input type="checkbox"/>
Glazier	660	2, 5, 7, 15, 19, 32, 37, 61		<input type="checkbox"/>
Glazier	677.1	23, 25, 26, 28, 35, 45, 50, 59, 62		<input type="checkbox"/>
Glazier	677Z-2	6, 12, 22, 27, 33, 34, 38		<input type="checkbox"/>
Glazier	677z3	4, 8, 9, 13, 39, 49, 51, 54, 55		<input type="checkbox"/>
Glazier	677r.2	6, 12, 22, 27, 33, 34, 38		<input type="checkbox"/>
Insulator - Heat & Frost	30-Syracuse	4, 6, 8, 9, 12, 22, 23, 25, 27, 33, 34, 38, 39, 49, 50, 45, 54, 55		<input type="checkbox"/>
Laborers- Tunnel	157	47	18, 29, 46	<input type="checkbox"/>
Laborers- Heavy & Highway	157h/h	47	18, 29, 46	<input type="checkbox"/>

## Job Classification Checklist

**(Place a checkmark by all classifications that will be using the 4/10 schedule)**

*\*\*\* Do not write in any additional Classifications or Counties\*\*\**

<b>Job Classification</b>	<b>Tag #</b>	<b>Entire Counties</b>	<b>Partial Counties</b>	<b>Check Box</b>
Laborers- Heavy & Highway	1822/2h	10,16,57		<input type="checkbox"/>
Laborers- Heavy & Highway	1822/2h(2)	17, 23, 25, 45		<input type="checkbox"/>
Laborers- Tunnel	35T	21, 22, 27, 33	18, 29	<input type="checkbox"/>
Laborers- Tunnel	190	1, 42, 58	11, 20, 46	<input type="checkbox"/>
Laborers- Heavy & Highway	190 h/h	1, 42, 58	11, 20, 46	<input type="checkbox"/>
Laborers- Heavy & Highway	35/2h	21, 22, 27, 33	18, 29	<input type="checkbox"/>
Laborers- Tunnel	35T	21, 22, 27, 33	18, 29	<input type="checkbox"/>
Laborers- Heavy & Highway	633hON	34		<input type="checkbox"/>
Laborers- Heavy & Highway	633hOS	38		<input type="checkbox"/>
Laborers- Heavy & Highway	633h Cay	6		<input type="checkbox"/>
Laborers- building	633 bON	34		<input type="checkbox"/>
Laborers- building	633b Cay	6		<input type="checkbox"/>
Laborers- building	633bOS	38		<input type="checkbox"/>
Laborers- Heavy & Highway	785h	12, 55	49, 54	<input type="checkbox"/>
Laborers - Building	785(7)	4	9, 13, 54	<input type="checkbox"/>
Laborers - Building	785B-CS	8, 51	49	<input type="checkbox"/>
Laborers- Heavy & Highway	7-785b	12, 55	49, 54	<input type="checkbox"/>
Laborers Heavy & Highway	785(7)	4	9, 13, 54	<input type="checkbox"/>
Laborer - Heavy & Highway	785HH-CS	8, 51	49	<input type="checkbox"/>
Laborer - Building	621b	2, 7	5	<input type="checkbox"/>
Laborer - Residential	621r	2, 7	5	<input type="checkbox"/>

# Job Classification Checklist

**(Place a checkmark by all classifications that will be using the 4/10 schedule)**

*\*\*\* Do not write in any additional Classifications or Counties\*\*\**

<b>Job Classification</b>	<b>Tag #</b>	<b>Entire Counties</b>	<b>Partial Counties</b>	<b>Check Box</b>
Mason-Building	2TS.1	1, 10,11, 16, 17, 18, 20, 21, 29, 42, 46, 47, 48, 57, 58		<input type="checkbox"/>
Mason-Building	2TS.2	22, 23, 25, 33, 45	27	<input type="checkbox"/>
Mason-Building	2TS.3	6, 34, 38	27	<input type="checkbox"/>
Mason-Building	2b-on	34		<input type="checkbox"/>
Mason-Building	2b.1	1, 11, 18, 20, 21, 29, 42, 46, 47, 48, 58	57	<input type="checkbox"/>
Mason-Building	2b.2	22, 33	25	<input type="checkbox"/>
Mason-Building	2b.3	6, 34	27	<input type="checkbox"/>
Mason-Building	2b.4	38		<input type="checkbox"/>
Mason-Building	2b.5	23	25	<input type="checkbox"/>
Mason-Building	2b.6	45		<input type="checkbox"/>
Mason-Building	2b.8	10, 16, 17	57	<input type="checkbox"/>
Mason-Building	2b.5	23	25	<input type="checkbox"/>
Mason-Building	2b.6	45		<input type="checkbox"/>
Mason-Building	2b.8	10, 16, 17	57	<input type="checkbox"/>
Mason-Building	3b-Co-Z2	8, 49, 51	2	<input type="checkbox"/>
Mason-Building	3B-Z1	19, 26, 28, 35, 50, 59, 61, 62		<input type="checkbox"/>
Mason-Building-Residential	3B-Z1R	19, 26, 28, 35, 50, 59, 61, 62		<input type="checkbox"/>
Mason-Building	3B-Bing-Z2	4, 9, 13, 39, 54		<input type="checkbox"/>
Mason-Building	3B-lth-Z2	12, 55		<input type="checkbox"/>
				<input type="checkbox"/>
				<input type="checkbox"/>
				<input type="checkbox"/>
				<input type="checkbox"/>
				<input type="checkbox"/>
				<input type="checkbox"/>



## Job Classification Checklist

(Place a checkmark by all classifications that will be using the 4/10 schedule)

\*\*\* Do not write in any additional Classifications or Counties\*\*\*

<b>Job Classification</b>	<b>Tag #</b>	<b>Entire Counties</b>	<b>Partial Counties</b>	<b>Check Box</b>
Mason-Building	3B-Jam-Z2	7	2, 5	<input type="checkbox"/>
Mason-Building-Residential	3B-Jam-Z2R	2, 4, 8, 7, 9, 12, 39, 13, 49, 51, 54, 55	5	<input type="checkbox"/>
Mason-Building	3B-Z3	15, 32	5	<input type="checkbox"/>
Mason-Building	3B-Z3.Orleans	37		<input type="checkbox"/>
Mason-Residential	3B-Z3R	15, 32	5	<input type="checkbox"/>
Mason-Residential	3B-Z3R.Orleans	37		<input type="checkbox"/>
Mason-Heavy Highway	3h	2, 4, 8, 7, 9, 12, 13, 19, 26, 28, 35, 37, 39, 49, 50, 51, 54, 55, 59, 61, 62	5, 15, 32	<input type="checkbox"/>
Mason-Tile Finisher	3TF-Z1	19, 26, 28, 35, 50, 59, 61, 62		<input type="checkbox"/>
Mason-Tile Finisher	3TF-Z2	2, 4, 8, 7, 9, 12, 13, 39, 49, 51, 54, 55	5	<input type="checkbox"/>
Mason-Tile Finisher	3TF-Z3	15, 32, 37	5	<input type="checkbox"/>
Mason-Tile Finisher	3TF-Z1R	19, 26, 28, 35, 50, 59, 61, 62		<input type="checkbox"/>
Mason-Tile Finisher	3TF-Z2R	2, 4, 7, 9, 12, 13, 39, 49, 51, 54, 55	5	<input type="checkbox"/>
Mason-Tile Finisher	3TF-Z3R	15, 32, 37	5	<input type="checkbox"/>
Mason-Tile Setter	3TS-Z1	19, 26, 28, 35, 50, 59, 61, 62		<input type="checkbox"/>
Mason-Tile Setter Residential	3TS-Z1R	19, 26, 28, 35, 50, 59, 61, 62		<input type="checkbox"/>
Mason-Tile Setter	3TS-Z2	2, 4, 7, 8, 9, 12, 13, 39, 49, 51, 54, 55	5	<input type="checkbox"/>
Mason-Tile Setter Residential	3TS-Z2R	2, 4, 7, 8, 9, 12, 13, 39, 49, 51, 54, 55	5	<input type="checkbox"/>
Mason-Tile Setter Residential	3TS-Z3R	15, 32, 37	5	<input type="checkbox"/>
Mason - Building/Heavy&Highway	780	3, 24, 30, 31, 41, 43, 52		<input type="checkbox"/>
Operating Engineer - Heavy/Highway	137H/H	40, 60	14	<input type="checkbox"/>
Operating Engineer - Heavy& Highway	158-832H	2, 8, 26, 28, 35, 49, 51, 59, 62	19	<input type="checkbox"/>
Operating Engineer - Heavy& Highway	158-H/H	1, 4, 9, 10, 11, 14, 16, 17, 18, 20, 21, 22, 29, 39, 42, 46, 47, 48, 54, 57, 58		<input type="checkbox"/>
Operating Engineer - Heavy& Highway	158-545h	6, 12, 23, 25, 27, 33, 38, 45, 50, 55		<input type="checkbox"/>
Painter	1456-LS	1, 3, 10, 11, 14, 16, 17, 18, 20, 21, 24, 29, 30, 31, 36, 40, 41, 42, 43, 44, 46, 47, 48, 52, 53, 56, 57, 58, 60		<input type="checkbox"/>
Painter	150	28, 59, 62	26, 35	<input type="checkbox"/>

## Job Classification Checklist

(Place a checkmark by all classifications that will be using the 4/10 schedule)

\*\*\* Do not write in any additional Classifications or Counties\*\*\*

<b>Job Classification</b>	<b>Tag #</b>	<b>Entire Counties</b>	<b>Partial Counties</b>	<b>Check Box</b>
Painter	178 B	4, 9, 54		<input type="checkbox"/>
Painter	178 E	8, 49	51	<input type="checkbox"/>
Painter	178 I	12, 55		<input type="checkbox"/>
Painter	178 O	13, 39		<input type="checkbox"/>
Painter	31	6, 22, 27, 33, 34, 50	25, 35, 38	<input type="checkbox"/>
Painter	38.O		38	<input type="checkbox"/>
Painter	38.W	23, 45	25	<input type="checkbox"/>
Painter	4-Buf,Nia,Olean	2, 15, 19, 32, 37, 61	5, 7, 26, 51	<input type="checkbox"/>
Painter	4-Jamestown		5, 7	<input type="checkbox"/>
Painter	38.O		38	<input type="checkbox"/>
Painter	38.W	23, 45	25	<input type="checkbox"/>
Painter	4-Buf,Nia,Olean	2, 15, 19, 32, 37, 61	5, 7, 26, 51	<input type="checkbox"/>
Painter	4-Jamestown		5, 7	<input type="checkbox"/>
Sheetmetal Worker	46	26, 28, 35, 50, 59, 62		<input type="checkbox"/>
Sheetmetal Worker	46r	26, 28, 35, 50, 59, 62		<input type="checkbox"/>
Teamsters-Heavy&Highway	294h/h	1, 11, 18, 20, 29, 42, 46, 47, 48, 58	57	<input type="checkbox"/>
Teamsters-Heavy&Highway	317bhh	6, 12, 50, 51, 55, 62	2	<input type="checkbox"/>
Teamsters-Building/Heavy&Highway	456	40, 60		<input type="checkbox"/>

## Introduction to the Prevailing Rate Schedule

### Information About Prevailing Rate Schedule

This information is provided to assist you in the interpretation of particular requirements for each classification of worker contained in the attached Schedule of Prevailing Rates.

#### Classification

It is the duty of the Commissioner of Labor to make the proper classification of workers taking into account whether the work is heavy and highway, building, sewer and water, tunnel work, or residential, and to make a determination of wages and supplements to be paid or provided. It is the responsibility of the public work contractor to use the proper rate. If there is a question on the proper classification to be used, please call the district office located nearest the project. District office locations and phone numbers are listed below.

Prevailing Wage Schedules are issued separately for "General Construction Projects" and "Residential Construction Projects" on a county-by-county basis.

General Construction Rates apply to projects such as: Buildings, Heavy & Highway, and Tunnel and Water & Sewer rates.

Residential Construction Rates generally apply to construction, reconstruction, repair, alteration, or demolition of one family, two family, row housing, or rental type units intended for residential use.

Some rates listed in the Residential Construction Rate Schedule have a very limited applicability listed along with the rate. Rates for occupations or locations not shown on the residential schedule must be obtained from the General Construction Rate Schedule. Please contact the local Bureau of Public Work office before using Residential Rate Schedules, to ensure that the project meets the required criteria.

#### Paid Holidays

Paid Holidays are days for which an eligible employee receives a regular day's pay, but is not required to perform work. If an employee works on a day listed as a paid holiday, this remuneration is in addition to payment of the required prevailing rate for the work actually performed.

#### Overtime

At a minimum, all work performed on a public work project in excess of eight hours in any one day or more than five days in any workweek is overtime. However, the specific overtime requirements for each trade or occupation on a public work project may differ. Specific overtime requirements for each trade or occupation are contained in the prevailing rate schedules.

Overtime holiday pay is the premium pay that is required for work performed on specified holidays. It is only required where the employee actually performs work on such holidays.

The applicable holidays are listed under HOLIDAYS: OVERTIME. The required rate of pay for these covered holidays can be found in the OVERTIME PAY section listings for each classification.

#### Supplemental Benefits

Particular attention should be given to the supplemental benefit requirements. In most cases the payment or provision of supplements is for each hour worked (noted in the schedule as 'Per hour worked'). Some classifications require the payment or provision of supplements for each hour paid (noted in the schedule as 'Per hour paid'), which require supplements to be paid or provided at a premium rate for premium hours worked. Some classifications may also require the payment or provision of supplements for paid holidays on which no work is performed.

#### Effective Dates

When you review the schedule for a particular occupation, your attention should be directed to the dates above the column of rates. These are the dates for which a given set of rates is effective. The rate listed is valid until the next effective rate change or until the new annual determination which takes effect on July 1 of each year. All contractors and subcontractors are required to pay the current prevailing rates of wages and supplements. If you have any questions please contact the Bureau of Public Work or visit the New York State Department of Labor website ([www.labor.state.ny.us](http://www.labor.state.ny.us)) for current wage rate information.

#### Apprentice Training Ratios

The following are the allowable ratios of registered Apprentices to Journey-workers.

For example, the ratio 1:1,1:3 indicates the allowable initial ratio is one Apprentice to one Journeyworker. The Journeyworker must be in place on the project before an Apprentice is allowed. Then three additional Journeyworkers are needed before a second Apprentice is allowed. The last ratio repeats indefinitely. Therefore, three more Journeyworkers must be present before a third Apprentice can be hired, and so on.

Please call Apprentice Training Central Office at (518) 457-6820 if you have any questions.

Title (Trade)	Ratio
Boilermaker (Construction)	1:1,1:4
Boilermaker (Shop)	1:1,1:3
Carpenter (Bldg.,H&H, Pile Driver/Dockbuilder)	1:1,1:4
Carpenter (Residential)	1:1,1:3

Electrical (Outside) Lineman	1:1,1:2
Electrician (Inside)	1:1,1:3
Elevator/Escalator Construction & Modernizer	1:1,1:2
Glazier	1:1,1:3
Insulation & Asbestos Worker	1:1,1:3
Iron Worker	1:1,1:4
Laborer	1:1,1:3
Mason	1:1,1:4
Millwright	1:1,1:4
Op Engineer	1:1,1:5
Painter	1:1,1:3
Plumber & Steamfitter	1:1,1:3
Roofer	1:1,1:2
Sheet Metal Worker	1:1,1:3
Sprinkler Fitter	1:1,1:2

If you have any questions concerning the attached schedule or would like additional information, please contact the nearest BUREAU of PUBLIC WORK District Office or write to:

New York State Department of Labor  
Bureau of Public Work  
State Office Campus, Bldg. 12  
Albany, NY 12240

District Office Locations:	Telephone #	FAX #
Bureau of Public Work - Albany	518-457-2744	518-485-0240
Bureau of Public Work - Binghamton	607-721-8005	607-721-8004
Bureau of Public Work - Buffalo	716-847-7159	716-847-7650
Bureau of Public Work - Garden City	516-228-3915	516-794-3518
Bureau of Public Work - Newburgh	845-568-5287	845-568-5332
Bureau of Public Work - New York City	212-932-2419	212-775-3579
Bureau of Public Work - Patchogue	631-687-4882	631-687-4902
Bureau of Public Work - Rochester	585-258-4505	585-258-4708
Bureau of Public Work - Syracuse	315-428-4056	315-428-4671
Bureau of Public Work - Utica	315-793-2314	315-793-2514
Bureau of Public Work - White Plains	914-997-9507	914-997-9523
Bureau of Public Work - Central Office	518-457-5589	518-485-1870

**Essex County General Construction**

**Boilermaker** **02/01/2017**

**JOB DESCRIPTION** Boilermaker **DISTRICT 1**

**ENTIRE COUNTIES**  
 Albany, Broome, Chenango, Columbia, Delaware, Essex, Fulton, Greene, Hamilton, Herkimer, Montgomery, Otsego, Rensselaer, Saratoga, Schenectady, Schoharie, Tioga, Warren, Washington

**WAGES**

Per hour	07/01/2016	01/01/2017
Boilermaker	\$ 33.39	\$ 34.54

**SUPPLEMENTAL BENEFITS**

Per hour worked		
Journeymen	\$ 24.03* + 1.24	\$ 24.03* + 1.24

\* This portion of the benefit is subject to the SAME PREMIUM as shown for overtime.

**OVERTIME PAY**

See (B, E, Q) on OVERTIME PAGE

**HOLIDAY**

Paid: See (1) on HOLIDAY PAGE  
 Overtime: See (5, 6, 15, 25) on HOLIDAY PAGE

Note: When a holiday falls on Sunday, the day observed by the State or Nation shall be observed, and when Christmas Day and New Year's fall on Saturday, Friday will be observed as the holiday.

**REGISTERED APPRENTICES**

Wages per hour								
( 1/2 ) year terms at the following percentage of Journeyman's wage.								
1st	2nd	3rd	4th	5th	6th	7th	8th	
65%	65%	70%	75%	80%	85%	90%	95%	

Supplemental Benefits per hour worked

All Apprentices get same benefits as Journeyman.

1-197

**Carpenter - Building** **02/01/2017**

**JOB DESCRIPTION** Carpenter - Building **DISTRICT 2**

**ENTIRE COUNTIES**  
 Clinton, Essex, Franklin

**WAGES**

Per hour:	07/01/2016	01/01/2017	07/01/2017 Additional	01/01/2018 Additional
Carpenter	\$ 25.75	\$ 26.03	\$ 0.60	\$ 0.40
Floor Coverer	25.75	26.03	0.60	0.40
Carpet Layer	25.75	26.03	0.60	0.40
Dry-Wall	25.75	26.03	0.60	0.40
Lather	25.75	26.03	0.60	0.40
Piledriver	26.00	26.28	0.60	0.40
Diver-Wet Day	61.25	61.25	0.00	0.00
Diver -Dry Day	26.75	27.03	0.60	0.40
Diver Tender	26.75	27.03	0.60	0.40

NOTE ADDITIONAL PREMIUMS PAID FOR THE FOLLOWING WORK LISTED BELOW:

- Certified welders shall receive \$1.00 per hour over the journeyman's rate of pay when the employee is required to be certified and performs DOT or ABS specified welding work
- When an employee performs work within a contaminated area on a State and/or Federally designated hazardous waste site, and where relevant State and/or Federal regulations require employees to be furnished and use or wear required forms of personal protection, then the employee shall receive his regular hourly rate plus \$1.50 per hour.
- Depth pay for Divers based upon deepest depth on the day of the dive:

- 0' to 80' no additional fee
- 81'to 100' additional \$.50 per foot
- 101'to 150' additional \$0.75 per foot
- 151'and deeper additional \$1.25 per foot

- Penetration pay for Divers based upon deepest penetration on the day of the dive:

- 0' to 50' no additional fee
- 51' to 100' additional \$.75 per foot
- 101' and deeper additional \$1.00 per foot

Four (4), ten (10) hour days may be worked at straight time during a week, Monday thru Thursday. Friday may be used as a make-up day.

NOTE - In order to use the '4 Day/10 Hour Work schedule', as your normal schedule, you must submit an 'Employer Registration for Use of 4 Day/10 Hour Work Schedule,' form PW30R; and there must be a dispensation of hours in place on the project. If the PW30R is not submitted you may be liable for overtime payments for work over 8 hours per day.

**SUPPLEMENTAL BENEFITS**

Per hour worked:

Journeyman                                 \$ 18.92                                 \$ 19.04

**OVERTIME PAY**

See (B, E, \*E2, Q) on OVERTIME PAGE

\* Note - Saturday is payable at straight time if the employee misses work, except where a doctor's or hospital verification of illness is produced Monday through Friday when work was available to the employee.

**HOLIDAY**

Paid:   See (1) on HOLIDAY PAGE

Overtime:                                 See (5, 6) on HOLIDAY PAGE

Note: Any holiday which occurs on Sunday shall be observed the following Monday. If Christmas falls on a Saturday, it shall be observed on the prior Friday.

**REGISTERED APPRENTICES**

Wages per hour

**FOR APPRENTICES INDENTURED PRIOR TO JANUARY 1, 2016**

One year terms at the following percentage of Journeyman's base wage

1st	2nd	3rd	4th
50%	60%	70%	80%

Supplemental Benefits per hour worked plus paid holidays:

1st year term	\$ 10.51	\$ 10.61
2nd year term	10.51	10.61
3rd year term	13.11	13.21
4th year term	13.11	13.21

**FOR APPRENTICES INDENTURED AFTER TO JANUARY 1, 2016**

1,300 hour terms at the following percentage of Journeyman's base wage

1st	2nd	3rd	4th	5th
50%	60%	65%	70%	80%

Supplemental Benefits per hour worked plus paid holidays:

1st year term	\$ 10.51	\$ 10.61
2nd year term	10.51	10.61
3rd year term	13.11	13.21
4th year term	13.11	13.21
5th year term	13.11	13.21

2-291B-Cli

**Carpenter - Building / Heavy&Highway**

**02/01/2017**

**JOB DESCRIPTION** Carpenter - Building / Heavy&Highway

**DISTRICT 2**

**ENTIRE COUNTIES**

Albany, Allegany, Broome, Cattaraugus, Cayuga, Chautauqua, Chemung, Chenango, Clinton, Columbia, Cortland, Delaware, Erie, Essex, Franklin, Fulton, Genesee, Greene, Hamilton, Herkimer, Jefferson, Lewis, Livingston, Madison, Monroe, Montgomery, Niagara, Oneida, Onondaga, Ontario, Orleans, Oswego, Otsego, Rensselaer, Saratoga, Schenectady, Schoharie, Schuyler, Seneca, St. Lawrence, Steuben, Sullivan, Tioga, Tompkins, Ulster, Warren, Washington, Wayne, Wyoming, Yates

**PARTIAL COUNTIES**

Orange: The area lying on Northern side of Orange County demarcated by a line drawn from the Bear Mountain Bridge continuing east to the Bear Mountain Circle, continue North on 9W to the town of Cornwall where County Road 107 (also known as Quaker Rd) crosses under 9W, then east on County Road 107 to Route 32, then north on Route 32 to Orrs Mills Rd, then west on Orrs Mills Rd to Route 94, continue west and south on Route 94 to the Town of Chester, to the intersection of Kings Highway, continue south on Kings Highway to Bellvale Rd, west on Bellvale Rd to Bellvale Lakes Rd, then south on Bellvale Lakes Rd to Kain Rd, southeast on Kain Rd to Route 17A, then north and southeast along Route 17A to Route 210, then follow Route 210 to NJ Border.

**WAGES**

Wages per hour:

	07/01/2016	07/01/2017	07/01/2018
Carpenter - ONLY for Artificial Turf/Synthetic Sport Surface	\$ 29.10	Additional \$ 1.50	Additional \$ 1.50

Note - Does not include the operation of equipment. Please see Operating Engineers rates.

**SUPPLEMENTAL BENEFITS**

Per hour worked plus paid holidays:

Journeyman	\$ 20.73
------------	----------

**OVERTIME PAY**

See (B, E, Q) on OVERTIME PAGE

**HOLIDAY**

Paid: See (2, 17) on HOLIDAY PAGE  
 Overtime: See (5, 6, 16) on HOLIDAY PAGE

Notes:

When a holiday falls upon a Saturday, it shall be observed on the preceding Friday. When a holiday falls upon a Sunday, it shall be observed on the following Monday.

An employee taking an unexcused day off the regularly scheduled day before or after a paid Holiday shall not receive Holiday pay.

**REGISTERED APPRENTICES**

Wages per hour:

One year terms at the following percentage of Journeyman's wage:

1st	2nd	3rd	4th
50%	60%	70%	80%

Supplemental Benefits per hour paid:

1st year term	\$ 10.70
2nd year term	10.70
3rd year term	13.30
4th year term	13.30

2-42AtSS

**Carpenter - Heavy&Highway**

**02/01/2017**

**JOB DESCRIPTION** Carpenter - Heavy&Highway

**DISTRICT 2**

**ENTIRE COUNTIES**

Albany, Clinton, Essex, Franklin, Fulton, Greene, Hamilton, Montgomery, Rensselaer, Saratoga, Schenectady, Schoharie, Warren, Washington

**WAGES**

Per hour	07/01/2016	07/01/2017	07/01/2018
Carpenter	\$ 29.85	Additional \$ 1.50	Additional \$ 1.50
Millwright	31.35	1.50	1.50
Piledriver	29.85	1.50	1.50
Diver-Wet Day	54.85	1.50	1.50
Diver-Dry Day	30.85	1.50	1.50
Diver-Tender	30.85	1.50	1.50

NOTE ADDITIONAL PREMIUMS PAID FOR THE FOLLOWING WORK LISTED BELOW:

- When project owner mandates a single irregular work shift, the employee will receive an additional \$2.00 per hour. A single irregular work shift can start any time from 5:00 p.m. to 1:00 a.m.
- State or Federal designated hazardous site, requiring protective gear shall be an additional \$2.00 per hour.
- Certified welders when required to perform welding work will receive an additional \$1.50 per hour.
- Divers and Tenders shall receive one and one half (1 1/2) times their regular diver and tender rate of pay for Effluent and Slurry diving.
- Divers and tenders being paid at the specified rate for Effluent and Slurry diving shall have all overtime rates based on the specified rate plus the appropriate overtime rates (one and one half or two times the specified rate for Slurry and Effluent divers and tenders).
- The pilot of an ADS or submersible will receive one and one-half (1 1/2) times the Diver-Wet Day Rate for time submerged.
- Depth pay for Divers based upon deepest depth on the day of the dive:
  - 0' to 50' no additional fee
  - 51'to 100' additional \$.50 per foot
  - 101'to 150' additional \$.75 per foot
  - 151'and deeper additional \$1.25 per foot
- Penetration pay for Divers based upon deepest penetration on the day of the dive:

0' to 50' no additional fee  
 51' to 100' additional \$.75 per foot  
 101' and deeper additional \$1.00 per foot

- Diver rates applies to all hours worked on dive day.

Four (4), ten (10) hour days may be worked at straight time during a week, Monday thru Friday, provided the project duration is more than forty (40) hours.

NOTE - In order to use the '4 Day/10 Hour Work schedule', as your normal schedule, you must submit an 'Employer Registration for Use of 4 Day/10 Hour Work Schedule,' form PW30R; and there must be a dispensation of hours in place on the project. If the PW30R is not submitted you may be liable for overtime payments for work over 8 hours per day.

**SUPPLEMENTAL BENEFITS**

Per hour worked plus paid holidays:

Journeyman \$ 19.98

**OVERTIME PAY**

See (B, E, Q) on OVERTIME PAGE

**HOLIDAY**

Paid: See (2, 17) on HOLIDAY PAGE

Overtime: See (5, 6) on HOLIDAY PAGE

In the event a Holiday falls on a Saturday, the Friday before will be observed as a Holiday. If a Holiday falls on a Sunday, then Monday will be observed as a Holiday.

**REGISTERED APPRENTICES**

Wages per hour

**FOR APPRENTICES INDENTURED PRIOR TO JANUARY 1, 2016**

One year terms at the following percentage of Journeyman's base wage

1st	2nd	3rd	4th
50%	60%	70%	80%

Supplemental Benefits per hour worked plus paid holidays:

1st year term	\$ 10.57
2nd year term	10.57
3rd year term	13.17
4th year term	13.17

**FOR APPRENTICES INDENTURED AFTER TO JANUARY 1, 2016**

1,300 hour terms at the following percentage of Journeyman's base wage

1st	2nd	3rd	4th	5th
50%	60%	65%	70%	80%

Supplemental Benefits per hour worked plus paid holidays:

1st year term	\$ 10.57
2nd year term	10.57
3rd year term	13.17
4th year term	13.17
5th year term	13.17

2-291HH-Alb

**Electrician**

**02/01/2017**

**JOB DESCRIPTION** Electrician

**DISTRICT 6**

**ENTIRE COUNTIES**

Clinton, Essex, Franklin, Jefferson, Lewis, St. Lawrence

**WAGES**

Per hour:	07/01/2016	04/01/2017
		Additional
Electrician	\$ 33.00	\$ 1.25
Teledata	33.00	1.25
Cable Splicer	34.50	1.25
Welder	34.50	1.25

NOTE: Additional premiums for the following work listed:

-Additional \$1.50 per hour for work performed underground such as tunnels and mine shafts. Excludes manholes and walkway tunnels between buildings.

-Additional \$1.50 per hour for working 35 feet or more on scaffolds, ladders, towers, steeples, structural steel; or mechanical lifts over 65 feet.



Shift Work: The following rates will apply on all Contracting Agency mandated shifts worked between the hours listed below. The employer may be permitted to adjust the starting hours of the shift by up to two (2) hours if required by the agency. If a shift begins outside of the stated shift hours, the rate paid would be determined by what shift the majority of the hours were worked.

1st shift: 8:00 AM to 4:30 PM Regular wage rate  
 2nd shift: 4:30 PM to 1:00 AM Regular wage rate plus 17.3%  
 3rd shift: 12:30 AM to 9:00 AM Regular wage rate plus 31.4%

**\*\* IMPORTANT NOTICE - EFFECTIVE 07/01/2012 \*\***

Four (4), ten (10) hour days may be worked at straight time during a week, Monday thru Thursday. Friday may be used as a make-up day. NOTE - In order to use the '4 Day/10 Hour Work schedule', as your normal schedule, you must submit an 'Employer Registration for Use of 4 Day/10 Hour Work Schedule,' form PW30R; and there must be a dispensation of hours in place on the project. If the PW30R is not submitted you may be liable for overtime payments for work over 8 hours per day.

**SUPPLEMENTAL BENEFITS**

Per hour paid:  
 Journeyman \$ 19.23  
 \*plus 3% of gross wage

\* NOTE: THE 3% IS BASED ON THE HOURLY WAGE PAID ON STRAIGHT TIME RATE OR PREMIUM TIME RATE.

**OVERTIME PAY**

See (B, E, Q) on OVERTIME PAGE

**HOLIDAY**

Paid: See (1) on HOLIDAY PAGE  
 Overtime: See (5, 6) on HOLIDAY PAGE

**REGISTERED APPRENTICES**

WAGES: Hourly terms at the following percentage of Journeyman's wage.

	1-1000 40%	to 2000 45%	to 3500 50%	to 5000 60%	to 6500 70%	to 8000 80%
Electrician	\$13.20	\$14.85	\$16.50	\$19.80	\$23.10	\$26.40
Cable Splicer, Tunnel	\$14.70	\$16.35	\$18.00	\$21.30	\$24.60	\$27.90

SUPPLEMENTAL BENEFITS per hour worked:

Appr 1st & 2nd term \$ 9.57  
 \* plus 3% of gross wage  
 Appr All other terms \$ 19.23  
 \* plus 3% of gross wage

\* NOTE: THE 3% IS BASED ON THE HOURLY WAGE PAID ON STRAIGHT TIME RATE OR PREMIUM TIME RATE.

6-910

**Elevator Constructor**

**02/01/2017**

**JOB DESCRIPTION** Elevator Constructor

**DISTRICT 1**

**ENTIRE COUNTIES**

Albany, Clinton, Essex, Fulton, Hamilton, Herkimer, Montgomery, Otsego, Rensselaer, Saratoga, Schenectady, Schoharie, Warren, Washington

**PARTIAL COUNTIES**

Madison: Only the towns of: Brookfield, Hamilton, Lincoln, Madison, Smithfield and Stockbridge.  
 Oneida: Entire county except the towns of: Camden, Florence, and Brookfield.

**WAGES**

Per hour	07/01/2016	01/01/2017 Additional
Mechanic	\$ 42.33	\$ 2.49
Helper	70% of Mechanic Wage Rate	70% of Mechanic Wage Rate

\*\*\*\* IMPORTANT NOTICE - EFFECTIVE 04/01/2009 \*\*\*\*

Four (4), ten (10) hour days may be worked at straight time during a week, Monday thru Thursday.

NOTE - In order to use the '4 Day/10 Hour Work schedule', as your normal schedule, you must submit an 'Employer Registration for Use of 4 Day/10 Hour Work Schedule,' form PW30R; and there must be a dispensation of hours in place on the project. If the PW30R is not submitted you may be liable for overtime payments for work over 8 hours per day.

**SUPPLEMENTAL BENEFITS**

Per hour worked

07/01/2016

Journeyman/Helper

\$ 29.985\*

(\*)Plus 6% of gross wages if less than 5 years service

(\*)Plus 8% of gross wages if more than 5 years service

**OVERTIME PAY**

See (D, O) on OVERTIME PAGE

**HOLIDAY**

Paid: See (5, 6, 15, 16) on HOLIDAY PAGE

Overtime: See (5, 6, 15, 16) on HOLIDAY PAGE

Note: When a paid holiday falls on Saturday, it shall be observed on Friday. When a paid holiday falls on Sunday, it shall be observed on Monday.

**REGISTERED APPRENTICES**

Wages per hour

0-6 mo\*

50%

\*No supplemental benefits

6-12 mo	2nd yr	3rd yr	4th yr
55 %	65 %	70 %	80 %

Supplemental Benefits per hour worked

Same as Journeyman/Helper

1-35

**Glazier**

**02/01/2017**

**JOB DESCRIPTION** Glazier

**DISTRICT 1**

**ENTIRE COUNTIES**

Albany, Clinton, Columbia, Essex, Franklin, Fulton, Greene, Hamilton, Montgomery, Rensselaer, Saratoga, Schenectady, Schoharie, Warren, Washington

**WAGES**

Per hour

07/01/2016

05/01/2017

05/01/2018

Additional

Additional

\$1.50

\$1.50

Glazier base wage

\$ 26.80

+ additional \$1.75 per hour for all hours worked

\*High Work Base Wage

30.05

\$1.25

+ additional \$3.50 per hour for all hours worked

(\*)When working on Swing Stage or Lift 100 feet or more in height, measured from the ground level up.

Four (4), ten (10) hour days may be worked at straight time during a week, Monday thru Thursday. Friday may be used as a make-up day.

NOTE - In order to use the '4 Day/10 Hour Work schedule', as your normal schedule, you must submit an 'Employer Registration for Use of 4 Day/10 Hour Work Schedule,' form PW30R; and there must be a dispensation of hours in place on the project. If the PW30R is not submitted you may be liable for overtime payments for work over 8 hours per day.

**SUPPLEMENTAL BENEFITS**

Per hour worked

Journeyman

\$ 18.03

Journeyman

High Work

23.08

**OVERTIME PAY**

See (B, E, E2, Q) on OVERTIME PAGE  
 Premium is applied to the respective base wage only.

**HOLIDAY**

Paid: See (1) on HOLIDAY PAGE  
 Overtime: See (5, 6) on HOLIDAY PAGE

Note: If any of the holidays are designated by federal law to be celebrated on a day other than that on which they regularly fall, then the holiday shall be celebrated on the day set by said federal law as if the day on which the holiday is celebrated was actually the holiday date.

**REGISTERED APPRENTICES**

Wages per hour

Apprentice Glazier One Half Year (750 hr) terms at the following percentage of Journeyman's base wage.

1st	2nd	3rd	4th	5th	6th	7th	8th
35%	45%	55%	65%	75%	85%	90%	95%

+ additional \$1.50 per hour for all hours worked for all terms

Apprentice Glazier Hi-Work One Half Year (750 hr) terms at the following percentage of Journeyman's Hi-Work base wage.

1st	2nd	3rd	4th	5th	6th	7th	8th
35%	45%	55%	65%	75%	85%	90%	95%

+ additional \$3.50 per hour for all hours worked for all terms

Supplemental Benefits per hour worked

For apprentices indentured after 07/01/2009 the following supplemental benefit applies:

Apprentice	
1st-4th term	\$ 14.76
5th-8th term	17.33
Apprentice High Work	
1st-4th term	\$ 17.33
5th-8th term	23.08

For apprentices indentured prior to and including 07/01/2009, the following supplemental benefit applies:

Apprentice	\$ 17.33
Apprentice High Work	23.08

1-201

**Insulator - Heat & Frost**

**02/01/2017**

**JOB DESCRIPTION** Insulator - Heat & Frost

**DISTRICT 1**

**ENTIRE COUNTIES**

Albany, Columbia, Delaware, Essex, Fulton, Greene, Hamilton, Montgomery, Rensselaer, Saratoga, Schenectady, Schoharie, Sullivan, Ulster, Warren, Washington

**WAGES**

Wages per hour	07/01/2016	05/01/2017 Additional	05/01/2018 Additional
Asbestos Worker*	\$ 33.31	\$1.25	\$1.25
Insulator*	33.31		
Firestopping Worker*	28.32		

(\*)On Mechanical Systems only.

On government mandated shift work additional 12% of wage for all shifts starting after 3:30 Pm.

**SUPPLEMENTAL BENEFITS**

Per hour worked

Journeyman	\$ 21.03
------------	----------

**OVERTIME PAY**

See (\*B1, \*\*Q) on OVERTIME PAGE  
 \*B1=Double time begins after 10 hours on Saturday  
 \*\*Q=Triple time on Labor Day if worked.

**HOLIDAY**

Paid: See (1) on HOLIDAY PAGE  
 Overtime: See (5, 6) on HOLIDAY PAGE

When a holiday falls on Sunday the following Monday shall be observed as the holiday.

**REGISTERED APPRENTICES**

Wages per hour

one year terms at the following percentage of Journeyman's wage.

1st	2nd	3rd	4th
60 %	70 %	80 %	90 %

Supplemental Benefits per hour worked:

Apprentices \$ 21.03

1-40

**Ironworker**

**02/01/2017**

**JOB DESCRIPTION** Ironworker

**DISTRICT 1**

**ENTIRE COUNTIES**

Albany, Clinton, Columbia, Delaware, Essex, Greene, Rensselaer, Saratoga, Schenectady, Schoharie, Warren, Washington

**PARTIAL COUNTIES**

Fulton: Only the Townships of Broadalbin, Mayfield, Northampton, Bleecker and Johnstown.

Hamilton: Only the Townships of Hope, Benson and Wells.

Montgomery: Only the Townships of Florida, Amsterdam, Charleston, Glen, Mohawk and Root.

Otsego: Only the Towns of Unadilla, Butternuts, Morris, Otego, Oneonta, Laurens, Millford, Maryland and Worchester.

**WAGES**

Wages	07/01/2016	05/01/2017
Per hour		Additional
Ornamental	\$ 30.05	\$1.25
Reinforcing	30.05	
Rodman	30.05	
Structural & Precast	30.05	
Mover/Rigger	30.05	
Fence Erector	30.05	
Stone Derrickman	30.05	
Sheeter	30.30	
Curtain Wall Installer	30.05	
Metal Window Installer	30.05	

**SUPPLEMENTAL BENEFITS**

Per hour worked

JOURNEYMAN \$ 26.56

**OVERTIME PAY**

See (B, E, Q) on OVERTIME PAGE

**HOLIDAY**

Paid: See (1) on HOLIDAY PAGE

Overtime: See (5, 6) on HOLIDAY PAGE

Note: Any holiday which occurs on Sunday shall be observed the following Monday.

**REGISTERED APPRENTICES**

Wages per hour

ONE YEAR TERMS AT THE FOLLOWING WAGE RATES:

	07/01/2016	05/01/2017
1st year	\$ 16.50	\$ 16.50
2nd year	18.50	18.50
3rd year	20.50	20.50
4th year	22.50	22.50
Supplemental Benefits per hour worked		
1st year	\$ 10.50	
2nd year	20.61	
3rd year	22.06	
4th year	23.51	

1-12

**Laborer - Building** **02/01/2017**

**JOB DESCRIPTION** Laborer - Building

**DISTRICT 7**

**ENTIRE COUNTIES**  
 Clinton, Essex, Warren

**WAGES**

GROUP #A: All Laborers (except as noted)

GROUP #B: Asbestos & Hazardous Waste Work.

WAGES per hour

	07/01/2016	07/01/2017 Additional	07/01/2018 Additional	07/01/2019 Additional
Group # A	\$ 21.88	\$ 1.50	\$ 1.50	\$ 1.50
Group # B	23.38	1.50	1.50	1.50

**SUPPLEMENTAL BENEFITS**

Per hour worked

Journeyman \$ 20.40

**OVERTIME PAY**

See (B, E, \*E2, Q) on OVERTIME PAGE

\*Inclement weather makeup day may be provided November 15 to May 15.

**HOLIDAY**

Paid: See (1) on HOLIDAY PAGE  
 Overtime: See (5, 6) on HOLIDAY PAGE

**REGISTERED APPRENTICES**

Wages per hour

Terms are at the following percentage of Group Rate A.

0-1,000 Hrs	1,001-2,000 Hrs	2,001-3,000 Hrs	3,001-4,000 Hrs
60%	70%	80%	90%

Supplemental Benefits per hour worked

Apprentices \$ 20.40

7-1822ew

**Laborer - Heavy&Highway** **02/01/2017**

**JOB DESCRIPTION** Laborer - Heavy&Highway

**DISTRICT 7**

**ENTIRE COUNTIES**  
 Clinton, Essex, Warren

**WAGES**

GROUP # A:  
 Drill Helper, Flagman, Outboard and Hand Boats.

GROUP # B:

Basic Rate, Chain Saw, Concrete Aggregate Bin, Concrete Bootman, Gin Buggy, Hand or Machine Vibrator, Jack Hammer, Mason Tender, Mortar Mixer, Pavement Breaker, Handlers of Steelmesh, Small Generators for Laborers' Tools, Installation of Bridge Drainage Pipe, Pipe Layers, Vibrator Type Rollers, Tamper, Drill Doctor, Water Pump Operator (1-1/2" and Single Diaphragm) Nozzle (Asphalt, Guniting, Seeding, and Sand Blasting), Laborers Assisting on Chain Link Fence Installation, Rock Splitter and Power Unit, Pusher Type Concrete Saw and all other Gas, Electric, Oil and Air Tool Operators, Wrecking Laborer.

GROUP # C:

Drilling Equipment Only Where a Separate Air Compressor Unit Supplies Power, Acetylene Torch Operators, Asphalt Raker, Powderman, Tail or Screw Operator on Asphalt Paver.

GROUP # D:

Blasters, Metal Form Setters (sidewalk), Stone or Granite Curb Setters.

GROUP # E:

Hazardous waste, Lead & Abestos abatement.

WAGES per hour	07/01/2016	07/01/2017	07/01/2018
----------------	------------	------------	------------

		Additional	Additional
Group # A	\$ 24.57	\$ 1.60	\$ 1.60
Group # B	24.77	1.60	1.60
Group # C	24.97	1.60	1.60
Group # D	25.17	1.60	1.60
Group # E	26.77	1.60	1.60

All employees who work a single irregular shift starting between 5:00 pm and 1:00 am on governmental mandated night work shall be paid an additional \$2.00 per hour.

Four (4), ten (10) hour days may be worked at straight time during a week, Monday thru Thursday. Friday may be used as a make-up day.

NOTE - In order to use the '4 Day/10 Hour Work schedule', as your normal schedule, you must submit an 'Employer Registration for Use of 4 Day/10 Hour Work Schedule,' form PW30R; and there must be a dispensation of hours in place on the project. If the PW30R is not submitted you may be liable for overtime payments for work over 8 hours per day.

**SUPPLEMENTAL BENEFITS**

Per hour worked

Journeyman \$ 21.55

**OVERTIME PAY**

See (B, E, Q) on OVERTIME PAGE

**HOLIDAY**

Paid: See (5, 6) on HOLIDAY PAGE

Overtime: See (5, 6) on HOLIDAY PAGE

Note: If a holiday falls on Sunday, it will be celebrated on Monday. In the event that men work on this Sunday holiday, they shall be paid double time. In the event that men work on Monday, they shall be compensated at double time plus the holiday pay. Accordingly, the Monday following the Sunday is treated as the holiday.

**REGISTERED APPRENTICES**

WAGES: 1000 hour terms at the following percentage of Journeyman's wage.

1st	2nd	3rd	4th
60%	70%	80%	90%

SUPPLEMENTAL BENEFITS per hour worked:

All terms: \$ 21.55

7-1822/2h

**Labourer - Tunnel**

**02/01/2017**

**JOB DESCRIPTION** Labourer - Tunnel

**DISTRICT 7**

**ENTIRE COUNTIES**

Clinton, Essex, Warren

**WAGES**

GROUP A: General Laborer

GROUP B: Change Houseman, Miners and all Machine Men, Safety Miner, all Shaft-work, Caisson work, Drilling, Blow Pipe, all Air Tools, Tugger, Scaling, Nipper, Guniting pot to nozzle, Bit Grinder, Signal Man (top and bottom), Concrete Men, Shield driven tunnels, mixed face and soft ground, liner plate tunnels in free air.

GROUP C: Hazardous/Waste Work

WAGES (per hour)

	07/01/2016	07/01/2017 Additional	07/01/2018 Additional
Tunnel Laborer:			
Group A	\$ 27.75	\$ 1.60	\$ 1.60
Group B	27.95	1.60	1.60
Group C*	29.75	1.60	1.60

(\*)Work site required to be designated by State/Federal as hazardous waste site and relevant regulations require employees to use personal protection.

**SUPPLEMENTAL BENEFITS**

Per hour worked:

Journeyman \$ 21.55

**OVERTIME PAY**

See (B, E, Q) on OVERTIME PAGE

**HOLIDAY**

Paid: See (5, 6) on HOLIDAY PAGE

Overtime: See (5, 6) on HOLIDAY PAGE

If the holiday falls on Saturday, it will be celebrated on Friday. If the holiday falls on Sunday, it will be celebrated on Monday.

**REGISTERED APPRENTICES**

Wages per hour

Terms are at the following percentage of Group B rate.

0-1000 Hrs	1001-2000 Hrs	2001-3000 Hrs	3001-4000 Hrs
60%	70%	80%	90%

Supplements per hour worked

Apprentices \$ 21.55

7-1822T

**Lineman Electrician**

**02/01/2017**

**JOB DESCRIPTION** Lineman Electrician

**DISTRICT 6**

**ENTIRE COUNTIES**

Albany, Allegany, Broome, Cattaraugus, Cayuga, Chautauqua, Chemung, Chenango, Clinton, Columbia, Cortland, Delaware, Dutchess, Erie, Essex, Franklin, Fulton, Genesee, Greene, Hamilton, Herkimer, Jefferson, Lewis, Livingston, Madison, Monroe, Montgomery, Niagara, Oneida, Onondaga, Ontario, Orange, Orleans, Oswego, Otsego, Putnam, Rensselaer, Rockland, Saratoga, Schenectady, Schoharie, Schuyler, Seneca, St. Lawrence, Steuben, Sullivan, Tioga, Tompkins, Ulster, Warren, Washington, Wayne, Wyoming, Yates

**WAGES**

Per hour:

NOTE: Includes Teledata Work within ten (10) feet of High Voltage Transmission Lines

Below rates applicable on all overhead and underground distribution and maintenance work, and all overhead and underground transmission line work and the installation of fiber optic cable where no other construction trades are or have been involved. (Ref #14.01.01)

07/01/2016

Lineman, Technician	\$ 47.95
Crane, Crawler Backhoe	47.95
Welder, Cable Splicer	47.95
Digging Machine Operator	43.16
Tractor Trailer Driver	40.76
Groundman, Truck Driver	38.36
Equipment Mechanic	38.36
Flagman	28.77

Additional \$1.00 per hour for entire crew when a helicopter is used.

Below rates applicable on all electrical sub-stations, switching structures, fiber optic cable and all other work not defined as "Utility outside electrical work". (Ref #14.02.01-A)

Lineman, Technician	\$ 47.95
Crane, Crawler Backhoe	47.95
Cable Splicer	52.75
Cert. Welder-Pipe Type Cable	50.35
Digging Machine Operator	43.16
Tractor Trailer Driver	40.76
Groundman, Truck Driver	38.36
Equipment Mechanic	38.36
Flagman	28.77

Additional \$1.00 per hour for entire crew when a helicopter is used.

Below rates apply on switching structures, maintenance projects, railroad catenary install/maintenance third rail installation, bonding of rails and pipe type cable and installation of fiber optic cable. (Ref #14.02.01-B)

Lineman, Technician, Welder \$ 49.27

Crane, Crawler Backhoe	49.27
Cable Splicer	54.20
Cert. Welder-Pipe Type Cable	51.73
Digging Machine Operator	44.34
Tractor Trailer Driver	41.88
Groundman, Truck Driver	39.42
Equipment Mechanic	39.42
Flagman	29.56

Additional \$1.00 per hour for entire crew when a helicopter is used.

Below rates applicable on all overhead and underground transmission line work & fiber optic cable where other construction trades are or have been involved. This applies to transmission line work only, not other construction. (Ref #14.03.01)

Lineman, Technician, Welder	\$ 50.46
Crane, Crawler Backhoe	50.46
Cable Splicer	50.46
Digging Machine Operator	45.41
Tractor Trailer Driver	42.89
Groundman, Truck Driver	40.37
Equipment Mechanic	40.37
Flagman	30.28

Additional \$1.00 per hour for entire crew when a helicopter is used.

NOTE: THE FOLLOWING RATES WILL APPLY ON ALL CONTRACTING AGENCY MANDATED MULTIPLE SHIFTS OF AT LEAST FIVE (5) DAYS DURATION WORKED BETWEEN THE HOURS LISTED BELOW:

1ST SHIFT	8:00 AM to 4:30 PM REGULAR RATE
2ND SHIFT	4:30 PM to 1:00 AM REGULAR RATE PLUS 17.3 %
3RD SHIFT	12:30 AM to 9:00 AM REGULAR RATE PLUS 31.4 %

**\*\* IMPORTANT NOTICE \*\***

Four (4), ten (10) hour days may be worked at straight time during a week, Monday thru Thursday. Friday may be used as a make-up day.  
\*Effective 05/06/2013, Tuesday thru Friday may be worked with no make-up day.

NOTE - In order to use the '4 Day/10 Hour Work schedule', as your normal schedule, you must submit an 'Employer Registration for Use of 4 Day/10 Hour Work Schedule,' form PW30R; and there must be a dispensation of hours in place on the project. If the PW30R is not submitted you may be liable for overtime payments for work over 8 hours per day.

**SUPPLEMENTAL BENEFITS**

Per hour worked (but also required on non-worked holidays):

The following SUPPLEMENTAL BENEFITS apply to all classification categories of CONSTRUCTION, TRANSMISSION and DISTRIBUTION.

Journeyman	\$ 21.75 *plus 7.25% of hourly wage
------------	---

\*The 7.25% is based on the hourly wage paid, straight time rate or premium rate.

**OVERTIME PAY**

See (B, E, Q,) on OVERTIME PAGE. \*Note\* Double time for all emergency work designated by the Dept. of Jurisdiction.

**HOLIDAY**

Paid	See ( 5, 6, 8, 13, 25 ) on HOLIDAY PAGE plus Governor of NYS Election Day.
Overtime	See ( 5, 6, 8, 13, 25 ) on HOLIDAY PAGE plus Governor of NYS Election Day.

NOTE: All paid holidays falling on Saturday shall be observed on the preceding Friday. All paid holidays falling on Sunday shall be observed on the following Monday. Supplements for holidays paid at straight time.

**REGISTERED APPRENTICES**

WAGES: 1000 hour terms at the following percentage of the Journeyman Lineman wage.

1st	2nd	3rd	4th	5th	6th	7th
60%	65%	70%	75%	80%	85%	90%



SUPPLEMENTAL BENEFITS: Same as Journeyman

6-1249a

**Lineman Electrician - Teledata** **02/01/2017**

**JOB DESCRIPTION** Lineman Electrician - Teledata

**DISTRICT 6**

**ENTIRE COUNTIES**

Albany, Allegany, Broome, Cattaraugus, Cayuga, Chautauqua, Chemung, Chenango, Clinton, Columbia, Cortland, Delaware, Dutchess, Erie, Essex, Franklin, Fulton, Genesee, Greene, Hamilton, Herkimer, Jefferson, Lewis, Livingston, Madison, Monroe, Montgomery, Niagara, Oneida, Onondaga, Ontario, Orange, Orleans, Oswego, Otsego, Putnam, Rensselaer, Rockland, Saratoga, Schenectady, Schoharie, Schuyler, Seneca, St. Lawrence, Steuben, Sullivan, Tioga, Tompkins, Ulster, Warren, Washington, Wayne, Westchester, Wyoming, Yates

**WAGES**

Per hour:

FOR OUTSIDE WORK.

	07/01/2016	01/01/2017
Cable Splicer	\$ 30.29	\$ 30.90
Installer, Repairman	28.75	29.33
Teledata Lineman	28.75	29.33
Technician, Equipment Operator	28.75	29.33
Groundman	15.25	15.56

NOTE: EXCLUDES Teledata work within ten (10) feet of High Voltage (600 volts and over) transmission lines. For this work please see LINEMAN.

**SUPPLEMENTAL BENEFITS**

Per hour worked:

Journeyman	\$ 4.43	\$ 4.43
	*plus 3% of wage paid	*plus 3% of wage paid

\*The 3% is based on the hourly wage paid, straight time rate or premium rate.

**OVERTIME PAY**

See (B, E, Q) on OVERTIME PAGE

**HOLIDAY**

Paid: See (1) on HOLIDAY PAGE  
 Overtime: See (5, 6, 16) on HOLIDAY PAGE

6-1249LT - Teledata

**Lineman Electrician - Traffic Signal Lighting** **02/01/2017**

**JOB DESCRIPTION** Lineman Electrician - Traffic Signal Lighting

**DISTRICT 6**

**ENTIRE COUNTIES**

Albany, Allegany, Broome, Cattaraugus, Cayuga, Chautauqua, Chemung, Chenango, Clinton, Cortland, Delaware, Erie, Essex, Franklin, Fulton, Genesee, Greene, Hamilton, Herkimer, Jefferson, Lewis, Livingston, Madison, Monroe, Montgomery, Niagara, Oneida, Onondaga, Ontario, Orleans, Oswego, Otsego, Rensselaer, Saratoga, Schenectady, Schoharie, Schuyler, Seneca, St. Lawrence, Steuben, Sullivan, Tioga, Tompkins, Warren, Washington, Wayne, Wyoming, Yates

**WAGES**

Lineman/Technician shall perform all overhead aerial work. A Lineman/Technician on the ground will install all electrical panels, connect all grounds, install and connect all electrical conductors which includes, but is not limited to road loop wires; conduit and plastic or other type pipes that carry conductors, flex cables and connectors, and to oversee the encasement or burial of such conduits or pipes.

A Groundman/Groundman Truck Driver shall: Build and set concrete forms, handle steel mesh, set footer cages, transport concrete in a wheelbarrow, hand or machine concrete vibrator, finish concrete footers, mix mortar, grout pole bases, cover and maintain footers while curing in cold weather, operate jack hammer, operate hand pavement breaker, tamper, concrete and other motorized saws, as a drill helper, operate and maintain generators, water pumps, chain saws, sand blasting, operate mulching and seeding machine, air tools, electric tools, gas tools, load and unload materials, hand shovel and/or broom, prepare and pour mastic and other fillers, assist digger operator equipment operator in ground excavation and restoration, landscape work and painting. Only when assisting a lineman technician, a groundman/groundman truck driver may assist in installing conduit, pipe, cables and equipment.

A flagger's duties shall consist of traffic control only.

(Ref #14.01.01)

Per hour:  
 07/01/2016

Lineman, Technician	\$ 41.65
Crane, Crawler Backhoe	41.65
Certified Welder	43.73
Digging Machine	37.49
Tractor Trailer Driver	35.40
Groundman, Truck Driver	33.32
Equipment Mechanic	33.32
Flagman	24.99

Above rates applicable on all Lighting and Traffic Signal Systems with the installation, testing, operation, maintenance and repair of all traffic control and illumination projects, traffic monitoring systems, road weather information systems and the installation of Fiber Optic Cable.

NOTE: THE FOLLOWING RATES WILL APPLY ON ALL CONTRACTING AGENCY MANDATED MULTIPLE SHIFTS OF AT LEAST FIVE (5) DAYS DURATION WORKED BETWEEN THE HOURS LISTED BELOW:

1ST SHIFT	8:00 AM TO 4:30 PM	REGULAR RATE
2ND SHIFT	4:30 PM TO 1:00 AM	REGULAR RATE PLUS 17.3%
3RD SHIFT	12:30 AM TO 9:00 AM	REGULAR RATE PLUS 31.4%

**\*\* IMPORTANT NOTICE \*\***

Four (4), ten (10) hour days may be worked at straight time during a week, Monday thru Thursday. Friday may be used as a make-up day.  
 \*Effective 05/06/2013, Tuesday thru Friday may be worked with no make-up day.

NOTE - In order to use the '4 Day/10 Hour Work schedule', as your normal schedule, you must submit an 'Employer Registration for Use of 4 Day/10 Hour Work Schedule,' form PW30R; and there must be a dispensation of hours in place on the project. If the PW30R is not submitted you may be liable for overtime payments for work over 8 hours per day.

**SUPPLEMENTAL BENEFITS**

Per hour worked (but also required on non-worked holidays):

Journeyman	\$ 21.75
	*plus 7.25% of hourly wage

\*The 7.25% is based on the hourly wage paid, straight time rate or premium rate.  
 Supplements paid at STRAIGHT TIME rate for holidays.

**OVERTIME PAY**

See (B, E, Q) on OVERTIME PAGE. \*Note\* Double time for all emergency work designated by the Dept. of Jurisdiction

**HOLIDAY**

Paid: See ( 5, 6, 8, 13, 25 ) on HOLIDAY PAGE plus Governor of NYS Election Day.  
 Overtime: See ( 5, 6, 8, 13, 25 ) on HOLIDAY PAGE plus Governor of NYS Election Day.

NOTE: All paid holidays falling on Saturday shall be observed on the preceding Friday. All paid holidays falling on Sunday shall be observed on the following Monday. Supplements for holidays paid at straight time.

**REGISTERED APPRENTICES**

WAGES: Per hour. 1000 hour terms.

1st	2nd	3rd	4th	5th	6th	7th
\$ 24.99	\$ 27.07	\$ 29.16	\$ 31.24	\$ 33.32	\$ 35.40	\$ 37.49

SUPPLEMENTAL BENEFITS: Same as Journeyman

6-1249a-LT

**Lineman Electrician - Tree Trimmer**

**02/01/2017**

**JOB DESCRIPTION** Lineman Electrician - Tree Trimmer

**DISTRICT 6**

**ENTIRE COUNTIES**

Albany, Allegany, Broome, Cattaraugus, Cayuga, Chautauqua, Chemung, Chenango, Clinton, Columbia, Cortland, Delaware, Dutchess, Erie, Essex, Franklin, Fulton, Genesee, Greene, Hamilton, Herkimer, Jefferson, Lewis, Livingston, Madison, Monroe, Montgomery, Niagara, Oneida, Onondaga, Ontario, Orange, Orleans, Oswego, Otsego, Putnam, Rensselaer, Rockland, Saratoga, Schenectady, Schoharie, Schuyler, Seneca, St. Lawrence, Steuben, Sullivan, Tioga, Tompkins, Ulster, Warren, Washington, Wayne, Wyoming, Yates

**WAGES**

Per hour:

Applies to line clearance, tree work and right-of-way preparation on all new or existing energized overhead or underground electrical, telephone and CATV lines. This also would include stump removal near underground energized electrical lines, including telephone and CATV lines.

	07/01/2016	01/01/2017
Tree Trimmer	\$ 23.37	\$ 23.95
Equipment Operator	20.61	21.13
Equipment Mechanic	20.61	21.13
Truck Driver	17.26	17.52
Groundman	14.15	14.36
Flag person	10.08	10.23

**SUPPLEMENTAL BENEFITS**

Per hour worked (but also required on non-worked holidays):

Journeyman	\$ 9.56 *plus 3% of hourly wage	\$ 9.98 *plus 3% of hourly wage
------------	---------------------------------------	---------------------------------------

\* The 3% is based on the hourly wage paid, straight time rate or premium rate.

**OVERTIME PAY**

See (B, E, Q) on OVERTIME PAGE

**HOLIDAY**

Paid: See (5, 6, 8, 15, 16, 25) on HOLIDAY PAGE

Overtime: See (5, 6, 8, 15, 16, 25) on HOLIDAY PAGE

NOTE: All paid holidays falling on a Saturday shall be observed on the preceding Friday.

All paid holidays falling on a Sunday shall be observed on the following Monday.

6-1249TT

**Mason - Building**

**02/01/2017**

**JOB DESCRIPTION** Mason - Building

**DISTRICT** 12

**ENTIRE COUNTIES**

Albany, Clinton, Columbia, Essex, Franklin, Fulton, Greene, Hamilton, Montgomery, Rensselaer, Saratoga, Schenectady, Schoharie, Warren, Washington

**WAGES**

Per hour	07/01/2016	07/01/2017
Tile/Marble/Terrazzo		
Setter	\$ 32.59	Additional \$1.30/Hr.
Finisher	25.59	\$1.04/Hr. to be allocated

Four (4), ten (10) hour days may be worked at straight time during a week, Monday thru Thursday. Friday may be used as a make-up day.

NOTE - In order to use the '4 Day/10 Hour Work Schedule,' as your normal schedule, you must submit an 'Employer Registration for Use of 4 Day/10 Hour Work Schedule,' form PW30R; and there must be a dispensation of hours in place on the project. If the PW30R is not submitted you may be liable for overtime payments for work over 8 hours per day.

**SUPPLEMENTAL BENEFITS**

Per hour worked

Journeyman Setter	\$ 19.05
Journeyman Finisher	16.34

**OVERTIME PAY**

See (B, E, E2, Q) on OVERTIME PAGE

**HOLIDAY**

Paid: See (1) on HOLIDAY PAGE

Overtime: See (5, 6) on HOLIDAY PAGE

**REGISTERED APPRENTICES**

Wages per hour

Hour Terms at the following percentage of Journeyman's wage

Setter:

1st term 0-500 hrs	60%
2nd term 501-1500 hrs	70%
3rd term 1501-2500 hrs	80%
4th term 2501-3500 hrs	85%
5th term 3501-4500 hrs	90%
6th term 4501-6000 hrs	95%

Finisher:

1st term 0-500 hrs	70%
2nd term 501-1500 hrs	80%
3rd term 1501-2500 hrs	90%
4th term 2501-3700 hrs	95%

Supplemental Benefits per hour worked  
 07/01/2016

Setter:

1st term 0-500 hrs	\$ 11.00
2nd term 501-1500 hrs	11.00
3rd term 1501-2500 hrs	15.02
4th term 2501-3500 hrs	15.02
5th term 3501-4500 hrs	17.04
6th term 4501-6000 hrs	19.05

Finisher:

1st term 0-500 hrs	\$ 10.49
2nd term 501-1500 hrs	10.49
3rd term 1501-2500 hrs	13.41
4th term 2501-3700 hrs	13.41

12-2TS.1

---

**Mason - Building** **02/01/2017**

---

**JOB DESCRIPTION** Mason - Building

**DISTRICT** 12

**ENTIRE COUNTIES**

Clinton, Essex, Franklin

**PARTIAL COUNTIES**

Warren: Only the Townships of Chester, Hague, Horicon and Johnsburg.

**WAGES**

Per hour	07/01/2016- 06/30/2017	07/01/2017
Bricklayer	\$ 29.87	Additional
Cement Finisher	29.87	\$1.31/Hr.
Plasterer/Fireproofers*	29.87	to be allocated
Pointer/Caulker/Cleaner	29.87	
Stone Mason	29.87	
Acid Brick	30.37	

(\*Fireproofers on Structural only.

Four (4), ten (10) hour days may be worked at straight time during a week, Monday thru Thursday. Friday may be used as a make-up day.

NOTE - In order to use the '4 Day/10 Hour Work Schedule,' as your normal schedule, you must submit an 'Employer Registration for Use of 4 Day/10 Hour Work Schedule,' form PW30R; and there must be a dispensation of hours in place on the project. If the PW30R is not submitted you may be liable for overtime payments for work over 8 hours per day.

**SUPPLEMENTAL BENEFITS**

Per hour worked

Journeyman \$ 18.72

**OVERTIME PAY**

See (B, E, E2, Q) on OVERTIME PAGE

**HOLIDAY**

Paid: See (1) on HOLIDAY PAGE  
Overtime: See (5, 6) on HOLIDAY PAGE  
Note: Any holiday which occurs on Sunday shall be observed the following Monday.

**REGISTERED APPRENTICES**

Wages per hour

750 hr terms at the following percentage of Journeyman's wage

1st	2nd	3rd	4th	5th	6th	7th	8th
55%	60%	65%	70%	75%	80%	85%	90%

Supplemental Benefits per hour worked

0-500 Hours	\$ 11.27
All others	\$ 18.72

12-2b.8

**Mason - Heavy&Highway**

**02/01/2017**

**JOB DESCRIPTION** Mason - Heavy&Highway

**DISTRICT** 12

**ENTIRE COUNTIES**

Albany, Cayuga, Clinton, Columbia, Essex, Franklin, Fulton, Greene, Hamilton, Herkimer, Jefferson, Lewis, Madison, Montgomery, Oneida, Oswego, Rensselaer, Saratoga, Schenectady, Schoharie, St. Lawrence, Warren, Washington

**PARTIAL COUNTIES**

Onondaga: For Heavy & Highway Cement Mason or Plaster Work in Onondaga County, refer to Mason-Heavy&Highway tag 1-2h/h on.

**WAGES**

Per hour

07/01/2016

Mason &  
Bricklayer

\$35.09

Additional \$1.00 per hour for work on any swing scaffold or staging suspended by means of ropes or cables.

**SUPPLEMENTAL BENEFITS**

Per hour worked

Journeyman

\$ 18.75

**OVERTIME PAY**

See (B, E, E2, Q) on OVERTIME PAGE

**HOLIDAY**

Paid: See (1) on HOLIDAY PAGE  
Overtime: See (5, 6) on HOLIDAY PAGE

Note: If a holiday falls on Sunday, the Monday following shall constitute the day of the legal holiday.

**REGISTERED APPRENTICES**

Wages per hour

750 HR TERMS at the following percent of Journeyman's wage

1st	2nd	3rd	4th	5th	6th	7th	8th
55%	60%	65%	70%	75%	80%	85%	90%

Supplemental Benefits per hour worked

\$ 18.75

12-2hh.1

**Millwright - Building**

**02/01/2017**

**JOB DESCRIPTION** Millwright - Building

**DISTRICT** 2

**ENTIRE COUNTIES**

Clinton, Essex, Franklin, Hamilton

**WAGES**

Per hour:

07/01/2016

07/01/2017  
Additional

Millwright\* \$ 26.95 \$ 1.40

**NOTE ADDITIONAL PREMIUMS PAID FOR THE FOLLOWING WORK LISTED BELOW:**

- Certified Welders shall receive \$1.25 per hour in addition to the current Millwright's rate provided he/she is directed to perform certified welding.
- If a work site has been declared a hazardous site by the Owner and the use of protective gear (including, as a minimum, air purifying canister-type chemical respirators) are required, then that employee shall receive a \$1.25 premium per hour.
- An employee performing the work of a machinist shall receive \$1.25 per hour in addition to the current Millwright's rate. For the purposes of this premium to apply, a "machinist" is a person who uses a lathe, Bridgeport, milling machine or similar type of tool to make or modify parts.

\*Regarding treatment plants water or sewer, the Millwright Building rate is applicable for millwrights only performing maintenance and upkeep of existing equipment.

**SUPPLEMENTAL BENEFITS**

Per hour worked:

Journeyman \$ 20.44

**OVERTIME PAY**

See (B, E, \*E2, Q) on OVERTIME PAGE

\*Note - Saturday may be used as a make-up day and worked at the straight time rate of pay during a work week when conditions such as weather, power failure, fire, or natural disaster prevent the performance of work on a regular scheduled work day.

**HOLIDAY**

Paid: See (1) on HOLIDAY PAGE

Overtime: See (5, 6) on HOLIDAY PAGE

Note: Any holiday that falls on Sunday shall be observed the following Monday. Any holiday that falls on Saturday shall be observed the preceding Friday.

**REGISTERED APPRENTICES**

Wages per hour:

(1)year terms at the following percentage of journeyman's rate.

1st	2nd	3rd	4th
60%	70%	80%	90%

Supplemental Benefits per hours worked:

Apprentices:

1st term	\$ 9.60
2nd term	17.19
3rd term	18.27
4th term	19.36

2-1163.2

**Operating Engineer - Building**

**02/01/2017**

**JOB DESCRIPTION** Operating Engineer - Building

**DISTRICT 1**

**ENTIRE COUNTIES**

Albany, Clinton, Columbia, Essex, Franklin, Fulton, Greene, Hamilton, Herkimer, Montgomery, Otsego, Rensselaer, Saratoga, Schenectady, Schoharie, Warren, Washington

**PARTIAL COUNTIES**

Dutchess: Defined as north of the northern boundary line of City of Poughkeepsie then due east to Route 115 to Bedelt Road then east along Bedelt Road to VanWagner Road then north along VanWagner Road to Bower Road then east along Bower Road to Rte. 44 east to Route 343 then along Route 343 east to the northern boundary of Town of Dover Plains and east along the northern boundary of Town of Dover Plains to Connecticut.

**WAGES**

CLASS A1:

Crane, hydraulic cranes, tower crane, locomotive crane, piledriver, cableway, derricks,whirlies, dragline, boom trucks over 5 tons.

CLASS A:

Shovel, all Excavators (including rubber tire full swing), Gradalls, power road grader, all CMI equipment, front-end rubber tire loader, tractor-mounted drill (quarry master), mucking machine, concrete central mix plant, concrete pump, belcrete system, automated asphalt concrete plant, and tractor road paver, boom trucks 5 tons and under, maintenance engineer, self-contained crawler drill-hydraulic rock drill.

CLASS B:

Backhoes (rubber tired backhoe/loader combination), bulldozer, pushcat, tractor, traxcavator, scraper, LeTourneau grader, form fine grader, self-propelled soil compactor (fill roller), asphalt roller, blacktop spreader, power brooms, sweepers, trenching machine, Barber Green loader, side booms, hydro hammer, concrete spreader, concrete finishing machine, one drum hoist, power hoisting (single drum), hoist two drum or more, three drum engine, power hoisting (two drum and over), two drum and swinging engine, three drum swinging engine, hod hoist, A-L frame winches, core and well drillers (one drum), post hole digger, model CHB Vibro-Tamp or similar machine, batch bin and plant operator, dinky locomotive, skid steer loader, track excavator 5/8 cubic yard or smaller, front end rubber tired loader under four cubic yards, vacuum machine (mounted or towed).

**CLASS C:**

Fork lift, high lift, all terrain fork lift: or similar, oiler, fireman and heavy-duty greaser, boilers and steam generators, pump, vibrator, motor mixer, air compressor, dust collector, welding machine, well point, mechanical heater, generators, temporary light plants, electric submersible pumps 4" and over, murphy type diesel generator, conveyor, elevators, concrete mixer, beltcrete power pack (belcrete system), seeding, and mulching machines, pumps.

\* In the event that equipment listed above is operated by robotic control, the classification covering the operation will be the same as if manually operated.

**WAGES per hour**

	07/01/2016	07/01/2017	07/01/2018
Class # A1	\$ 41.08	\$ 42.66	\$ 44.29
Class # A	40.61	42.18	43.80
Class # B	39.65	41.18	42.78
Class # C	36.92	38.37	39.88

Additional \$0.50 per hr for Tower Cranes.

Additional \$1.00 per hr for Cranes with Boom length & jib 150ft. and over.

Additional \$2.00 per hr for Cranes with Boom length & jib 200ft. and over.

Additional \$2.00 per hr over B rate for Nuclear Leader work.

Additional \$0.40 per hr for tunnel or excavation of shaft 40' or more deep.

Additional \$2.50 per hour if work requires Personal Protective Equipment for hazardous waste site activities with a level C or over rating.

**SUPPLEMENTAL BENEFITS**

Per hour worked

Journeyman	\$ 24.47	\$ 24.87	\$ 25.27
------------	----------	----------	----------

**OVERTIME PAY**

See (B, E, Q) on OVERTIME PAGE

**HOLIDAY**

Paid: See (1) on HOLIDAY PAGE

Overtime: See (5, 6) on HOLIDAY PAGE

Note: If a holiday falls on Sunday, it will be celebrated on Monday. If the holiday falls on Saturday, it will be celebrated on Friday.

Employees who work a Saturday holiday shall be paid double time plus the holiday pay.

**REGISTERED APPRENTICES**

Wages per hour

1000 hours terms at the following percentage of Journeyman's wage Class B

1st	2nd	3rd	4th
60%	70%	80%	90%

Supplemental Benefits per hour worked

	07/01/2016	07/01/2017	07/01/2018
All terms	\$ 19.90	\$ 20.30	\$ 20.70

1-158 Alb

**Operating Engineer - Heavy&Highway**

**02/01/2017**

**JOB DESCRIPTION** Operating Engineer - Heavy&Highway

**DISTRICT 1**

**ENTIRE COUNTIES**

Albany, Broome, Chenango, Clinton, Columbia, Essex, Franklin, Fulton, Greene, Hamilton, Herkimer, Montgomery, Otsego, Rensselaer, Saratoga, Schenectady, Schoharie, Tioga, Warren, Washington

**PARTIAL COUNTIES**

Dutchess: Defined as north of the northern boundary line of City of Poughkeepsie then due east to Route 115 to Bedelt Road then east along Bedelt Road to VanWagner Road then north along VanWagner Road to Bower Road then east along Bower Road to Rte. 44 east to Route 343 then along Route 343 east to the northern boundary of Town of Dover Plains and east along the northern boundary of Town of Dover Plains to Connecticut.

**WAGES**

**CLASSIFICATION A:**

Asphalt Curb Machine (Self Propelled, Slipform), Asphalt Paver, Automated Concrete Spreader (CMI Type), Automatic Fine Grader, Backhoe (Except Tractor Mounted, Rubber Tired), Backhoe Excavator Full Swing (CAT 212 or similar type), Back Filling Machine, Belt Placer (CMI Type), Blacktop Plant (Automated), Boom truck, Cableway, Caisson Auger, Central Mix Concrete Plant (Automated), Concrete Curb Machine (Self Propelled, Slipform), Concrete Pump, Crane, Cherry Picker, Derricks (steel erection), Dragline, Overhead Crane (Gantry or Straddle type), Pile Driver, Truck Crane, Directional Drilling Machine, Dredge, Dual Drum Paver, Excavator (All PurposeHydraulically Operated) (Gradall or Similar), Front End Loader (4 cu. yd. and Over), Head Tower (Sauerman or Equal), Hoist (Two or Three Drum), Holland Loader, Maintenance Engineer, Mine Hoist, Mucking Machine or Mole, Pavement Breaker(SP) Wertgen; PB-4 and similar type, Power Grader, Profiler (over 105 H.P.), Quad 9, Quarry Master (or equivalent), Scraper, Shovel, Side Boom, Slip Form Paver (If a second man is needed, he shall be an Oiler), Tractor Drawn BeltType Loader, Truck or Trailer Mounted Log Chipper (Self Feeder), Tug Operator (Manned Rented Equipment Excluded), Tunnel Shovel

**CLASSIFICATION B:**

Backhoe (Tractor Mounted, Rubber Tired), Bituminous Recycler Machine, Bituminous Spreader and Mixer, Blacktop Plant (NonAutomated), Blast or Rotary Drill (Truck or Tractor Mounted), Boring Machine, Cage Hoist, Central Mix Plant [(NonAutomated) and All Concrete Batching Plants], Concrete Paver (Over 16S), Crawler Drill (Self-contained), Crusher, Diesel Power Unit, Drill Rigs, Tractor Mounted, Front End Loader (Under 4 cu. yd.), Greaseman/Lubrication Engineer, HiPressure Boiler (15 lbs. and over), Hoist (One Drum), Hydro-Axe, Kolman Plant Loader and Similar Type Loaders (If Employer requires another man to clean the screen or to maintain the equipment, he shall be an Oiler), L.C.M. Work Boat Operator, Locomotive, Material handling knuckle boom, Mixer (for stabilized base selfpropelled), Monorail Machine, Plant Engineer, Profiler (105 H.P. and under), Pug Mill, Pump Crete, Ready Mix Concrete Plant, Refrigeration Equipment (for soil stabilization), Road Widener, Roller (all above subgrade), Sea Mule, Self-contained Ride-on Rock Drill(Excluding Air-Track Type Drill), Skidder, Tractor with Dozer and/or Pusher, Trencher, Tugger Hoist, Vacuum machine (mounted or towed), Vermeer saw (ride on, any size or type), Welder

**CLASSIFICATION C:**

A Frame Winch Hoist on Truck, Articulated Heavy Hauler, Aggregate Plant, Asphalt or Concrete Grooving Machine (ride on), Ballast Regulator(Ride-on), oiler (used in conjunction with production), Bituminous Heater (self-propelled), oat (powered), Cement and Bin Operator, Concrete Pavement Spreader and Finisher Concrete Paver or Mixer (16S and under), Concrete Saw (self-propelled), Conveyor, Deck Hand, Directional Drill Machine Locator, Drill (Core and Well), Farm Tractor with accessories, Fine Grade Machine, Fireman, Fork Lift, Form Tamper, Grout Pump, Gunite Machine, Hammers (Hydraulic self-propelled), Hydra-Spiker (ride-on), Hydraulic Pump (jacking system), Hydro -Blaster (Water), Mulching Machine, Oiler, Parapet Concrete or Pavement Grinder, Post Hole Digger and Post Driver, Power Broom (towed), Power Heaterman, Power Sweeper, Revinius Widener, Roller (Grade and Fill), Scarifier (ride-on), Shell Winder, Skid steer loader (Bobcat or similar), Span-Saw (ride-on), Steam Cleaner, Tamper (ride-on), Tie Extractor (ride-on), Tie Handler (ride-on), Tie Inserter (ride-on), Tie Spacer (ride-on), Tire Repair, Track Liner (ride-on), Tractor, Tractor (with towed accessories), Vibratory Compactor, Vibro Tamp, Well Point, and the following hands-off equipment: Compressors, Dust Collectors, Generators, Pumps, Welding Machines, Light Plants and Heaters

- Note for all above classifications of Operating Engineer - In the event that equipment listed above is operated by robotic control, the classification covering the operation will be the same as if manually operated.

**WAGES per hour**

	07/01/2016	07/01/2017	07/01/2018
Master Mechanic	\$ 42.07	\$ 43.79	\$ 45.58
Class A*	40.46	42.18	43.97
Class B	39.55	41.27	43.06
Class C	36.98	38.70	40.49

Additional \$2.00 per hour for All Employees who work a single irregular work shift starting from 5:00 PM to 1:00 AM that is mandated by the Contracting Agency.

Additional \$2.50 per hr. for hazardous waste removal work on State and/or Federally designated waste site which require employees to wear Level C or above forms of personal protection.

(\*) Premiums for CRANES is based upon Class A rates with the following premiums:

- Additional \$4.00 per hr for Tower Cranes, including self erecting.
- Additional \$3.00 per hr for Lattice Boom Cranes and all other cranes with a manufacturers rating of fifty (50) tons and over.
- Additional \$2.00 per hr for all Hydraulic Cranes and Derricks with a manufacturer's rating of 49 ton and below, including boom trucks.

Four (4), ten (10) hour days may be worked at straight time during a week, Monday thru Thursday. Friday may be used as a make-up day.

NOTE - In order to use the '4 Day/10 Hour Work schedule', as your normal schedule, you must submit an 'Employer Registration for Use of 4 Day/10 Hour Work Schedule,' form PW30R; and there must be a dispensation of hours in place on the project. If the PW30R is not submitted you may be liable for overtime payments for work over 8 hours per day.

**SUPPLEMENTAL BENEFITS**

Per hour worked

Journeyman	\$ 24.80	\$ 25.20	\$ 25.60
------------	----------	----------	----------



**OVERTIME PAY**

See (B, E, Q) on OVERTIME PAGE

**HOLIDAY**

Paid: See (5, 6) on HOLIDAY PAGE  
 Overtime: See (5, 6) on HOLIDAY PAGE

Note: If the holiday falls on Sunday, it will be celebrated on Monday. If the holiday falls on a Saturday, it will be celebrated on Saturday.

**REGISTERED APPRENTICES**

Wages per hour

1000 hours terms at the following percentage of Journeyman's wage Class B

1st	2nd	3rd	4th
60%	70%	80%	90%

Supplemental Benefits per hour worked

	07/01/2016	07/01/2017	07/01/2018	
All Terms	\$ 20.20	\$ 20.60	\$ 21.00	1-158H/H Alb

**Operating Engineer - Marine Dredging**

**02/01/2017**

**JOB DESCRIPTION** Operating Engineer - Marine Dredging

**DISTRICT 4**

**ENTIRE COUNTIES**

Albany, Bronx, Cayuga, Chautauqua, Clinton, Columbia, Dutchess, Erie, Essex, Franklin, Greene, Jefferson, Kings, Monroe, Nassau, New York, Niagara, Orange, Orleans, Oswego, Putnam, Queens, Rensselaer, Richmond, Rockland, St. Lawrence, Suffolk, Ulster, Washington, Wayne, Westchester

**WAGES**

These wages do not apply to Operating Engineers on land based construction projects. For those projects, please see the Operating Engineer Heavy/Highway Rates. The wage rates below for barge mounted cranes and other equipment are only for marine dredging work in navigable waters found in the counties listed above.

Per Hour:	
DREDGING OPERATIONS CLASS A	07/01/2016
Operator, Leverman, Lead Dredgeman	\$ 35.63
CLASS A1	To conform to Operating Engineer
Dozer, Front Loader Operator	Prevailing Wage in locality where work is being performed including benefits.
CLASS B	
Spider/Spill Barge Operator, Tug Operator(over1000hp), OperatorII, Fill Placer, Derrick Operator, Engineer, Chief Mate, Electrician, Chief Welder, Maintenance Engineer	\$ 30.81
Certified Welder, Boat Operator(licensed)	\$ 29.01
CLASS C	
Drag Barge Operator, Steward, Mate, Assistant Fill Placer,	\$ 28.22
Welder (please add)	\$ 0.06
Boat Operator	\$ 27.30
CLASS D	
Shoreman, Deckhand, Rodman, Scowman, Cook, Messman, Porter/Janitor	\$ 22.68

Oiler(please add)\$ 0.09

**SUPPLEMENTAL BENEFITS**

Per Hour:

THE FOLLOWING SUPPLEMENTAL BENEFITS APPLY TO ALL CATEGORIES

All Classes A & B  
07/01/2016  
\$ 9.99 plus 8%  
of straight time  
wage, Overtime hours  
add \$ 0.63

All Class C  
\$ 9.69 plus 8%  
of straight time  
wage, Overtime hours  
add \$ 0.48

All Class D  
\$ 9.39 plus 8%  
of straight time  
wage, Overtime hours  
add \$ 0.33

**OVERTIME PAY**

See (B, F, R) on OVERTIME PAGE

**HOLIDAY**

Paid: See (1) on HOLIDAY PAGE  
Overtime: See (5, 6, 8, 15, 26) on HOLIDAY PAGE

4-25a-MarDredge

**Operating Engineer - Survey Crew**

**02/01/2017**

**JOB DESCRIPTION** Operating Engineer - Survey Crew

**DISTRICT** 12

**ENTIRE COUNTIES**

Albany, Allegany, Broome, Cayuga, Chemung, Chenango, Clinton, Columbia, Cortland, Essex, Franklin, Fulton, Greene, Hamilton, Herkimer, Jefferson, Lewis, Livingston, Madison, Monroe, Montgomery, Niagara, Oneida, Onondaga, Ontario, Oswego, Otsego, Rensselaer, Saratoga, Schenectady, Schoharie, Schuyler, Seneca, St. Lawrence, Steuben, Tioga, Tompkins, Warren, Washington, Wayne, Yates

**PARTIAL COUNTIES**

Dutchess: The northern portion of the county from the northern boundary line of the City of Poughkeepsie, north.  
Genesee: Only the portion of the county that lies east of a line down the center of Route 98 to include all area that lies within the City of Batavia.

**WAGES**

These rates apply to Building and Heavy Highway.

Per hour:

SURVEY CLASSIFICATIONS:

- Party Chief - One who directs a survey party.
- Instrument Person - One who operates the surveying instruments.
- Rod Person - One who holds the rods and assists the Instrument Person.

07/01/2016

Party Chief \$ 38.49  
Instrument Person 35.32  
Rod Person 26.03

Additional \$3.00 per hr. for work in a Tunnel.  
Additional \$2.50 per hr. for EPA or DEC certified toxic or hazardous waste work.

**SUPPLEMENTAL BENEFITS**

Per hour worked:

Journeyman \$ 23.70

**OVERTIME PAY**

See (B, E, P, T) on OVERTIME PAGE

**HOLIDAY**

Paid: See (5, 6) on HOLIDAY PAGE  
Overtime: See (5, 6) on HOLIDAY PAGE

**REGISTERED APPRENTICES**

WAGES: 1000 hour terms based on the Percentage of Rod Persons Wage:

07/01/2016

0-1000	60%
1001-2000	70%
2001-3000	80%

SUPPLEMENTAL BENIFIT per hour worked:

0-1000	\$ 15.57
1001-2000	\$ 18.17
2001-3000	\$ 20.77

12-158-545 D.H.H.

**Operating Engineer - Survey Crew - Consulting Engineer**

**02/01/2017**

**JOB DESCRIPTION** Operating Engineer - Survey Crew - Consulting Engineer

**DISTRICT** 12

**ENTIRE COUNTIES**

Albany, Allegany, Broome, Cayuga, Chemung, Chenango, Clinton, Columbia, Cortland, Essex, Franklin, Fulton, Greene, Hamilton, Herkimer, Jefferson, Lewis, Livingston, Madison, Monroe, Montgomery, Niagara, Oneida, Onondaga, Ontario, Oswego, Otsego, Rensselaer, Saratoga, Schenectady, Schoharie, Schuyler, Seneca, St. Lawrence, Steuben, Tioga, Tompkins, Warren, Washington, Wayne, Yates

**PARTIAL COUNTIES**

Dutchess: The northern portion of the county from the northern boundary line of the City of Poughkeepsie, north.  
Genesee: Only the portion of the county that lies east of a line down the center of Route 98 to include all area that lies within the City of Batavia.

**WAGES**

These rates apply to feasibility and preliminary design surveying, line and grade surveying for inspection or supervision of construction when performed under a Consulting Engineer Agreement.

Per hour:

**SURVEY CLASSIFICATIONS:**

- Party Chief - One who directs a survey party.
- Instrument Person - One who operates the surveying instruments.
- Rod Person - One who holds the rods and assists the Instrument Person.

07/01/2016

Party Chief	\$ 38.49
Instrument Person	35.32
Rod Person	26.03

Additional \$3.00 per hr. for work in a Tunnel.  
Additional \$2.50 per hr. for EPA or DEC certified toxic or hazardous waste work.

**SUPPLEMENTAL BENEFITS**

Per hour worked:

Journeyman	\$ 23.70
------------	----------

**OVERTIME PAY**

See (B, E, P, T) on OVERTIME PAGE

**HOLIDAY**

Paid: See (5, 6) on HOLIDAY PAGE  
Overtime: See (5, 6) on HOLIDAY PAGE

**REGISTERED APPRENTICES**

WAGES: 1000 hour terms based on percentage of Rod Persons Wage:

07/01/2016

0-1000	60%
1001-2000	70%
2001-3000	80%

SUPPLEMENTAL BENIFIT per hour worked:

0-1000	\$ 15.57
1001-2000	\$ 18.17
2001-3000	\$ 20.77

12-158-545 DCE

**Operating Engineer - Tunnel**

**02/01/2017**

**JOB DESCRIPTION** Operating Engineer - Tunnel

**DISTRICT 7**

**ENTIRE COUNTIES**

Albany, Allegany, Broome, Cayuga, Chemung, Chenango, Clinton, Columbia, Cortland, Essex, Franklin, Fulton, Greene, Hamilton, Herkimer, Jefferson, Lewis, Livingston, Madison, Monroe, Montgomery, Oneida, Onondaga, Ontario, Oswego, Otsego, Rensselaer, Saratoga, Schenectady, Schoharie, Schuyler, Seneca, St. Lawrence, Steuben, Tioga, Tompkins, Warren, Washington, Wayne, Yates

**PARTIAL COUNTIES**

Dutchess: Northern part of Dutchess to the northern boundary line of the City of Poughkeepie then due east to Route 115 to Bedelt Road then east along Bedelt Road to VanWagner Road then north along VanWagner Road to Bower Road then east along Bower Road to Rte. 44 east to Rte. 343 then along Rte. 343 east to the northern boundary of the Town of Dover Plains and east along the northern boundary of the Town of Dover Plains to Connecticut.

Genesee: Only that portion of the county that lies east of a linedrawn down the center of Route 98 and the entirety of the City of Batavia.

**WAGES**

Crane 1: All cranes, including self erecting to be paid \$4.00 per hour over the Class A rate.

Crane 2: All Lattice Boom Cranes and all other cranes with a manufacturer's rating of fifty (50) ton and over to be paid \$3.00 per hour over Class A rate.

Crane 3: All hydraulic cranes and derricks with a manufacturer's rating of forty nine (49) ton nad below, including boom trucks, to be paid \$2.00 per hour over Class A rate.

CLASS A: Automatic Concrete Spreader (CMI Type); Automatic Fine Grader; Backhoe (except tractor-mounted, rubber tired); Belt Placer (CMI Type); Blacktop Plant (Automated); Cableway; Caisson Auger; Central Mix Concrete Plant (Automated); Concrete Curb Machine (Self-propelled slipform) Concrete Pump (8" or over); Dredge; Dual Drum Paver; Any Mechanical Shaft Drill; Excavator (all purpose-hydraulic-Gradall or Similar); Fork Lift (factory rated 15 ft and over); Front End Loader (4 c.y. & over); Gradall; Head Tower (Sauerman or Equal), Hoist Shaft; Hoist (two or three Drum); Mine Hoist; Maintenance Engineer (Shaft and Tunnel) ; Mine Hoist; Mucking Machine or Mole, Overhead Crane (Gantry or Straddle Type); Pile Driver; Power Grader; Remote Controlled Mole or Tunnel Mach.; Scraper; Shovel; Side Boom; Slip Form Paver (If a second man is needed, he shall be an Oiler); Tractor Drawn Belt Type Loader; Tripper/Maintenance Eng.(Shaft & Tunnel); Truck or Trailer Mounted Log Chipper (self-feeding); Tug Operator (Manned rented equip. excluded); Tunnel Shovel; Mining Machine(Mole and Similar Types).

CLASS B: Automated Central Mix Concrete Plant; Backhoe Trac-Mtd, Rubber Tired); Backhoe (topside); Bitum. Spred. & Mixer, Blacktop Plant non-automated); Blast or Rotary Drill (Truck or Tractor Mounted); Boring Machine; Cage Hoist; Central Mix Plant(NonAutomated) and All Concrete Batching Plants; Compressors (4 or less exceeding 2,000 c.f.m. combined capacity); Concrete Pump; Crusher; Diesel Power Unit; Drill Rigs (Tractor Mounted); Front End Loader (under 4 c.y.); Grayco Epoxy Machine; Hoist (One Drum); Hoist 2 or 3 Drum (Topside); Kolman Plant Loader & Similar Type Loaders (if Employer requires another person to clean the screen or to maintain the equipment, he shall be an Oiler); L.C.M. Work Boat Operator; Locomotive; Maint. Eng. (Topside ); Grease Man; Welder; Mixer (for stabilized base-self propelled); Monorail Machine; Plant Eng.; Personnel Hoist; Pump Crete; Ready Mix Concrete Plant; Refrigeration Equipment (for soil stabilization); Road Widener; Roller (all above sub-grade); Sea Mule; Shotcrete Mach.; Shovel (Topside); Tractor with Dozer and/or Pusher; Trencher; Tugger Hoist; Tunnel Locomotive; Winch and Winch Cat.

CLASS C: A Frame Truck; Ballast Regulator (ride-on); Compressors (4 under 2,000 cfm combined capacity; or 3 or less with more than 1200 cfm. but not to exceed 2,000 cfm); Compressors (any size but subject to other provisions for compressors-Dust Collectors, Generators, Pumps, Welding Machines, Light Plants-4 of any type or combination); Concrete Pavement Spreaders and Finishers; Conveyor; Drill (core); Drill well; Elec Pump Used in Conjunction with Well Point System; Farm Tractor with Accessories; Fine Grade Machine; ForkLift (under 15 ft); Grout Pump (over (5) cu. ft.; Gunite Machine; Hammers (hydraulic- self propel.); Hydra-Spiker-Ride on; Hydra-Blaster; Hydra Blaster (water); Motorized Form Carrier; Post Hole Digger & Post Driver; Power Sweep; Roller grade & fill); Scarifer (Ride on); Span-Saw (Ride-on); Submersible Electric Pump (when used in lieu of well point system); Tamper (Ride-on); Tie-Extractor, Tie Handler, Tie Inserter, Tie Spacer and Track Liner (Ride-on); Tractor (with towed accessories); Vibratory Compactor; Vibro Tamp, Well Point.

CLASS D: Aggregate Plant; Cement & Bin Operator; Compressors( 3 or less not to exceed 1,200 c.f.m. combined capacity); Compressors( any size, but subject to other provisions for compressors-Dust Collectors, Generators, Pumps, Welding Machines, Light Plants-3 or less-any type or combination); Concrete Saw (self propelled); Fireman; Form Tamper; Hydraulic Pump (jacking system); Light Plants; Mulching Machine; Oiler; Parapet Concrete or Pavement Grinder; Power Broome towed; Power Heaterman; Revinius Widener; Shell Winder; Steam Cleaner and Tractor; Greaseman; Junior Engineer.

Per hour:	07/01/2016	07/01/2017	07/01/2018
Crane 1	\$ 45.94	\$ 47.15	\$ 48.74
Crane 2	44.94	46.15	47.74
Crane 3	43.94	45.15	46.74
Master Mechanic	44.20	45.49	47.15

CLASS A	41.94	43.15	44.74
CLASS B	40.72	41.93	43.52
CLASS C	37.93	39.14	40.73
CLASS D	34.92	36.13	37.72

On hazardous waste work bid, on a state or federally designated hazardous waste site, where the Operating Engineer is in direct contact with hazardous material and when personal protective equipment is required for respiratory, skin and eye protection, the Operating Engineer shall receive the hourly wage plus \$5.00 per hour. Fringe benefits will be paid at the contractual hourly wage.

**SUPPLEMENTAL BENEFITS**

Per hour paid:

	\$ 26.20	\$ 27.20	\$ 27.90
--	----------	----------	----------

**OVERTIME PAY**

See (B, B2, E, Q) on OVERTIME PAGE

**HOLIDAY**

Paid: See (5, 6) on HOLIDAY PAGE  
 Overtime: See (5, 6) on HOLIDAY PAGE

**REGISTERED APPRENTICES**

WAGES:(1000) hours terms at the following percentage of Journeyman's wage.

1st term	60% of Class B
2nd term	65% of Class B
3rd term	70% of Class B
4th term	75% of Class B

SUPPLEMENTAL BENEFITS per hour paid:

\$ 26.20	\$ 26.20	\$ 27.90
----------	----------	----------

7-158-832TL.

**Painter**

**02/01/2017**

**JOB DESCRIPTION** Painter

**DISTRICT 1**

**ENTIRE COUNTIES**

Essex, Hamilton, Warren, Washington

**WAGES**

Per hour	07/01/2016	05/01/2017 Additional	05/01/2018 Additional
Painter\Wallcover	\$ 29.00	\$ 1.40	\$ 1.40
Drywall Finishers	29.00	1.40	1.40
Spray Rate	29.00	1.40	1.40
Structural Steel*	30.00	1.40	1.40
Lead Abatement	30.00	1.40	1.40
Lead Abatement on structural Steel	31.00	1.40	1.40

(\*)Employees working on objects with the use of swing stage, boatswain chair, pick and cables only will be paid at Structural Steel rate.

**Bridge Painter**

See Bridge Painter rates for the following work:  
 All Bridges and Tanks

**SUPPLEMENTAL BENEFITS**

Per hour worked

Journeyman	\$ 12.61
------------	----------

**OVERTIME PAY**

See (B, E2, H) on OVERTIME PAGE

**HOLIDAY**

Paid: See (1) on HOLIDAY PAGE  
 Overtime: See (5, 6) on HOLIDAY PAGE

Note: If the holiday falls on Sunday, it shall be observed on Monday.

**REGISTERED APPRENTICES**

Wages per hour

1000 hour terms at the following percentage of Journeyman's wage.

1st	2nd	3rd	4th	5th	6th
45%	50%	60%	70%	80%	90%

Supplemental Benefits per hour worked

All terms \$ 12.61

1-466-Z2

**Painter - Bridge & Structural Steel** **02/01/2017**

**JOB DESCRIPTION** Painter - Bridge & Structural Steel

**DISTRICT 8**

**ENTIRE COUNTIES**

Albany, Bronx, Clinton, Columbia, Dutchess, Essex, Franklin, Fulton, Greene, Hamilton, Kings, Montgomery, Nassau, New York, Orange, Putnam, Queens, Rensselaer, Richmond, Rockland, Saratoga, Schenectady, Schoharie, Suffolk, Sullivan, Ulster, Warren, Washington, Westchester

**WAGES**

Per Hour Worked:

STEEL:

Bridge Painting: 07/01/2016

From May 1st to Nov. 15th -

\$ 49.00  
 + 6.13\*

From Nov. 16th to April 30th -

\$ 49.00  
 + 6.13\*

\*Not subject to overtime and limited to first 40 hours

NOTE: All premium wages are to be calculated on \$48.00 or \$49.00 per hour only.

EXCEPTION: During the period of May 1st to November 15th, for the first and last week of employment on the project, and for the weeks of Memorial Day, Independence Day and Labor Day, this rate shall be paid for the actual number of hours worked.

Power Tool/Spray is an additional \$6.00 per hour above hourly rate, whether straight time or overtime

NOTE: Generally, for Bridge Painting Contracts, ALL WORKERS on and off the bridge (including Flagmen) are to be paid Painter's Rate; the contract must be ONLY for Bridge Painting.

**SUPPLEMENTAL BENEFITS**

Per Hour Worked:

Journeyworker: 07/01/2016

From May 1st to Nov. 15th -

Hourly Rate up to 40 hours \$ 29.95  
 Hourly Rate after 40 hours 7.50

From Nov. 16th to April 30th -

Hourly Rate up to 50 hours 29.70  
 Hourly Rate after 50 hours 7.50

EXCEPTION: During the period of May 1st to November 15th, for the first and last week of employment on the project, and for the weeks of Memorial Day, Independence Day and Labor Day, this rate shall be paid for the actual number of hours worked.

**OVERTIME PAY**

See (A, F, R) on OVERTIME PAGE

**HOLIDAY**

Paid: See (1) on HOLIDAY PAGE  
 Overtime: See (4, 6) on HOLIDAY PAGE

**REGISTERED APPRENTICES**

(Wage per hour Worked):

Apprentices: (1) year terms

07/01/2016

1st 90 days \$ 22.05  
 1st year after 90 days 22.05  
 2nd year 33.08

3rd year 44.10

Supplemental Benefits per hour worked:  
 07/01/2016

1st 90 days \$ 9.23  
 1st year after 90 days 11.98  
 2nd year 17.97  
 3rd year 23.96

8-DC-9/806/155-BrSS

**Painter - Line Striping** **02/01/2017**

**JOB DESCRIPTION** Painter - Line Striping **DISTRICT 8**

**ENTIRE COUNTIES**  
 Albany, Bronx, Clinton, Columbia, Dutchess, Essex, Franklin, Fulton, Greene, Hamilton, Kings, Montgomery, Nassau, New York, Orange, Putnam, Queens, Rensselaer, Richmond, Rockland, Saratoga, Schenectady, Schoharie, Suffolk, Sullivan, Ulster, Warren, Washington, Westchester

**WAGES**

Per hour:

Painter (Striping-Highway): 07/01/2016  
 Striping-Machine Operator\* \$ 27.11  
 Linerman Thermoplastic \$ 32.37

Note: \* Includes but is not limited to: Positioning of cones and directing of traffic using hand held devices. Excludes the Driver/Operator of equipment used in the maintenance and protection of traffic safety

Four (4), ten (10) hour days may be worked at straight time during a week, Monday thru Thursday. Friday may be used as a make-up day.

NOTE - In order to use the '4 Day/10 Hour Work Schedule,' as your normal schedule, you must submit an 'Employer Registration for Use of 4 Day/10 Hour Work Schedule,' form PW30R; and there must be a dispensation of hours in place on the project. If the PW30R is not submitted you may be liable for overtime payments for work over 8 hours per day.

**SUPPLEMENTAL BENEFITS**

Per hour paid: 07/01/2016  
 Journeyworker:

Striping-Machine operator \$ 14.18  
 Linerman Thermoplastic \$ 14.55

**OVERTIME PAY**

See (B, E, E2, F, S) on OVERTIME PAGE

**HOLIDAY**

Paid: See (5, 20) on HOLIDAY PAGE  
 Overtime: See (5, 8, 11, 12, 15, 16, 17, 20, 21, 22) on HOLIDAY PAGE

8-1456-LS

**Painter - Metal Polisher** **02/01/2017**

**JOB DESCRIPTION** Painter - Metal Polisher **DISTRICT 8**

**ENTIRE COUNTIES**  
 Albany, Allegany, Bronx, Broome, Cattaraugus, Cayuga, Chautauqua, Chemung, Chenango, Clinton, Columbia, Cortland, Delaware, Dutchess, Erie, Essex, Franklin, Fulton, Genesee, Greene, Hamilton, Herkimer, Jefferson, Kings, Lewis, Livingston, Madison, Monroe, Montgomery, Nassau, New York, Niagara, Oneida, Onondaga, Ontario, Orange, Orleans, Oswego, Otsego, Putnam, Queens, Rensselaer, Richmond, Rockland, Saratoga, Schenectady, Schoharie, Schuyler, Seneca, St. Lawrence, Steuben, Suffolk, Sullivan, Tioga, Tompkins, Ulster, Warren, Washington, Wayne, Westchester, Wyoming, Yates

**WAGES**

	07/01/2016	06/01/2017
Metal Polisher	\$ 28.88	\$ 29.73
Metal Polisher**	29.83	30.68
Metal Polisher***	32.38	33.23

\*\*Note: Applies on New Construction & complete renovation

\*\*\* Note: Applies when working on scaffolds over 34 feet.

**SUPPLEMENTAL BENEFITS**

Per Hour: 07/01/2016 06/01/2017

Journeyworker:  
All classification \$ 9.26 \$ 9.41

**OVERTIME PAY**

See (B, E, E2, P, T) on OVERTIME PAGE

**HOLIDAY**

Paid: See (5, 6, 11, 15, 16, 25, 26) on HOLIDAY PAGE  
Overtime: See (5, 6, 9, 11, 15, 16, 25, 26) on HOLIDAY PAGE

**REGISTERED APPRENTICES**

Wages per hour:

One (1) year term at the following wage rates:

07/01/2016

1st year \$ 11.75  
2nd year 13.00  
3rd year 15.75

Supplemental benefits:

Per hour paid:

1st year \$ 6.26  
2nd year 6.37  
3rd year 6.51

8-8A/28A-MP

---

**Plumber**

**02/01/2017**

**JOB DESCRIPTION** Plumber

**DISTRICT 1**

**ENTIRE COUNTIES**

Essex, Franklin

**PARTIAL COUNTIES**

Hamilton: The Townships of Long Lake and Indian Lake

**WAGES**

Per hour

07/01/2016

Plumber &  
Steamfitter \$ 36.35

**SUPPLEMENTAL BENEFITS**

Per hour worked

Journeyman \$ 18.25  
+ 9.93\*

\* This portion of the benefit is subject to the SAME PREMIUM as shown for overtime.

**OVERTIME PAY**

See (B, E, Q) on OVERTIME PAGE

**HOLIDAY**

Paid: See (1) on HOLIDAY PAGE  
Overtime: See (5, 6, 16, 23) on HOLIDAY PAGE

Note: Whenever a Holiday falls on a Saturday, the preceding day, Friday, shall be observed as the Holiday. If a Holiday falls on a Sunday, the following day, Monday shall be observed as the Holiday.

**REGISTERED APPRENTICES**

Wages per hour

One year terms at the following percentage of Journeyman's wage

1st yr 50%



2nd yr	60%
3rd yr	70%
4th yr	80%
5th yr	90%

Supplemental Benefits per hour worked

1st yr	\$ 16.13 + 4.97*
2nd yr	16.55 + 5.96*
3rd yr	16.98 + 6.95*
4th yr	17.40 + 7.94*
5th yr	17.83 + 8.94*

\* This portion of the benefit is subject to the SAME PREMIUM as shown for overtime.

1-773-SF

**Roofer**

**02/01/2017**

**JOB DESCRIPTION** Roofer

**DISTRICT 1**

**ENTIRE COUNTIES**

Albany, Clinton, Columbia, Essex, Fulton, Greene, Hamilton, Montgomery, Rensselaer, Saratoga, Schenectady, Warren, Washington

**WAGES**

Per hour	07/01/2016	06/01/2017 Additional \$1.50
Roofer/Waterproofer	\$29.05	
Asphalt Cold Process	29.55	
Pitch & Asbestos	31.05	

**SUPPLEMENTAL BENEFITS**

Per hour worked	
Journeyman	\$ 17.27

**OVERTIME PAY**

See ( B, E\*, Q ) on OVERTIME PAGE.

\* Saturday may be used as a make up day at straight time if employee misses 8 hrs or more during that week due to inclement weather.

**HOLIDAY**

Paid: See (1) on HOLIDAY PAGE  
 Overtime: See (5, 6) on HOLIDAY PAGE

Note: When any Holiday falls on Saturday, the Friday before such Holiday shall be recognized as the legal Holiday. When a Holiday falls on Sunday, it shall be observed the following Monday.

**REGISTERED APPRENTICES**

Wages per hour

( 1/2 ) year terms at the following per cent of the Roofer/Waterproofer rate. For Pitch & Asbestos work, an additional \$2.00 must be paid in wages.

1st yr 1st half	50%
1st yr 2nd half	58%
2nd yr 1st half	66%
2nd yr 2nd half	74%
3rd yr 1st half	82%
3rd yr 2nd half	90%

Supplemental Benefits per hour worked

1st yr 1st half	\$ 15.50
1st yr 2nd half	15.69
2nd yr 1st half	15.92
2nd yr 2nd half	16.12
3rd yr 1st half	16.40
3rd yr 2nd half	16.60

1-241

**Sheetmetal Worker**

**02/01/2017**

**JOB DESCRIPTION** Sheetmetal Worker

**DISTRICT 1**

**ENTIRE COUNTIES**

Albany, Clinton, Columbia, Essex, Franklin, Fulton, Greene, Hamilton, Montgomery, Rensselaer, Saratoga, Schenectady, Schoharie, Warren, Washington

**WAGES**

Per hour

	07/01/2016	06/01/2017 Additional	06/01/2018 Additional
Sheetmetal Worker	\$32.76	\$1.50	\$1.60

All work requiring HAZWOPER Training additional \$1.00 per hour

**SUPPLEMENTAL BENEFITS**

Per hour worked

Journeyman	\$28.60
------------	---------

**OVERTIME PAY**

See ( B,E\*,Q,) on OVERTIME PAGE

\* Time and one half 1st 8 hours on Saturday. Double the hourly rate all additional Saturday hours.

**HOLIDAY**

Paid: See (1) on HOLIDAY PAGE  
 Overtime: See (5, 6) on HOLIDAY PAGE

When any holiday falls on Saturday, the Friday before such holiday shall be recognized as the legal holiday. Any holiday falling on Sunday, the following Monday shall be recognized as the legal holiday.

**REGISTERED APPRENTICES**

Wages per hour

6 Month Terms at the following rate:

1st term	49%
2nd term	53%
3rd term	55%
4th term	57%
5th term	62%
6th term	65%
7th term	70%
8th term	75%
9th term	80%
10th term	85%

Supplemental Benefits per hour worked

1st term	\$15.38
2nd term	16.30
3rd term	16.83
4th term	17.29
5th term	23.47
6th term	23.87
7th term	24.55
8th term	25.23
9th term	25.90
10th term	27.26

1-83

**Sprinkler Fitter**

**02/01/2017**

**JOB DESCRIPTION** Sprinkler Fitter

**DISTRICT 1**

**ENTIRE COUNTIES**

Allegany, Broome, Cattaraugus, Cayuga, Chautauqua, Chemung, Chenango, Clinton, Columbia, Cortland, Delaware, Erie, Essex, Franklin, Fulton, Genesee, Greene, Hamilton, Herkimer, Jefferson, Lewis, Livingston, Madison, Monroe, Montgomery, Niagara, Oneida, Onondaga, Ontario, Orleans, Oswego, Otsego, Schoharie, Schuyler, Seneca, St. Lawrence, Steuben, Tioga, Tompkins, Washington, Wayne, Wyoming, Yates

**WAGES**

Per hour	07/01/2016
Sprinkler	\$ 31.66

Fitter

**SUPPLEMENTAL BENEFITS**

Per hour worked

Journeyman \$ 21.02

**OVERTIME PAY**

See (B, E, Q) on OVERTIME PAGE

**HOLIDAY**

Paid: See (1) on HOLIDAY PAGE

Overtime: See (5, 6) on HOLIDAY PAGE

Note: When a holiday falls on Sunday, the following Monday shall be considered a holiday and all work performed on either day shall be at the double time rate. When a holiday falls on Saturday, the preceding Friday shall be considered a holiday and all work performed on either day shall be at the double time rate.

**REGISTERED APPRENTICES**

Wages per hour

For Apprentices HIRED PRIOR TO 04/01/2010:

One Half Year terms at the following percentage of journeyman's wage.

1st	2nd	3rd	4th	5th	6th	7th	8th	9th	10th
50%	50%	55%	60%	65%	70%	75%	80%	85%	90%

Supplemental Benefits per hour worked

1st	2nd	3rd	4th	5th	6th	7th	8th	9th	10th
\$ 8.15	\$ 8.15	\$ 15.12	\$ 15.12	\$21.02	\$21.02	\$21.02	\$21.02	\$21.02	\$21.02

For Apprentices HIRED ON OR AFTER 04/01/2010:

One Half Year terms at the following percentage of journeyman's wage.

1st	2nd	3rd	4th	5th	6th	7th	8th	9th	10th
45%	50%	55%	60%	65%	70%	75%	80%	85%	90%

Supplemental Benefits per hour worked

1st	2nd	3rd	4th	5th	6th	7th	8th	9th	10th
\$ 8.56	\$ 8.60	\$ 15.37	\$ 15.41	\$ 15.96	\$ 16.00	\$ 16.05	\$ 16.09	\$ 16.14	\$ 16.18

For Apprentices HIRED ON OR AFTER 04/01/2013:

One Half Year terms at the following percentage of journeyman's wage.

1st	2nd	3rd	4th	5th	6th	7th	8th	9th	10th
45%	50%	55%	60%	65%	70%	75%	80%	85%	90%

Supplemental Benefits per hour worked

1st	2nd	3rd	4th	5th	6th	7th	8th	9th	10th
\$ 7.90	\$ 7.90	\$ 15.12	\$ 15.12	\$ 15.37	\$ 15.37	\$ 15.37	\$ 15.37	\$ 15.37	\$ 15.37

1-669

**Teamster - Building**

**02/01/2017**

**JOB DESCRIPTION** Teamster - Building

**DISTRICT** 7

**ENTIRE COUNTIES**

Clinton, Essex, Franklin, Jefferson, St. Lawrence

**PARTIAL COUNTIES**

Lewis: Only the Townships of Croghan, Denmark, Diana, New Bremen, Harrisburg, Montague, Osceola and Pinckney.

Oswego: Only the Towns of Boylston, Redfield, and Sandy Creek.

Warren: Only the Townships of Hague, Horicon, Chester and Johnsburg.

**WAGES**

GROUP # 1: Fuel Trucks, Fork Lift (Warehouse & Storage Area Only), Bus, Warehouse, Yardman, Truck Helper, Pickups, Panel Truck, Flatbody Material Trucks (straight Jobs), Single axle Dump Trucks, Dumpsters, Material Checkers & Receivers, Greasers, Tiremen, Mechanic Helpers and Parts Chasers.

GROUP # 2: Tandems, Mechanics & Batch Trucks.

GROUP # 3: Semi Trailers, Low Boys, Asphalt Distributor Trucks, and Agitator Mixer Truck, Dump Crete Type Vehicles and 3 axle Dump trucks.

GROUP # 4: Asbestos Removal, Special earth moving Euclid type or similar off highway equip.(non self load.) Articulated and all-track dump trucks.

Wages per hour

07/01/2016

Building:

Group #1 \$ 23.58

Group #2 24.58

Group #3 24.68

Group #4 23.84

**SUPPLEMENTAL BENEFITS**

Per hour worked:

All groups \$ 21.51

**OVERTIME PAY**

See (B, E, Q) on OVERTIME PAGE

**HOLIDAY**

Paid: See (1) on HOLIDAY PAGE

Overtime: See (5, 6) on HOLIDAY PAGE

7-687B

**Teamster - Heavy&Highway**

**02/01/2017**

**JOB DESCRIPTION** Teamster - Heavy&Highway

**DISTRICT 7**

**ENTIRE COUNTIES**

Clinton, Essex, Franklin, Jefferson, St. Lawrence

**PARTIAL COUNTIES**

Lewis: Only the Townships of Croghan, Denmark, Diana, New Bremen,Harrisburg, Montague, Osceola and Pinckney.

Oswego: Only the Towns of Boyston, Redfield, and Sandy Creek.

Warren: Only the Townships of Hague, Horicon, Chester and Johnsburg.

**WAGES**

GROUP 1: Warehousemen, Yardmen, Truck Helpers, Pickups, Panel Trucks, Flatboy Material Trucks(straight jobs), Single Axle Dump Trucks, Dumpsters, Material Checkers and Receivers, Greasers, Truck Tiremen, Mechanics Helpers and Parts Chasers. Fork Lift (storage & warehouse areas only) Tandems and Batch Trucks, Mechanics, Dispatcher. Semi-Trailers, Low-boy Trucks, Asphalt Distributor Trucks, and Agitator, Mixer Trucks and dumpcrete type vehicles, Truck Mechanic,Fuel Truck.

GROUP 2: Specialized Earth Moving Equipment, Euclid type, or similar off-highway where not self-loading, Straddle (Ross) Carrier, and self-contained concrete mobile truck. Off-highway Tandem Back-Dump, Twin Engine Equipment and Double-Hitched Equipment where not self-loading.

Per hour:

07/01/2016

Heavy/Highway:

Group #1 \$ 25.82

Group #2 26.04

Additional \$1.50 per hr for hazardous waste removal work on a City, County, and/or Federal Designated waste site and regulations require employee to use or wear respiratory protection. For work bid on or after April 1, 1982 there shall be a 12 month carryover of the negotiated rate in effect at the time of the bid.

**SUPPLEMENTAL BENEFITS**

Per hour worked:

All classes \$ 23.52

**OVERTIME PAY**

See (B, E, Q) on OVERTIME PAGE

**HOLIDAY**

Paid: See (5, 6) on HOLIDAY PAGE  
Overtime: See (5, 6) on HOLIDAY PAGE

7-687

**Welder**

**02/01/2017**

**JOB DESCRIPTION** Welder

**DISTRICT 1**

**ENTIRE COUNTIES**

Albany, Allegany, Bronx, Broome, Cattaraugus, Cayuga, Chautauqua, Chemung, Chenango, Clinton, Columbia, Cortland, Delaware, Dutchess, Erie, Essex, Franklin, Fulton, Genesee, Greene, Hamilton, Herkimer, Jefferson, Kings, Lewis, Livingston, Madison, Monroe, Montgomery, Nassau, New York, Niagara, Oneida, Onondaga, Ontario, Orange, Orleans, Oswego, Otsego, Putnam, Queens, Rensselaer, Richmond, Rockland, Saratoga, Schenectady, Schoharie, Schuylers, Seneca, St. Lawrence, Steuben, Suffolk, Sullivan, Tioga, Tompkins, Ulster, Warren, Washington, Wayne, Westchester, Wyoming, Yates

**WAGES**

Per hour 07/01/2016

Welder: To be paid the same rate of the mechanic performing the work.\*

\*EXCEPTION: If a specific welder certification is required, then the 'Certified Welder' rate in that trade tag will be paid.

**OVERTIME PAY**

**HOLIDAY**

1-As Per Trade

## Overtime Codes

Following is an explanation of the code(s) listed in the OVERTIME section of each classification contained in the attached schedule. Additional requirements may also be listed in the HOLIDAY section.

NOTE: Supplemental Benefits are 'Per hour worked' (for each hour worked) unless otherwise noted

- ( AA ) Time and one half of the hourly rate after 7 and one half hours per day
- ( A ) Time and one half of the hourly rate after 7 hours per day
- ( B ) Time and one half of the hourly rate after 8 hours per day
- ( B1 ) Time and one half of the hourly rate for the 9th & 10th hours week days and the 1st 8 hours on Saturday.  
Double the hourly rate for all additional hours
- ( B2 ) Time and one half of the hourly rate after 40 hours per week
- ( C ) Double the hourly rate after 7 hours per day
- ( C1 ) Double the hourly rate after 7 and one half hours per day
- ( D ) Double the hourly rate after 8 hours per day
- ( D1 ) Double the hourly rate after 9 hours per day
- ( E ) Time and one half of the hourly rate on Saturday
- ( E1 ) Time and one half 1st 4 hours on Saturday; Double the hourly rate all additional Saturday hours
- ( E2 ) Saturday may be used as a make-up day at straight time when a day is lost during that week due to inclement weather
- ( E3 ) Between November 1st and March 3rd Saturday may be used as a make-up day at straight time when a day is lost during that week due to inclement weather, provided a given employee has worked between 16 and 32 hours that week
- ( E4 ) Saturday and Sunday may be used as a make-up day at straight time when a day is lost during that week due to inclement weather
- ( E5 ) Double time after 8 hours on Saturdays
- ( F ) Time and one half of the hourly rate on Saturday and Sunday
- ( G ) Time and one half of the hourly rate on Saturday and Holidays
- ( H ) Time and one half of the hourly rate on Saturday, Sunday, and Holidays
- ( I ) Time and one half of the hourly rate on Sunday
- ( J ) Time and one half of the hourly rate on Sunday and Holidays
- ( K ) Time and one half of the hourly rate on Holidays
- ( L ) Double the hourly rate on Saturday
- ( M ) Double the hourly rate on Saturday and Sunday
- ( N ) Double the hourly rate on Saturday and Holidays
- ( O ) Double the hourly rate on Saturday, Sunday, and Holidays
- ( P ) Double the hourly rate on Sunday
- ( Q ) Double the hourly rate on Sunday and Holidays
- ( R ) Double the hourly rate on Holidays
- ( S ) Two and one half times the hourly rate for Holidays, if worked

- ( S1 ) Two and one half times the hourly rate the first 8 hours on Sunday or Holidays One and one half times the hourly rate all additional hours.
- ( T ) Triple the hourly rate for Holidays, if worked
- ( U ) Four times the hourly rate for Holidays, if worked
- ( V ) Including benefits at SAME PREMIUM as shown for overtime
- ( W ) Time and one half for benefits on all overtime hours.

## Holiday Codes

### PAID Holidays:

Paid Holidays are days for which an eligible employee receives a regular day's pay, but is not required to perform work. If an employee works on a day listed as a paid holiday, this remuneration is in addition to payment of the required prevailing rate for the work actually performed.

### OVERTIME Holiday Pay:

Overtime holiday pay is the premium pay that is required for work performed on specified holidays. It is only required where the employee actually performs work on such holidays. The applicable holidays are listed under HOLIDAYS: OVERTIME. The required rate of pay for these covered holidays can be found in the OVERTIME PAY section listings for each classification.

Following is an explanation of the code(s) listed in the HOLIDAY section of each classification contained in the attached schedule. The Holidays as listed below are to be paid at the wage rates at which the employee is normally classified.

- ( 1 ) None
- ( 2 ) Labor Day
- ( 3 ) Memorial Day and Labor Day
- ( 4 ) Memorial Day and July 4th
- ( 5 ) Memorial Day, July 4th, and Labor Day
- ( 6 ) New Year's, Thanksgiving, and Christmas
- ( 7 ) Lincoln's Birthday, Washington's Birthday, and Veterans Day
- ( 8 ) Good Friday
- ( 9 ) Lincoln's Birthday
- ( 10 ) Washington's Birthday
- ( 11 ) Columbus Day
- ( 12 ) Election Day
- ( 13 ) Presidential Election Day
- ( 14 ) 1/2 Day on Presidential Election Day
- ( 15 ) Veterans Day
- ( 16 ) Day after Thanksgiving
- ( 17 ) July 4th
- ( 18 ) 1/2 Day before Christmas
- ( 19 ) 1/2 Day before New Years
- ( 20 ) Thanksgiving
- ( 21 ) New Year's Day
- ( 22 ) Christmas
- ( 23 ) Day before Christmas
- ( 24 ) Day before New Year's
- ( 25 ) Presidents' Day
- ( 26 ) Martin Luther King, Jr. Day
- ( 27 ) Memorial Day





**New York State Department of Labor - Bureau of Public Work  
State Office Building Campus  
Building 12 - Room 130  
Albany, New York 12240**

**REQUEST FOR WAGE AND SUPPLEMENT INFORMATION**

As Required by Articles 8 and 9 of the NYS Labor Law

Fax (518) 485-1870 or mail this form for new schedules or for determination for additional occupations.

**This Form Must Be Typed**

Submitted By: \_\_\_\_\_

(Check Only One)

Contracting Agency     Architect or Engineering Firm     Public Work District Office    Date: \_\_\_\_\_

**A. Public Work Contract to be let by:** (Enter Data Pertaining to Contracting/Public Agency)

1. Name and complete address  (Check if new or change)

Telephone: (    )

Fax: (    )

E-Mail: \_\_\_\_\_

2. NY State Units (see Item 5)

- |   |  |
|---|--|
| <input type="checkbox"/> 01 DOT                                   | <input type="checkbox"/> 07 City   |
| <input type="checkbox"/> 02 OGS                                   | <input type="checkbox"/> 08 Local School District  |
| <input type="checkbox"/> 03 Dormitory Authority                   | <input type="checkbox"/> 09 Special Local District, i.e.,<br>Fire, Sewer, Water District |
| <input type="checkbox"/> 04 State University<br>Construction Fund | <input type="checkbox"/> 10 Village  |
| <input type="checkbox"/> 05 Mental Hygiene<br>Facilities Corp.    | <input type="checkbox"/> 11 Town   |
| <input type="checkbox"/> 06 OTHER N.Y. STATE UNIT                 | <input type="checkbox"/> 12 County   |
|   | <input type="checkbox"/> 13 Other Non-N.Y. State<br>(Describe)                           |

3. SEND REPLY TO  check if new or change)  
Name and complete address: \_\_\_\_\_

Telephone:(    )

Fax: (    )

E-Mail: \_\_\_\_\_

4. SERVICE REQUIRED. Check appropriate box and provide project information.

New Schedule of Wages and Supplements.

APPROXIMATE BID DATE : \_\_\_\_\_

Additional Occupation and/or Redetermination

PRC NUMBER ISSUED PREVIOUSLY FOR  
THIS PROJECT : \_\_\_\_\_

OFFICE USE ONLY

**B. PROJECT PARTICULARS**

5. Project Title \_\_\_\_\_

Description of Work \_\_\_\_\_

Contract Identification Number \_\_\_\_\_

Note: For NYS units, the OSC Contract No. \_\_\_\_\_

6. Location of Project:  
Location on Site \_\_\_\_\_

Route No/Street Address \_\_\_\_\_

Village or City \_\_\_\_\_

Town \_\_\_\_\_

County \_\_\_\_\_

7. Nature of Project - Check One:

- 1. New Building
- 2. Addition to Existing Structure
- 3. Heavy and Highway Construction (New and Repair)
- 4. New Sewer or Waterline
- 5. Other New Construction (Explain)
- 6. Other Reconstruction, Maintenance, Repair or Alteration
- 7. Demolition
- 8. Building Service Contract

8. OCCUPATION FOR PROJECT :

- |  |   |
|--|---|
| <input type="checkbox"/> Construction (Building, Heavy<br>Highway/Sewer/Water) | <input type="checkbox"/> Guards, Watchmen                                   |
| <input type="checkbox"/> Tunnel  | <input type="checkbox"/> Janitors, Porters, Cleaners,<br>Elevator Operators |
| <input type="checkbox"/> Residential   | <input type="checkbox"/> Moving furniture and<br>equipment                  |
| <input type="checkbox"/> Landscape Maintenance                                 | <input type="checkbox"/> Trash and refuse removal                           |
| <input type="checkbox"/> Elevator maintenance                                  | <input type="checkbox"/> Window cleaners                                    |
| <input type="checkbox"/> Exterminators, Fumigators                             | <input type="checkbox"/> Other (Describe)                                   |
| <input type="checkbox"/> Fire Safety Director, NYC Only                        |   |

9. Has this project been reviewed for compliance with the Wicks Law involving separate bidding?    YES     NO

10. Name and Title of Requester \_\_\_\_\_

**Signature**





NEW YORK STATE DEPARTMENT OF LABOR  
Bureau of Public Work - Debarment List

**LIST OF EMPLOYERS INELIGIBLE TO BID ON OR BE  
AWARDED ANY PUBLIC WORK CONTRACT**

Under Article 8 and Article 9 of the NYS Labor Law, a contractor, sub-contractor and/or its successor shall be debarred and ineligible to submit a bid on or be awarded any public work or public building service contract/sub-contract with the state, any municipal corporation or public body for a period of five (5) years from the date of debarment when:

- Two (2) final determinations have been rendered within any consecutive six-year (6) period determining that such contractor, sub-contractor and/or its successor has WILLFULLY failed to pay the prevailing wage and/or supplements
- One (1) final determination involves falsification of payroll records or the kickback of wages and/or supplements

NOTE: The agency issuing the determination and providing the information, is denoted under the heading 'Fiscal Officer'. DOL = NYS Dept. of Labor; NYC = New York City Comptroller's Office; AG = NYS Attorney General's Office; DA = County District Attorney's Office.

A list of those barred from bidding, or being awarded, any public work contract or subcontract with the State, under section 141-b of the Workers' Compensation Law, may be obtained at the following link, on the NYS DOL Website:

<https://dbr.labor.state.ny.us/EDList/searchPage.do>



**NYSDOL Bureau of Public Work Debarment List 01/04/2017**

**Article 8**

AGENCY	Fiscal Officer	FEIN	EMPLOYER NAME	EMPLOYER DBA NAME	ADDRESS	DEBARMENT START DATE	DEBARMENT END DATE
DOL	DOL		4618 FOSTER AVE LLC		C/O KAHAN & KAHAN 225 BROADWAY-SUITE 715NEW YORK NY 10007	02/05/2013	02/05/2018
DOL	DOL	****0996	A-1 CONSTRUCTION & RENOVATION INC		1973 81ST ST - SUITE A-5 BROOKLYN NY 11214	01/08/2015	01/08/2020
DOL	NYC	****4486	ABBEY PAINTING CORP		21107 28TH AVENUE BAYSIDE NY 11360	07/02/2012	07/02/2017
DOL	DOL	****9095	ABDO TILE CO		6179 EAST MOLLOY ROAD EAST SYRACUSE NY 13057	06/25/2010	07/02/2017
DOL	DOL	****9095	ABDO TILE COMPANY		6179 EAST MOLLOY ROAD EAST SYRACUSE NY 13057	06/25/2010	07/02/2017
DOL	NYC		ABDUL KARIM		C/O NORTH AMERICAN IRON W 1560 DECATUR STREETRIDGWOOD NY 11385	05/15/2015	05/15/2020
DOL	DOL	****8488	ABELCRAFT OF NEW YORK CORP		640 ASHFORD AVENUE ARDSLEY NY 10502	08/27/2013	08/27/2018
DOL	DOL	****1219	ABSOLUTE GENERAL CONTRACTING INC		1229 AVENUE U BROOKLYN NY 11229	01/28/2013	01/28/2018
DOL	DOL	****4539	ACCOMPLISHED WALL SYSTEMS INC		112 OSCAWANA HEIGHTS ROAD PUTNAM VALLEY NY 10542	08/27/2013	08/27/2018
DOL	DOL	****8018	ACCURATE MECHANICAL LLC		9547 BUSTLETON AVENUE PHILADELPHIA PA 19115	02/05/2014	02/05/2019
DOL	DOL		ACCURATE MECHANICAL OF PHILADELPHIA LLC		9547 BUSTLETON AVENUE PHILADELPHIA PA 19115	02/05/2014	02/05/2019
DOL	DOL	****3344	ACT INC		6409 LAND O LAKES BLVD LAND O LAKES FL 34638	11/10/2015	11/10/2020
DOL	DOL	****7584	ADAM'S FLOOR COVERING LLC		2718 CURRY ROAD SCHENECTADY NY 12303	07/08/2010	02/15/2017
DOL	DOL		ADESUWA UWUIGBE		P O BOX 21-1022 BROOKLYN NY 11221	05/16/2012	05/16/2017
DOL	NYC		ADRIANA SELA	C/O COLONIAL ROOFING COMPANY INC	247 48TH STREET BROOKLYN NY 11220	02/05/2014	02/05/2019
DOL	DOL	****6367	ADVANCED METALS		387 RIVERSIDE DRIVE JOHNSON CITY NY 13790	10/01/2012	10/01/2017
DOL	DOL	****1687	ADVANCED SAFETY SPRINKLER INC		261 MILL ROAD P O BOX 296EAST AURORA NY 14052	07/29/2015	07/29/2020
DOL	DOL	****2538	AGG MASONRY INC		160 72ND ST - SUITE 721 BROOKLYN NY 11209	03/19/2013	03/19/2018
DOL	DOL		AJ TORCHIA		10153 ROBERTS RD SAUQUOIT NY 13456	08/09/2016	08/09/2021
DOL	DOL		ALISHER KARIMOV		C/O AGG MASONRY INC 7105 3RD AVENUEBROOKLYN NY 11209	03/19/2013	03/19/2018
DOL	DOL	****3344	ALL CATASTROPHE CONSTRUCTION TEAM INC	ACT INC	6409 LAND O LAKES BLVD LAND O LAKES FL 34638	11/10/2015	11/10/2020
DOL	DOL	****8740	ALLSTATE ENVIRONMENTAL CORP		C/O JOSE MONTAS 27 BUTLER PLACEYONKERS NY 10710	03/18/2011	03/19/2020
DOL	DOL		AMADEO J TORCHIA	TORCHIA'S HOME IMPROVEMEN T	10153 ROBERTS RD SAUQUOIT NY 13456	08/09/2016	08/09/2021
DOL	DOL	****4274	AMERICAN STEEL MECHANICAL INC		693 PAINTER STREET MEDIA PA 19063	02/20/2013	02/20/2018
DOL	DOL		ANDREW DIPAUL		C/O CONSOLIDATED INDUSTRI 2051 ROUTE 44/55MODENA NY 12548	12/11/2012	12/11/2017
DOL	NYC		ANDRZEJ WROBEL		24 CONGRESS LANE SOUTH RIVER NJ 08882	05/01/2013	05/01/2018
DOL	NYC		ANISUL ISLAM		C/O RELIANCE GENERAL CONS 644 OCEAN PARKWAYBROOKLYN NY 11230	09/02/2015	09/02/2020
DOL	DOL	****7004	ANNEX CONTRACTING LTD		3005 WYNSUM AVENUE MERRICK NY 11566	08/18/2014	08/18/2019
DOL	DOL	****7004	ANNEX GENERAL CONTRACTING INC		3005 WYNSUM AVENUE MERRICK NY 11566	08/18/2014	08/18/2019
DOL	DA		ANTHONY CARDINALE		58-48 59TH STREET MASPETH NY 11378	05/16/2012	05/08/2020

**NYSDOL Bureau of Public Work Debarment List 01/04/2017**

**Article 8**

DOL	DOL		ANTHONY J MINGARELLI JR		C/O T & T CONCRETE INC 2560 HAMBURG TURNPIKELACKAWANNA NY 14218	07/08/2015	07/08/2020
DOL	DOL	****3020	APCO CONTRACTING CORP		24 SOUTH MARYLAND AVENUE PORT WASHINGTON NY 11050	09/24/2012	09/02/2020
DOL	DOL	****3219	APOLLO CONSTRUCTION SERVICES CORP	APOLLO PAINTING CO	157 TIBBETTS ROAD YONKERS NY 10705	03/12/2014	03/12/2019
DOL	DOL		APOLLO PAINTING CO		157 TIBBETTS ROAD YONKERS NY 10705	03/12/2014	03/12/2019
DOL	DOL	****3295	APOLLO PAINTING CORP		3 ALAN B SHEPART PLACE YONKERS NY 10705	03/12/2014	03/12/2019
DOL	AG	****0194	APPLIED CONSTRUCTION INC		46 RUGBY ROAD WESTBURY NY 11590	11/20/2013	11/20/2018
DOL	NYC	****8403	AQUA JET PAINTING CORP		10 VIKING DRIVE WEST ISLIP NY 11795	04/16/2014	04/16/2019
DOL	NYC	****9232	ARKAY CONSTRUCTION INC		102-104 GREYLOCK AVENUE BELLEVILLE NJ 07109	07/15/2015	07/15/2020
DOL	DOL	****3953	ASCAPE LANDSCAPE & CONSTRUCTION CORP		634 ROUTE 303 BLAUVELT NY 10913	07/26/2012	11/19/2018
DOL	NYC	****4779	ASTORIA GENERAL CONTRACTING CORP		35-34 31ST STREET LONG ISLAND CITY NY 11106	09/02/2015	09/02/2020
DOL	NYC	****7217	ASTRO COMMUNICATIONS OF NY CORP		79 ALEXANDER AVE- STE 36A BRONX NY 10454	10/30/2015	10/30/2020
DOL	NYC	****6046	ATLANTIC SUN CONSTRUCTION CORP		58-46 59TH AVENUE MASPETH NY 11378	05/08/2015	05/08/2020
DOL	NYC		AUDLEY O'BRIEN		1273 NORTH AVENUE/#1 CP NEW ROCHELLE NY 10804	04/07/2015	04/07/2020
DOL	DOL		AVIS R HILL		3510 HICKORY WALK LANE ELLENWOOD GA 32094	01/22/2015	01/22/2020
DOL	AG		AVTAR SINGH		116-24 127TH STREET SOUTH OZONE PARK NY 11420	12/22/2015	12/22/2020
DOL	AG		BALDEV SINGH		116-24 127TH STREET SOUTH OZONE PARK NY 11420	12/22/2015	12/22/2020
DOL	DOL		BARBARA CASSIDY		7 BLENIS PLACE VALHALLA NY 10595	04/02/2015	04/02/2020
DOL	DOL		BARRY KINNEY		6409 LAND O LAKES BLVD LAND O LAKES FL 34638	11/10/2015	11/10/2020
DOL	NYC	****3915	BEACON RESTORATION INC		SUITE B-8 782 PELHAM PARKWAY SOUTHBRONX NY 10462	04/21/2016	04/21/2021
DOL	DOL	****2294	BEDELL CONTRACTING CORP		2 TINA LANE HOPEWELL JUNCTION NY 12533	01/06/2012	01/06/2017
DOL	DOL		BEVERLY F WILLIAMS		1238 PRESIDENT STREET BROOKLYN NY 11225	11/18/2013	11/18/2018
DOL	DOL		BIAGIO CANTISANI		200 FERRIS AVENUE WHITE PLAINS NY 10603	12/04/2009	05/04/2017
DOL	DOL	****8551	BRANDY'S MASONRY		216 WESTBROOK STREET P O BOX 304 SAYRE PA 18840	08/09/2016	08/09/2021
DOL	NYC	****6555	BROOKLYN WELDING CORP		1273 NORTH AVENUE/ #1 CP NEW ROCHELLE NY 10804	04/07/2015	04/07/2020
DOL	DOL	****1449	BRRESTORATION NY INC		140 ARCADIA AVENUE OSWEGO NY 13126	09/12/2016	09/12/2021
DOL	DOL		BRUCE MORSEY		C/O KENT HOLLOW SIDING LL 29A BRIDGE STREET NEW MILFORD CT 06776	01/15/2016	01/15/2021
DOL	DOL	****6156	C & J LANDSCAPING & MAINTENANCE INC		520 PINE HILL ROAD CHESTER NY 10940	06/23/2014	06/23/2019
DOL	DOL		CANTISANI & ASSOCIATES LTD		442 FERRIS AVENUE WHITE PLAINS NY 10603	12/04/2009	05/04/2017
DOL	DOL		CANTISANI HOLDING LLC		220 FERRIS AVENUE WHITE PLAINS NY 10603	05/04/2012	05/04/2017
DOL	DOL		CARIBBEAN POOLS		C/O DOUGLAS L MALARKEY 64 VICTORIA DRIVE BINGHAMTON NY 13904	02/04/2016	02/04/2021
DOL	DOL	****1143	CARMODY BUILDING CORP		442 ARMONK ROAD MOUNT KISCO NY 10549	05/04/2012	05/04/2017
DOL	DOL	****3368	CARMODY CONCRETE CORP		442 ARMONK ROAD MOUNT KISCO NY 10549	12/04/2009	05/04/2017
DOL	DOL		CARMODY CONTRACTING CORP		220 FERRIS AVENUE WHITE PLAINS NY 10603	05/04/2012	05/04/2017
DOL	DOL	****6215	CARMODY CONTRACTING INC		220 FERRIS AVENUE WHITE PLAINS NY 10603	05/04/2012	05/04/2017

**NYS DOL Bureau of Public Work Debarment List 01/04/2017**

**Article 8**

DOL	DOL		CARMODY ENTERPRISES LTD		220 FERRIS AVENUE WHITE PLAINS NY 10603	12/04/2009	05/04/2017
DOL	DOL	****3812	CARMODY INC		442 ARMONK ROAD MOUNT KISCO NY 10549	12/04/2009	05/04/2017
DOL	DOL	****3812	CARMODY INDUSTRIES INC		442 FERRIS AVENUE WHITE PLAINS NY 10603	05/04/2012	05/04/2017
DOL	DOL		CARMODY MAINTENANCE CORP		105 KISCO AVENUE MOUNT KISCO NY 10549	05/04/2012	05/04/2017
DOL	DOL	****0324	CARMODY MASONRY CORP		442 ARMONK ROAD MOUNT KISCO NY 10549	12/04/2009	05/04/2017
DOL	DOL	****3812	CARMODY"2" INC		220 FERRIS AVENUE WHITE PLAINS NY 10603	12/04/2009	05/04/2017
DOL	NYC	****9172	CASSIDY EXCAVATING INC		14 RAILROAD AVENUE VALHALLA NY 10595	05/15/2014	04/02/2020
DOL	DOL	****1683	CATONE CONSTRUCTION COMPANY INC		294 ALPINE ROAD ROCHESTER NY 14423	03/09/2012	03/09/2017
DOL	DOL		CATONE ENTERPRISES INC		225 DAKOTA STREET ROCHESTER NY 14423	03/09/2012	03/09/2017
DOL	DOL	****6745	CATSKILL FENCE INSTALLATIONS INC		5445 ROUTE 32 CATSKILL NY 12414	08/22/2014	08/22/2019
DOL	DOL	****8530	CAZ CONTRACTING CORP		37-11 35TH AVENUE LONG ISLAND CITY NY 11101	08/26/2013	08/26/2018
DOL	DOL	****5556	CERTIFIED INSTALLERS INC		113 N MAPLE AVENUE GREENSBURG PA 15601	02/21/2013	02/21/2018
DOL	DOL	****7655	CHAMPION CONSTRUCTION SERVICES CORP		2131 SCHENECTADY AVENUE BROOKLYN NY 11234	11/18/2015	11/18/2020
DOL	NYC		CHARLES CASSIDY JR		14 RAILROAD AVENUE VALHALLA NY 10595	05/15/2014	04/02/2020
DOL	DOL		CHARLES ZIMMER JR		216 WESTBROOK STREET P O BOX 304SAYRE PA 18840	08/09/2016	08/09/2021
DOL	DOL	****1416	CHEROMINO CONTROL GROUP LLC		61 WILLET ST - SUITE 14 PASSAIC NJ 07055	12/03/2009	02/23/2017
DOL	DOL		CHRISTINE J HEARNE		C/O CJ-HEARNE CONSTRUCTIO 131 PONCE DE LEON AVE NEATLANTA GA 30308	12/01/2015	12/01/2020
DOL	DOL		CHRISTOF PREZBYL		2 TINA LANE HOPEWELL JUNCTION NY 12533	01/06/2012	01/06/2017
DOL	DOL	****3360	CITY LIMITS GROUP INC		2279 HOLLERS AVENUE BRONX NY 10475	01/07/2014	06/23/2019
DOL	DOL	****0671	CJ-HEARNE CONSTRUCTION CO		SUITE 204 131 PONCE DE LEON AVENUEATLANTA GA 30308	12/01/2015	12/01/2020
DOL	NYC	****2905	COLONIAL ROOFING COMPANY INC		247 48TH STREET BROOKLYN NY 11220	02/05/2014	02/05/2019
DOL	NYC	****3182	COLORTECH INC		5990 58TH AVENUE MASPETH NY 11378	11/18/2013	11/18/2018
DOL	DOL	****2703	CONKLIN'S TECH- MECHANICAL INC		5 PARKER AVENUE POUGHKEEPSIE NY 12601	03/25/2014	03/25/2019
DOL	DOL	****4175	CONSOLIDATED INDUSTRIAL SERVICES INC		2051 ROUTE 44/55 MODENA NY 12548	12/11/2012	01/28/2018
DOL	DOL		CONSTANTINOS ZERVAS		37-11 35TH AVENUE LONG ISLAND CITY NY 11101	08/26/2013	08/26/2018
DOL	NYC	****4468	CRAFT CONTRACTING GROUP INC		3256 BRUNER AVENUE BRONX NY 10469	07/29/2014	07/29/2019
DOL	NYC	****8507	CRAFT FENCE INC		3256 BRUNER AVENUE BRONX NY 10469	07/29/2014	07/29/2019
DOL	NYC	****2164	CREATIVE TRUCKING INC		58-83 54TH STREET MASPETH NY 11378	02/26/2016	02/26/2021
DOL	DOL	****0810	D & G PAINTING & DECORATING INC		53 LITTLE COLLABAR ROAD MONTGOMERY NY 12549	04/19/2012	04/19/2017
DOL	DOL	****7761	D L MALARKEY CONSTRUCTION		64 VICTORIA DRIVE BINGHAMTON NY 13904	02/04/2016	02/04/2021
DOL	DOL	****7888	D L MALARKEY CONSTRUCTION INC		64 VICTORIA DRIVE BINGHAMTON NY 13904	02/04/2016	02/04/2021
DOL	DOL	****5629	DAKA PLUMBING AND HEATING LLC		2561 ROUTE 55 POUGHQUAG NY 12570	02/19/2016	02/19/2021
DOL	DOL		DARYL T RIEKS		C/O RIEKS CONTRACTING LLC 4804 GAHWILER ROADAUBURN NY 13021	05/01/2015	05/01/2020
DOL	NYC	****7707	DASSLE CONTRACTING INC		213-37 39TH AVE/SUITE 120 BAYSIDE NY 11360	05/08/2015	05/08/2020
DOL	DOL		DAVID MARTINEZ		C/O EMPIRE TILE INC 6 TREMONT COURTHUNTINGTON STATION NY 11746	03/08/2016	03/08/2021

**NYSDOL Bureau of Public Work Debarment List 01/04/2017**

**Article 8**

DOL	NYC		DAWN AVILA AKA DAWN BECHTOLD		1ST FLOOR STORE FRONT 88-10 LITTLE NECK PARKWAYFLORAL PARK NY 11001	06/24/2014	06/24/2019
DOL	NYC		DAWN BECHTOLD AKA DAWN AVILA		1ST FLOOR STORE FRONT 88-10 LITTLE NECK PARKWAYFLORAL PARK NY 11001	06/24/2014	06/24/2019
DOL	DOL		DEAN ROBBINS III		212 OXFORD WAY SCHENECTADY NY 12309	12/11/2012	09/16/2018
DOL	NYC	****3865	DECOMA BUILDING CORPORATION		134 EVERGREEN PL/STE 101 EAST ORANGE NJ 07018	12/30/2013	12/30/2018
DOL	DOL		DEDA GAZIVODAN		C/O DAKA PLUMBING AND H 2561 ROUTE 55POUGHQUAG NY 12570	02/19/2016	02/19/2021
DOL	DOL	****1446	DELTA CONTRACTING PAINTING AND DECORATING INC		437 SUNRISE HIGHWAY WEST BABYLON NY 11707	08/12/2013	08/12/2018
DOL	DOL	****3538	DELTA CONTRACTING PAINTING AND DESIGN INC		75 MCCULLOCH DRIVE DIX HILLS NY 11746	10/19/2010	08/12/2018
DOL	DOL		DEMETRIOS KOUTSOURAS		530 BEECH STREET NEW HYDE PARK NY 11040	07/02/2012	07/02/2017
DOL	DOL		DENNIS SCHWANDTNER		C/O YES SERVICE AND REPAIR 325 RABRO DRIVE - SUITE 1HAUPPAUGE NY 11788	08/09/2016	08/09/2021
DOL	DOL	****9868	DESANTIS ENTERPRISES		161 OSWEGO RIVER ROAD PHOENIX NY 13135	09/24/2013	11/18/2018
DOL	NYC	****8234	DEWATERS PLUMBING AND HEATING LLC		30 COLUMBUS CIRCLE EASTCHESTER NY 10709	08/21/2012	08/21/2017
DOL	DOL	****9252	DI BERNARDO TILE AND MARBLE CO INC		15 WALKER WAY ALBANY NY 12205	03/21/2014	03/21/2019
DOL	DOL		DIANE DEAVER		731 WARWICK TURNPIKE HEWITT NJ 07421	06/25/2012	12/11/2017
DOL	NYC		DIMITRIOS KOUTSOUKOS		C/O ASTORIA GENERAL CONTR 35-34 31ST STREETLONG ISLAND CITY NY 11106	09/02/2015	09/02/2020
DOL	DA	****6789	DOL	DBA NAME QMC	BUILDING 12 ALBANY NY 12240	12/01/2017	12/01/2018
DOL	DOL		DORIS SKODA		C/O APCO CONTRACTING CORP 24 SOUTH MARYLAND AVENUEPORT WASHINGTON NY 11050	09/24/2012	09/02/2020
DOL	NYC	****7404	DOSANJH CONSTRUCTION CORP		9439 212TH STREET QUEENS VILLAGE NY 11428	02/25/2016	02/25/2021
DOL	DOL		DOUGLAS L MALARKEY	MALARKEY CONSTRUCTION	64 VICTORIA DRIVE B INGHAMTON NY 13904	02/04/2016	02/04/2021
DOL	DOL	****6982	DUFOUR GROUP INC	DUFOUR MASONRY	353 WEST 56TH STREET #7M NEW YORK NY 10019	06/10/2014	06/10/2019
DOL	DOL		DUFOUR MASONRY		353 WEST 56TH ST #7M NEW YORK NY 10019	06/10/2014	06/10/2019
DOL	DOL		DUFOUR MASONRY & RESTORATION INC		353 WEST 56TH STREET #7M NEW YORK NY 10019	06/10/2014	06/10/2019
DOL	DOL	****5840	DYNA CONTRACTING INC		363 88TH STREET BROOKLYN NY 11209	11/18/2013	11/18/2018
DOL	DOL		E C WEBB		6409 LAND O LAKES BLVD LAND O LAKES FL 34638	11/10/2015	11/10/2020
DOL	DOL		EARL GALBREATH		640 ASHFORD AVENUE ARDSLEY NY 10502	08/27/2013	08/27/2018
DOL	DOL		EARL L WILSON	WILSON BROTHER DRYWALL CONTRACTORS	36 ABERSOLD STREET ROCHESTER NY 14621	08/31/2015	08/31/2020
DOL	DOL	****1496	EAST COAST DRYWALL INC		1238 PRESIDENT STREET BROOKLYN NY 11225	11/18/2013	11/18/2018
DOL	DOL	****8011	EOCA CLEANING CONTRACTORS INC		P O BOX 21-1022 BROOKLYN NY 11221	05/16/2012	05/16/2017
DOL	DOL		EDWARD L GAUTHIER		C/O IMPERIAL MASONRY REST 141 ARGONNE DRIVEKENMORE NY 14217	10/03/2012	10/03/2017
DOL	NYC		EDWARD MENKEN		C/O AQUA JET PAINTING 10 VIKING DRIVEWEST ISLIP NY 11795	04/16/2014	04/16/2019
DOL	NYC	****0900	EF PRO CONTRACTING INC		147 BROOME AVENUE ATLANTIC BEACH NY 11509	03/03/2014	03/03/2019



**NYS DOL Bureau of Public Work Debarment List 01/04/2017**

**Article 8**

DOL	NYC		EFSTRATIOS BERNARDIS		23-73 48TH STREET LONG ISLAND CITY NY 11103	04/24/2014	04/24/2019
DOL	DOL		ELIZABETH RAMADANI		C/O RAMADA CONSTRUCTION 80 SAVO LOOPSTATEN ISLAND NY 10309	01/07/2014	01/07/2019
DOL	DOL		ELLEN DESANTIS	DESANTIS ENTERPRISES	161 OSWEGO RIVER ROAD PHOENIX NY 13135	09/24/2013	11/18/2018
DOL	DOL	****0780	EMES HEATING & PLUMBING CONTR		5 EMES LANE MONSEY NY 10952	01/20/2002	01/20/3002
DOL	AG		EMILIO FRANZA		90 JUNIUS STREET BROOKLYN NY 11212	01/23/2014	01/23/2019
DOL	DOL		EMPIRE CONCRETE SERVICES LLC		101 SULLYS TRAIL/SUITE 20 PITTSFORD NY 14534	11/18/2013	01/07/2019
DOL	DOL	****0511	EMPIRE CONCRETE SYSTEMS LLC		101 SULLYS TRAIL/ SUITE 2 PITTSFORD NY 14534	11/18/2013	01/07/2019
DOL	DOL	****2353	EMPIRE CONSTRUCTORS LLC		101 SULLYS TRAIL/SUITE 20 PITTSFORD NY 14534	11/18/2013	01/07/2019
DOL	DOL		EMPIRE PRECAST LLC		101 SULLYS TRAIL/SUITE 20 PITTSFORD NY 14534	11/18/2013	01/07/2019
DOL	DOL	****3270	EMPIRE TILE INC		6 TREMONT COURT HUNTINGTON STATION NY 11746	03/08/2016	03/08/2021
DOL	DOL		ERIKA BARNETT		253 BEACH BREEZE LANE UNIT BARVERNE NY 11692	02/05/2013	02/05/2018
DOL	DOL		ESTEVEES & FRAGA CONSTRUCTION CO INC		986 MADISON AVENUE PATERSON NJ 07501	01/03/2013	01/03/2018
DOL	DOL		ESTEVEES & FRAGA INC		986 MADISON AVENUE PATERSON NJ 07501	01/03/2013	01/03/2018
DOL	DOL		EVELIO ELLEDIAS		114 PEARL STREET PORT CHESTER NY 10573	08/15/2012	08/15/2017
DOL	NYC		EVERTON CARLESS		134 EVERGREEN PL/STE 101 EAST ORANGE NJ 07018	12/30/2013	12/30/2018
DOL	DOL	****7403	F & B PAINTING CONTRACTING INC		2 PARKVIEW AVENUE HARRISON NY 10604	09/26/2016	09/26/2021
DOL	DOL		F KALAFATIS		2279 HOLLERS AVENUE BRONX NY 10475	01/07/2014	06/23/2019
DOL	DOL		FANTASTIC PAINTING		493 LANSING ROAD FULTONVILLE NY 12072	11/18/2013	11/18/2018
DOL	DOL		FAY MATTHEW		C/O CHAMPION CONSTRUCTION 2131 SCHENECTADY AVENUEBROOKLYN NY 11234	11/18/2015	11/18/2020
DOL	DOL		FAZIA GINA ALI-MOHAMMED	C/O CHAMPION CONSTRUCTI ON	2131 SCHENECTADY AVENUE BROOKLYN NY 11234	11/18/2015	11/18/2020
DOL	DOL	****1311	FLOZ-ON PAINTING & DECORATING INC		12 DUNDERBERG ROAD TOMKINS NY 10986	10/16/2013	10/16/2018
DOL	DOL	****8961	FLOZ-ON PAINTING INC		12 DUNDERBERG ROAD TOMKINS NY 10986	10/16/2013	10/16/2018
DOL	DOL		FMS		4 LEGHORN COURT NEW YORK NY 11746	11/28/2012	11/28/2017
DOL	DOL	****8067	FORTH SPORT FLOORS INC		P O BOX 74 EAST GREENBUSH NY 12061	02/28/2012	10/01/2017
DOL	DOL		FRAN MICELI		2279 HOLLERS AVENUE BRONX NY 10475	01/07/2014	06/23/2019
DOL	DOL		FRANCES KALAFATIS		2279 HOLLERS AVENUE BRONX NY 10475	01/07/2014	06/23/2019
DOL	DOL		FRANCES KALAFATIS-MICELI		2279 HOLLERS AVENUE BRONX NY 10475	01/07/2014	06/23/2019
DOL	DOL		FRANK BENEDETTO		C/O F & B PAINTING CONTRA 2 PARKVIEW AVENUEHARRISON NY 10604	09/26/2016	09/26/2021
DOL	DOL		FRANK J MERCANDO		134 MURRAY AVENUE YONKERS NY 10704	12/11/2009	02/03/2019
DOL	DOL		FRANK MICELI JR	C/O FRANK MICELI JR CONTRACTIN G INC	19 CLIFF STREET NEW ROCHELLE NY 10801	10/16/2013	10/16/2018
DOL	DOL	****1321	FRANK MICELI JR CONTRACTING INC		19 CLIFF STREET NEW ROCHELLE NY 10801	10/16/2013	10/16/2018
DOL	DOL		FRED ABDO	ABDO TILE COMPANY AKA ABDO TILE CO	6179 EAST MOLLOY ROAD EAST SYRACUSE NY 13057	06/25/2010	07/02/2017
DOL	DOL	****2724	FRESH START PAINTING CORP		157 TIBBETS ROAD YONKERS NY 10705	03/12/2014	03/12/2019

**NYS DOL Bureau of Public Work Debarment List 01/04/2017**

**Article 8**

DOL	DOL		G FUCCI CONSTRUCTION SERVICES		3 ALAN B SHEPARD PLACE YONKERS NY 10705	03/12/2014	03/12/2019
DOL	DOL	****6767	G FUCCI PAINTING INC		C/O SPIEGEL & UTRERA 1 MAIDEN LANE - 5TH FL NEW YORK NY 10038	03/12/2014	03/12/2019
DOL	DOL	****4546	GAF PAINTING LLC		157 TIBBETS ROAD YONKERS NY 10705	03/12/2014	03/12/2019
DOL	DOL		GALINDA ROTENBERG		C/O GMDV TRANS INC 67-48 182ND STREET FRESH MEADOWS NY 11365	06/24/2016	06/24/2021
DOL	DOL		GARDEN STATE PAINTING		157 TIBBETS ROAD YONKERS NY 10705	03/12/2014	03/12/2019
DOL	DOL		GARY MCDOWELL	GM CONSTRUCTI ON & LAWN CARE SERVICE	76 PLEASANT STREET WELLSVILLE NY 14895	06/11/2013	06/11/2018
DOL	DOL		GEORGE DI BERNARDO		C/O DI BERNARDO TILE 15 WALKER WAY ALBANY NY 12205	03/21/2014	03/21/2019
DOL	DA		GEORGE LUCEY		150 KINGS STREET BROOKLYN NY 11231	01/19/1998	01/19/2998
DOL	DOL	****1075	GLOBAL TANK CONSTRUCTION LLC		P O BOX 1238 SALINA OK 74365	11/28/2012	11/28/2017
DOL	DOL	****0878	GM CONSTRUCTION & LAWN CARE SERVICE		76 PLEASANT STREET WELLSVILLE NY 14895	06/11/2013	06/11/2018
DOL	DOL	****5674	GMDV TRANS INC		67-48 182ND STREET FRESH MEADOWS NY 11365	06/24/2016	06/24/2021
DOL	DOL	****0090	GOLDS FLOORING INSTALLATIONS INC		25 HAMILTON ROAD MONTICELLO NY 12701	10/16/2013	10/16/2018
DOL	DOL		GREGORY A FUCCI		C/O PAF PAINTING SERVICES 157 TIBBETS ROAD YONKERS NY 10705	03/12/2014	03/12/2019
DOL	DOL		GREGORY FUCCI JR		C/O APOLLO CONSTRUCTION 157 TIBBETS ROAD YONKERS NY 10705	03/12/2014	03/12/2019
DOL	DOL	****9456	GUILLO CONTRACTING CORP		P O BOX 229 CALVERTON NY 11933	07/08/2013	07/08/2018
DOL	DOL		GUS PAPA STEFANO		C/O D & G PAINTING & DECO 53 LITTLE COLLABAR ROAD MONTGOMERY NY 12549	04/19/2012	04/19/2017
DOL	NYC	****0346	H N H CONTRACTORS CORP		4558 BROADWAY # 6 NEW YORK NY 10040	08/04/2014	08/04/2019
DOL	DOL		HALSSAM FOSTOK		5 HANSEN PLACE WAYNE NJ 07470	09/18/2013	09/18/2018
DOL	NYC		HAMEEDUL HASAN		240 HOME STREET TEANECK NJ 07666	08/04/2014	08/04/2019
DOL	AG	****9918	HARA ELECTRIC CORP		2461 47TH STREET ASTORIA NY 11103	09/26/2013	09/26/2018
DOL	NYC		HARMEEL SINGH		15 CLINTON LANE HICKSVILLE NY 11801	02/25/2016	02/25/2021
DOL	NYC		HAROLD KUEMMEL		58-83 54TH STREET MASPETH NY 11378	02/26/2016	02/26/2021
DOL	AG		HARVINDER SINGH PAUL		90 JUNIUS STREET BROOKLYN NY 11212	01/23/2014	01/23/2019
DOL	DOL		HENRY VAN DALRYMPLE		2663 LANTERN LANE ATLANTA GA 30349	12/01/2015	12/01/2020
DOL	DOL		HI-TECH CONTRACTING CORP		114 PEARL STREET PORT CHESTER NY 10573	08/15/2012	08/15/2017
DOL	DOL	****6370	HILLIANO CONSTRUCTION & ELECTRICAL INC		354 MAGNOLIA STREET ROCHESTER NY 14611	01/22/2015	01/22/2020
DOL	DOL	****8282	IDEMA DEVELOPMENT INC		91 COLLEGE AVENUE POUGHKEEPSIE NY 12603	12/04/2015	12/04/2020
DOL	DOL	****8282	IDEMA GENERAL CONTRACTORS INC		91 COLLEGE AVENUE POUGHKEEPSIE NY 12603	12/04/2015	12/04/2020
DOL	DOL	****8426	IMPERIAL MASONRY RESTORATION INC		141 ARGONNE DRIVE KENMORE NY 14217	10/03/2012	10/03/2017
DOL	DOL	****7001	INTEGRATED CONSTRUCTION & POWER SYSTEMS INC		SUITE 100 2105 W GENESEE STREETS YRACUSE NY 13219	01/06/2016	01/06/2021
DOL	DOL		ISABEL FRAGA		C/O THREE FRIENDS CONSTR 986 MADISON AVENUE PATERSON NJ 07501	01/03/2013	01/03/2018
DOL	AG	****0000	J A M CONSTRUCTION CORP		SUITE 125 265 SUNRISE HIGHWAY ROCKVILLE CENTRE NY 10457	04/07/2016	04/07/2021

**NYS DOL Bureau of Public Work Debarment List 01/04/2017**

**Article 8**

DOL	DOL	****7598	J M RICH LLC		P O BOX 268 STILLWATER NY 12170	09/16/2013	03/21/2019
DOL	DOL	****3478	J N P CONSTRUCTION CORP		50 LOUIS COURT P O BOX 1907 SOUTH HACKENSACK NY 07606	03/21/2014	03/21/2019
DOL	DOL		J N RICH LLC		P O BOX 268 STILLWATER NY 12170	09/16/2013	03/21/2019
DOL	DOL	****9368	J TECH CONSTRUCTION		PO BOX 64782 ROCHESTER NY 14624	09/24/2012	09/24/2017
DOL	DOL		J THE HANDYMAN			09/24/2012	09/24/2017
DOL	DOL	****4910	J V MAGIC TOUCH CORPORATION		94-25 57TH AVENUE, APT 5G ELMHURST NY 11373	01/12/2015	01/12/2020
DOL	DOL		JACQUELINE HOWE		C/O FLOZ-ON PAINTING INC 12 DUNDERBERG ROADTOMKINS NY 10986	10/16/2013	10/16/2018
DOL	DOL	****8627	JAG I LLC		635 LUZERNE ROAD QUEENSBURY NY 12804	09/16/2013	09/16/2018
DOL	DOL	****2868	JAG INDUSTRIES INC		175 BROAD ST - SUITE 320 GLENS FALLS NY 12801	09/16/2013	09/16/2018
DOL	DOL		JAMES B RHYNDERS		91 COLLEGE AVENUE POUGHKEEPSIE NY 12603	12/04/2015	12/04/2020
DOL	DOL		JAMES BOYCE		C/O EMPIRE CONCRETE SYST 101 SULLYS TRAIL/SUITE 20PITTSFORD NY 14534	11/18/2013	01/07/2019
DOL	DOL		JAMES E RHYNDERS		91 COLLEGE AVENUE POUGHKEEPSIE NY 12603	12/04/2015	12/04/2020
DOL	AG		JAMES FALCONE		SUITE 125 265 SUNRISE HIGHWAY ROCKVILLE CENTRE NY 10457	04/07/2016	04/07/2021
DOL	DOL		JAMES RHYNDERS SR		91 COLLEGE AVENUE POUGHKEEPSIE NY 12603	12/04/2015	12/04/2020
DOL	DOL		JAMES SICKAU		3090 SHIRLEY ROAD NORTH COLLINS NY 14111	04/19/2011	07/08/2020
DOL	DOL		JASON M RICH		P O BOX 268 STILLWATER NY 12170	09/16/2013	03/21/2019
DOL	DOL		JASON W MILLIMAN		C/O ROCHESTER ACOUSTICAL P O BOX 799 HILTON NY 14468	02/19/2016	02/19/2021
DOL	DOL		JAY PRESUTTI		C/O CONSOLIDATED INDUSTRI 2051 ROUTE 44/55 MODENA NY 12548	01/28/2013	01/28/2018
DOL	DOL		JEFF P BRADLEY		520 PINE HILL ROAD CHESTER NY 10940	06/23/2014	06/23/2019
DOL	NYC		JEFFREY CASSIDY		14 RAILROAD AVENUE VALHALLA NY 10595	05/15/2014	04/02/2020
DOL	DOL		JERALD HOWE		C/O FLOZ-ON PAINTING INC 12 DUNDERBERG ROADTOMKINS NY 10986	10/16/2013	10/16/2018
DOL	DOL		JEROME LACITIGNOLA		C/O CATSKILL FENCE INSTAL 5445 ROUTE 32 CATSKILL NY 12414	08/22/2014	08/22/2019
DOL	NYC		JERRY DEWATERS		30 COLUMBUS CIRCLE EASTCHESTER NY 10709	08/21/2012	08/21/2017
DOL	DOL		JESSICA WHITESIDE		C/O BRRESTORATION NY INC 140 ARCADIA AVENUE OSWEGO NY 13126	09/12/2016	09/12/2021
DOL	DOL		JOHN CATONE		C/O CATONE CONSTRUCTION 294 ALPINE ROAD ROCHESTER NY 14612	03/09/2012	03/09/2017
DOL	DOL		JOHN DESCUL		437 SUNRISE HIGHWAY A WEST BABYLON NY 11704	08/12/2013	08/12/2018
DOL	DOL		JOHN H LEE	JOHN LEE QUALITY PAVING	67 WILER ROAD HILTON NY 14468	01/28/2013	01/28/2018
DOL	DOL	****1749	JOHN LEE QUALITY PAVING		67 WILER ROAD HILTON NY 14468	01/28/2013	01/28/2018
DOL	DOL		JON E DEYOUNG		261 MILL ROAD P O BOX 296 EAST AURORA NY 14052	07/29/2015	07/29/2020
DOL	DOL	****9368	JORGE I DELEON	J TECH CONSTRUCTI ON	PO BOX 64782 ROCHESTER NY 14624	09/24/2012	09/24/2017
DOL	DOL		JORGE VILLALOBOS		94-25 57TH AVENUE - APT 5 ELMHURST NY 11373	01/12/2015	01/12/2020
DOL	DOL		JOSE MONTAS		27 BUTLER PLACE YONKERS NY 10710	03/18/2011	03/19/2020

**NYS DOL Bureau of Public Work Debarment List 01/04/2017**

**Article 8**

DOL	AG		JOSEPH FALCONE		SUITE 125 265 SUNRISE HIGHWAY ROCKVILLE CENTRE NY 10457	04/07/2016	04/07/2021
DOL	DOL		JOSEPH MARTONE		112 OSCAWANA HEIGHTS ROAD PUTNAM VALLEY NY 10542	08/27/2013	08/27/2018
DOL	DOL		JOSHUA DEBOWSKY		9547 BUSTLETON AVENUE PHILADELPHIA PA 19115	02/05/2014	02/05/2019
DOL	DOL		JOYA MUSCOLINO		10 ST CHARLES STREET THORNWOOD NY 10594	09/03/2013	09/03/2018
DOL	DOL		JUANA MARTINEZ		C/O LEAD CONSTRUCTION 27 BUTLER PLACE YONKERS NY 10710	03/19/2015	03/19/2020
DOL	DOL	****4340	JUBCO SITE DEVELOPMENT LLC		462 LAKEVIEW AVENUE VALHALLA NY 10595	12/16/2013	12/16/2018
DOL	DOL		JULIUS AND GITA BEHREND		5 EMES LANE MONSEY NY 10952	11/20/2002	11/20/3002
DOL	DOL		KAREN HARTMAN		C/O GUILLO CONTRACTING P O BOX 229 CALVERTON NY 11933	07/08/2013	07/08/2018
DOL	NYC		KATHLEEN SELA	C/O COLONIAL ROOFING COMPANY INC	247 48TH STREET BROOKLYN NY 11220	02/05/2014	02/05/2019
DOL	DOL		KEITH SCHEPIS		C/O KJS HAULING AND HOME 95 MAPLE AVENUE NEW CITY NY 10956	04/15/2013	04/15/2018
DOL	DOL		KEN DEAVER		731 WARWICK TURNPIKE HEWITT NJ 07421	06/25/2012	12/11/2017
DOL	DOL	****9732	KENT HOLLOW SIDING LLC		29A BRIDGE STREET NEW MILFORD CT 06776	01/15/2016	01/15/2021
DOL	DOL		KEVIN BABCOCK JR		P O BOX 46 THOMPSON RIDGE NY 10985	08/22/2014	08/22/2019
DOL	DOL		KEVIN M BABCOCK		P O BOX 46 THOMPSON RIDGE NY 10985	08/22/2014	08/22/2019
DOL	DOL		KIM SOROCENSKI		C/O SOLUTION MATTERS INC 198 NORWOOD ROADPORT JEFFERSON NY 11776	11/19/2015	11/19/2020
DOL	DOL	****2463	KJS HAULING AND HOME IMPROVEMENT INC		95 MAPLE AVENUE NEW CITY NY 10956	04/15/2013	04/15/2018
DOL	AG		KOSTAS "GUS" ANDRIKOPOULOS		2461 47TH STREET ASTORIA NY 11103	09/26/2013	09/26/2018
DOL	DOL		KRZYSZTOF PRZYBYL		2 TINA LANE HOPEWELL JUNCTION NY 12533	01/06/2012	01/06/2017
DOL	DOL	****6033	KUSNIR CONSTRUCTION		2677 ANAWALK ROAD KATONAH NY 10536	08/03/2012	08/03/2017
DOL	DA	****8816	LAKE CONSTRUCTION AND DEVELOPMENT CORPORATION		150 KINGS STREET BROOKLYN NY 11231	08/19/1998	08/19/2998
DOL	DOL	****6224	LAKESIDE FIRE SPRINKLERS LLC		125 CHAUTAUQUA AVENUE LAKEWOOD NY 14750	06/24/2015	06/24/2020
DOL	DOL		LARRY DOMINGUEZ		114 PEARL STREET PORT CHESTER NY 10573	08/15/2012	08/15/2017
DOL	DOL		LAURA A. GAUTHIER		C/O IMPERIAL MASONRY REST 141 ARGONNE DRIVE KENMORE NY 14217	10/03/2012	10/03/2017
DOL	DOL		LAURI MARTONE		112 OSCAWANA HEIGHTS ROAD PUTNAM VALLEY NY 10542	08/27/2013	08/27/2018
DOL	DOL		LAVERN GLAVE		C/O RAW POWER ELECTRIC 3 PARK CIRCLE MIDDLETOWN NY 10940	09/15/2014	09/15/2019
DOL	DOL		LAWRENCE J RUGGLES		P O BOX 371 ROUND LAKE NY 12151	05/12/2014	05/12/2019
DOL	DOL	****1364	LEAD CONSTRUCTION SERVICES INC		3 ALAN B SHEPARD PLACE YONKERS NY 10705	03/19/2015	03/19/2020
DOL	DOL	****0597	LEED INDUSTRIES CORP	HI-TECH CONTRACTIN G CORP	114 PEART STREET PORT CHESTER NY 10573	08/15/2012	08/15/2017
DOL	DOL	****4388	LEN J CONSTRUCTION LLC		P O BOX 10007 ALBANY NY 12201	06/24/2016	06/24/2021
DOL	AG		LEONID FRIDMAN		APT 5 200 BRIGHTON, 15TH ST BROOKLYN NY 11235	01/23/2014	01/23/2019
DOL	DOL		LEROY NELSON JR		C/O LEN J CONSTRUCTION LL P O BOX 10007 ALBANY NY 12201	06/24/2016	06/24/2021

**NYS DOL Bureau of Public Work Debarment List 01/04/2017**

**Article 8**

DOL	DOL		LINDSEY R CRILL		143 FILLMORE AVENUE BUFFALO NY 14210	01/08/2015	01/08/2020
DOL	DOL	****8453	LINPHILL ELECTRICAL CONTRACTORS INC		523 SOUTH 10TH AVENUE MOUNT VERNON NY 10553	01/07/2011	04/15/2018
DOL	DOL		LINVAL BROWN		523 SOUTH 10TH AVENUE MOUNT VERNON NY 10553	01/07/2011	04/15/2018
DOL	NYC	****2850	M A 2 FLAGS CONTRACTING CORP		25-18 100TH STREET EAST ELMHURST NY 11369	08/21/2013	08/21/2018
DOL	AG	****6957	M B DIN CONSTRUCTION INC		8831 20TH AVENUE/SUITE 6E BROOKLYN NY 11214	11/17/2015	11/17/2020
DOL	NYC	****6317	M S QUALITY CONSTRUCTION LLC		27 MAPLEWOOD AVENUE COLONIA NJ 07067	02/04/2015	02/04/2020
DOL	NYC		MACIEJ SONTOWSKI		27 MAPLEWOOD AVENUE COLONIA NJ 07067	02/04/2015	02/04/2020
DOL	NYC	****9590	MACK GLASSNAUTH IRON WORKS INC		137 LIBERTY AVENUE BROOKLYN NY 11212	12/21/2015	12/21/2020
DOL	NYC	****3141	MACKIEY REED ELECTRIC INC		1ST FLOOR STORE FRONT 88-10 LITTLE NECK PARKWAYFLORAL PARK NY 11001	06/24/2014	06/24/2019
DOL	DOL	****1784	MADISON AVE CONSTRUCTION CORP		39 PENNY STREET WEST ISLIP NY 11795	11/02/2016	11/02/2021
DOL	DOL		MALARKEY'S BAR & GRILL LLC		64 VICTORIA DRIVE BINGHAMTON NY 13904	02/04/2016	02/04/2021
DOL	DOL	****0705	MALARKEY'S PUB & GRUB LLC		64 VICTORIA DRIVE BINGHAMTON NY 13904	02/04/2016	02/04/2021
DOL	DA		MANUEL P TOBIO		150 KINGS STREET BROOKLYN NY 14444	08/19/1998	08/19/2998
DOL	DA		MANUEL TOBIO		150 KINGS STREET BROOKLYN NY 11231	08/19/1998	08/19/2998
DOL	DOL		MAR CONTRACTING CORP		620 COMMERCE STREET THORNWOOD NY 10594	09/24/2012	09/24/2017
DOL	DOL		MARGARET FORTH		P O BOX 74 EAST GREENBUSH NY 12061	02/28/2012	10/01/2017
DOL	DOL		MARIA ESTEVES AKA MARIA MARTINS		C/O THREE FRIENDS CONSTR 986 MADISON AVENUEPATERSON NJ 07501	01/03/2013	01/03/2018
DOL	DOL		MARIA MARTINS AKA MARIA ESTEVES		C/O THREE FRIENDS CONSTR 986 MADISON AVENUEPATERSON NJ 07501	01/03/2013	01/03/2018
DOL	DOL		MARIACHI'S PIZZERIA		C/O DOUGLAS L MALARKEY 64 VICTORIA DRIVEBINGHAMTON NY 13904	02/04/2016	02/04/2021
DOL	DOL		MARIO LUIS		31 DURANT AVENUE BETHEL CT 06801	07/02/2012	07/02/2017
DOL	DOL		MARK MIONIS		6409 LAND O LAKES BLVD LAND O LAKES FL 34638	11/10/2015	11/10/2020
DOL	DOL	****5533	MARQUISE CONSTRUCTION & DEVELOPMENT CORP		10 ST CHARLES STREET THORNWOOD NY 10594	09/03/2013	09/03/2018
DOL	DOL	****8810	MARQUISE CONSTRUCTION ASSOCIATES INC		20 BOSWELL ROAD PUTNAM VALLEY NY 10579	09/03/2013	09/03/2018
DOL	DOL	****1134	MARQUISE CONSTRUCTION CORP		10 ST CHARLES STREET THORNWOOD NY 10594	09/03/2013	09/03/2018
DOL	NYC	****4314	MASCON RESTORATION INC		129-06 18TH AVENUE COLLEGE POINT NY 11356	02/09/2012	02/09/2017
DOL	NYC	****4314	MASCON RESTORATION LLC		129-06 18TH AVENUE COLLEGE POINT NY 11356	02/09/2012	02/09/2017
DOL	DOL	****0845	MASONRY CONSTRUCTION INC		442 ARMONK ROAD MOUNT KISCO NY 10549	12/04/2009	05/04/2017
DOL	DOL	****3333	MASONRY INDUSTRIES INC		442 ARMONK ROAD MOUNT KISCO NY 10549	12/04/2009	05/04/2017
DOL	DOL		MATTHEW IDEMA GENERAL CONTRACTORS INC		91 COLLEGE AVENUE POUGHKEEPSIE NY 12603	12/04/2015	12/04/2020
DOL	DOL	****6416	MCCALL MASONRY		P O BOX 304 SAYRE PA 18840	08/09/2016	08/09/2021
DOL	DOL	****9028	MCINTOSH INTERIORS LLC		8531 AVENUE B BROOKLYN NY 11236	02/05/2013	02/05/2018
DOL	DOL	****4259	MERCANDO CONTRACTING CO INC		134 MURRAY AVENUE YONKERS NY 10704	12/11/2009	02/03/2019
DOL	DOL	****0327	MERCANDO INDUSTRIES LLC		134 MURRAY AVENUE YONKERS NY 10704	12/11/2009	02/03/2019
DOL	NYC	****5330	METRO DUCT SYSTEMS INC		1219 ASTORIA BOULEVARD LONG ISLAND CITY NY 11102	04/16/2014	11/19/2020
DOL	DOL	****3368	MICEK CONSTRUCTION CO INC		20 CROSS STREET FALCONER NY 14733	12/02/2014	12/02/2019

**NYSDOL Bureau of Public Work Debarment List 01/04/2017**

**Article 8**

DOL	DOL		MICHAEL A PASCARELLA		SUITE 100 2105 WEST GENESEE STREET SYRACUSE NY 13219	01/06/2016	01/06/2021
DOL	DOL	****9198	MICHAEL CZECHOWICZ	OCTAGON CO	37-11 35TH AVENUE-2ND FL LONG ISLAND CITY NY 11101	01/08/2013	01/08/2018
DOL	DOL		MICHAEL F LEARY JR		3813 SNOWDEN HILL ROADNEW HARTFORD NY 13413	06/19/2013	06/19/2018
DOL	DOL		MICHAEL F LEARY JR METAL STUD & DRYWALL		3813 SNOWDEN HILL ROAD NEW HARTFORD NY 13413	06/19/2013	06/19/2018
DOL	NYC		MICHAEL HIRSCH		C/O MZM CORP 163 S MAIN STREETNEW CITY NY 10956	01/28/2016	01/28/2021
DOL	DOL		MICHAEL KTIISTAKIS		363 88TH STREET BROOKLYN NY 11209	11/18/2013	11/18/2018
DOL	DOL	****6033	MICHAEL KUSNIR	KUSNIR CONSTRUCTI ON	2677 ANAWALK ROAD KATONAH NY 10536	08/03/2012	08/03/2017
DOL	DOL		MICHAEL MARGOLIN		4 LEGHORN COURT NEW YORK NY 11746	11/28/2012	11/28/2017
DOL	DOL		MICHAEL WILSON	WILSON BROTHER DRYWALL CONTRACTOR S	36 ABERSOLD STREET ROCHESTER NY 14621	08/31/2015	08/31/2020
DOL	DOL		MICHELLE L BARBER		635 LUZERNE ROAD QUEENSBURY NY 12804	09/16/2013	09/16/2018
DOL	NYC		MIGUEL ACOSTA		25-18 100TH STREET EAST ELMHURST NY 11369	08/21/2013	08/21/2018
DOL	NYC		MILANCE HADZIC		22 CALIFORNIA AVE - STE 1 PATERSON NJ 07503	03/11/2015	03/11/2020
DOL	AG		MOHAMMAD RIAZ		46 RUGBY ROAD WESTBURY NY 11590	11/20/2013	11/20/2018
DOL	AG		MOHAMMED N CHATHA		8831 20TH AVENUE/SUITE 6E BROOKLYN NY 11214	11/17/2015	11/17/2020
DOL	DOL	****2737	MOUNTAIN'S AIR INC		2471 OCEAN AVENUE- STE 7A BROOKLYN NY 11229	09/24/2012	09/18/2020
DOL	DOL		MUHAMMAD PERVAIZ		C/O CHAMPION CONSTRUCTION 2131 SCHENECTADY AVENUEBROOKLYN NY 11234	11/18/2015	11/18/2020
DOL	NYC		MUHAMMAD ZULFIQAR		129-06 18TH AVENUE COLLEGE POINT NY 11356	02/09/2012	02/09/2017
DOL	DOL		MURRAY FORTH		P O BOX 74 EAST GREENBUSH NY 12061	02/28/2012	10/01/2017
DOL	DOL		MUZAFFAR HUSSAIN		C/O ABSOLUTE GENERAL CONT 1129 AVENUE UBROOKLYN NY 11229	01/28/2013	01/28/2018
DOL	NYC	****3613	MZM CORP		163 S MAIN STREET NEW CITY NY 10956	01/28/2016	01/28/2021
DOL	NYC	****1284	NEW AMERICAN RESTORATION INC		22 CALIFORNIA AVE - STE 1 PATERSON NJ 07503	03/11/2015	03/11/2020
DOL	DA	****6988	NEW YORK INSULATION INC		58-48 59TH STREET MASPETH NY 11378	05/16/2012	05/08/2020
DOL	NYC	****4839	NEW YORK RIGGING CORP		58-83 54TH STREET MASPETH NY 11378	02/26/2016	02/26/2021
DOL	DOL		NICHOLAS DEGREGORY JR	NJ DEGREGORY & COMPANY	1698 ROUTE 9 GLENNS FALLS NY 12801	05/23/2013	05/23/2018
DOL	NYC		NICHOLAS PROVENZANO		147 BROOME AVENUE ATLANTIC BEACH NY 11509	03/03/2014	03/03/2019
DOL	NYC		NICHOLAS PROVENZANO		147 BROOME AVENUE ATLANTIC BEACH NY 11509	03/03/2014	03/03/2019
DOL	DOL	****5279	NJ DEGREGORY & COMPANY		1698 ROUTE 9 GLENNS FALLS NY 12801	05/23/2013	05/23/2018
DOL	DOL		NJ DEGREGORY & SONS CONSTRUCTION		1698 ROUTE 9 GLENNS FALLS NY 12801	05/23/2013	05/23/2018
DOL	NYC	****1968	NORTH AMERICAN IRON WORKS INC		1560 DECATUR STREET RIDGEMOOD NY 11385	05/15/2015	05/15/2020
DOL	DOL	****6966	NORTH COUNTRY DRYWALL AND PAINT		23167 COUNTY ROUTE 59 DEXTER NY 13634	10/24/2016	10/24/2021
DOL	DOL	****9198	OCTAGON CO		37-11 35TH AVENUE-2ND FL LONG ISLAND CITY NY 11101	01/08/2013	01/08/2018
DOL	DOL		OKBY ELSAYED		1541 EAST 56TH STREET BROOKLYN NY 11234	05/04/2012	05/04/2017
DOL	NYC	****8337	OPTIMUM CONSTRUCTION INC		23-73 48TH STREET LONG ISLAND CITY NY 11103	04/24/2014	04/24/2019

**NYS DOL Bureau of Public Work Debarment List 01/04/2017**

**Article 8**

DOL	NYC		ORSON ARROYO		C/O METRO DUCT SYSTEMS 12-19 ASTORIA BOULEVARDLONG ISLAND CITY NY 11102	04/16/2014	11/19/2020
DOL	DOL	****4546	PAF PAINTING CORP		161 TIBBETTS ROAD YONKERS NY 10705	03/12/2014	03/12/2019
DOL	DOL	****5242	PAF PAINTING SERVICES INC	GARDEN STATE PAINTING	157 TIBBETTS ROAD YONKERS NY 10103	03/12/2014	03/12/2019
DOL	DOL		PAF PAINTING SERVICES OF WESTCHESTER INC		C/O SPIEGEL & UTRERA 1 MAIDEN LANE - 5TH FLNEW YORK NY 10038	03/12/2014	03/12/2019
DOL	DOL	****8802	PAT'S HEATING AND AIR CONDITIONING LTD		P O BOX 371 ROUND LAKE NY 12151	05/12/2014	05/12/2019
DOL	DOL		PATRICIA M RUGGLES		P O BOX 371 ROUND LAKE NY 12151	05/12/2014	05/12/2019
DOL	DOL		PAUL VERNA		C/O AMERICAN STEEL MECHA 693 PAINTER STREETMEDIA PA 19063	02/20/2013	02/20/2018
DOL	DOL	****9569	PERFORM CONCRETE INC		31 DURANT AVENUE BETHEL CT 06801	07/02/2012	07/02/2017
DOL	NYC		PETER LUSTIG		30 COLUMBUS CIRCLE EASTCHESTER NY 10709	08/21/2012	08/21/2017
DOL	NYC		PETER TRITARIS		5990 58TH AVENUE MASPETH NY 11378	11/18/2013	11/18/2018
DOL	DOL	****2989	PROFESSIONAL ESTIMATING & BUSINESS CORP		157 TIBBETTS ROAD YONKERS NY 10705	03/12/2014	03/12/2019
DOL	DOL	****6895	PROLINE CONCRETE OF WNY INC		3090 SHIRLEY ROAD NORTH COLLINS NY 14111	04/19/2011	07/08/2020
DOL	DA	****6817	QUADRANT METAL BUILDINGS LLC		2740 SW MARTIN DOWNS BLVD PALM CITY FL 34990	08/25/2016	08/25/2021
DOL	DOL	****0015	RAMADA CONSTRUCTION CORP		80 SAVO LOOP STATEN ISLAND NY 10309	01/07/2014	01/07/2019
DOL	NYC		RAMESHWAR ASU		137 LIBERTY AVENUE BROOKLYN NY 11212	12/21/2015	12/21/2020
DOL	DOL		RANA A KAHN		1973 81ST ST - SUITE A-5 BROOKLYN NY 11214	01/08/2015	01/08/2020
DOL	NYC		RANTIK PARIKH		13 LORIANN ROAD WARREN NJ 07059	07/15/2015	07/15/2020
DOL	DOL	****2633	RAW POWER ELECTRIC CORP		3 PARK PLACE MIDDLETOWN NY 10940	09/16/2013	09/15/2019
DOL	NYC		RAYMOND PEARSON		P O BOX 957 PORT JEFFERSON STA NY 11776	03/12/2014	03/12/2019
DOL	DOL		REBECCA THORNE		113 N MAPLE AVENUE GREENSBURG PA 15601	02/21/2013	02/21/2018
DOL	DOL		REGINALD WARREN		C/O RAW POWER ELECTRIC 3 PARK CIRCLEMIDDLETOWN NY 10940	09/15/2014	09/15/2019
DOL	NYC	****3461	RELIANCE GENERAL CONSTRUCTION INC		644 OCEAN PARKWAY BROOKLYN NY 11230	09/02/2015	09/02/2020
DOL	DOL		REVOLUTIONARY FLOORS LLC		P O BOX 268 STILLWATER NY 12170	09/16/2013	03/21/2019
DOL	DOL		RHINO CONCRETE LLC		101 SULLYS TRAIL/SUITE 20 PITTSFORD NY 14534	11/18/2013	01/07/2019
DOL	DA		RIANN MULLER		2740 SW MARTIN DOWNS BLVD PALM CITY FL 34990	08/25/2016	08/25/2021
DOL	DOL		RICHARD WILSON		C/O DUFOUR GROUP INC 353 WEST 56TH STREET #7MNEW YORK NY 10019	06/10/2014	06/10/2019
DOL	DOL	****8618	RIEKS CONTRACTING LLC		4804 GAHWILER ROAD AUBURN NY 13021	05/01/2015	05/01/2020
DOL	DOL		ROBBYE BISSE SAR		89-51 SPRINGFIELD BLVD QUEENS VILLAGE NY 11427	01/11/2003	01/11/3003
DOL	DOL	****1855	ROBERT D BISHOP JR	ROBERT D BISHOP JR	P O BOX 112 MORRISONVILLE NY 12962	07/15/2014	07/15/2019
DOL	DOL		ROBERT D BISHOP JR		P O BOX 112 MORRISONVILLE NY 12962	07/15/2014	07/15/2019
DOL	NYC		ROBERT GUIDO		3256 BRUNER AVENUE BRONX NY 10469	07/29/2014	07/29/2019
DOL	DOL		ROBERT L EVANS		128A NORTH STAMFORD ROAD STAMFORD CT 06903	05/23/2013	05/23/2018
DOL	DOL		ROBERT TORDELLA		125 CHAUTAUQUA AVENUE LAKEWOOD NY 14750	06/24/2015	06/24/2020

**NYS DOL Bureau of Public Work Debarment List 01/04/2017**

**Article 8**

DOL	DOL		ROCCO ESPOSITO		C/O ROCMAR CONTRACTING CO 620 COMMERCE STREET THORNWOOD NY 10594	09/24/2012	09/24/2017
DOL	DOL	****3859	ROCHESTER ACOUSTICAL CORP		P O BOX 799 HILTON NY 14468	02/19/2016	02/19/2021
DOL	DOL		ROCMAR CONSTRUCTION CORP		620 COMMERCE STREET THORNWOOD NY 10594	09/24/2012	09/24/2017
DOL	DOL	****7083	ROCMAR CONTRACTING CORP		620 COMMERCE STREET THORNWOOD NY 10594	09/24/2012	09/24/2017
DOL	NYC		RODNEY SCOTT		201 HEMPSTEAD AVENUE WEST HEMPSTEAD NY 11552	10/30/2015	10/30/2020
DOL	DOL		ROMEO WARREN		C/O RAW POWER ELECTR CORP 3 PARK PLACEMIDDLETOWN NY 10940	09/16/2013	09/15/2019
DOL	DOL		ROSEANNE CANTISANI		11 TATAMUCK ROAD POUND RIDGE NY 10576	05/04/2012	05/04/2017
DOL	DOL		ROSS J MUSCOLINO		10 ST CHARLES STREET THORNWOOD NY 10594	09/03/2013	09/03/2018
DOL	DOL		S & S ELECTRIC		235 BROADWAY SCHENECTADY NY 12306	06/19/2013	06/19/2018
DOL	NYC		SABIR MUHAMMED		SUITE B-8 782 PELHAM PARKWAY SOUTHBRONX NY 10462	04/21/2016	04/21/2021
DOL	NYC		SAEED HASAN		4558 BROADWAY #6 NEW YORK NY 10040	08/04/2014	08/04/2019
DOL	DOL	****4923	SCHENLEY CONSTRUCTION INC		731 WARWICK TURNPIKE HEWITT NJ 07421	06/25/2012	12/11/2017
DOL	NYC	****2117	SCOTT ELECTRICAL LLC		201 HEMPSTEAD AVENUE WEST HEMPSTEAD NY 11552	10/30/2015	10/30/2020
DOL	DOL		SCOTT LEONARD	GLOBAL TANK CONSTRUCTI ON LLC	P O BOX 1238 SALINA OK 74365	11/28/2012	11/28/2017
DOL	DOL		SEAKCO CONSTRUCTION COMPANY LLC		128A NORTH STAMFORD ROAD STAMFORD CT 06903	05/23/2013	05/23/2018
DOL	DOL	****9030	SEAKCO NEW YORK LLC	SEAKCO CONSTRUCTI ON COMPANY	128A NORTH STAMFORD ROAD STAMFORD CT 06903	05/23/2013	05/23/2018
DOL	DOL		SEAN BURBAGE	C/O SEAN BURBAGE CORP	445 ROOSA GAP ROAD BLOOMINGBURG NY 12721	04/14/2014	04/14/2019
DOL	DOL	****6586	SEAN BURBAGE CORP		445 ROOSA GAP ROAD BLOOMINGBURG NY 12721	04/14/2014	04/14/2019
DOL	NYC		SHAHZAD ALAM		21107 28TH AVE BAYSIDE NY 11360	07/02/2012	07/02/2017
DOL	DOL	****6904	SIGNING STAR LIMITED LIABILITY COMPANY		5 HANSEN PLACE WAYNE NJ 07470	09/18/2013	09/18/2018
DOL	DOL	****4025	SOLUTION MATTERS INC		198 NORWOOD ROAD PORT JEFFERSON NY 11776	11/19/2015	11/19/2020
DOL	DOL		SPASOJE DOBRIC		61 WILLET STREET - SUITE PASSAIC NJ 07055	07/09/2010	02/23/2017
DOL	NYC	****4934	SPHINX CONTRACTING CORP		240 HOME STREET TEANECK NJ 07666	08/04/2014	08/04/2019
DOL	DOL		SPORTSCRAFTERS INC		113 N MAPLE AVENUE GREENSBURG PA 15601	02/21/2013	02/21/2018
DOL	DOL	****3496	STAR INTERNATIONAL INC		89-51 SPRINGFIELD BLVD QUEENS VILLAGE NY 11427	08/11/2003	08/11/3003
DOL	DOL		STEPHEN BIANCHI		462 LAKEVIEW AVENUE VALHALLA NY 10595	12/16/2013	12/16/2018
DOL	DOL		STEPHEON SHELDON	FANTASTIC PAINTING	493 LANSING ROAD FULTONVILLE NY 12072	11/18/2013	11/18/2018
DOL	DOL		STEVEN P SUCATO		15-68 208TH STREET BAYSIDE NY 11360	06/23/2016	06/23/2021
DOL	DOL		STEVEN SAGGESE		3005 WYNSUM AVENUE MERRICK NY 11566	08/18/2014	08/18/2019
DOL	DOL		STUART CHAITIN		634 ROUTE 303 BLAUVET NY 10913	07/26/2012	11/19/2018
DOL	NYC	****9432	SUBLINK LTD		346 THIRD AVENUE PELHAM NY 10803	11/19/2015	11/19/2020
DOL	DOL	****3210	SUPER SWEEP	FMS	4 LEGHORN COURT NEW YORK NY 11746	11/28/2012	11/28/2017
DOL	DOL		SUZANNE G GOLD	C/O GOLDS FLOORING INSTALLATION S INC	25 HAMILTON ROAD MONTICELLO NY 12701	10/16/2013	10/16/2018



**NYS DOL Bureau of Public Work Debarment List 01/04/2017**

**Article 8**

DOL	DOL	****7441	T & T CONCRETE INC		2560 HAMBURG TURNPIKE P O BOX 367LACKAWANNA NY 14218	07/08/2015	07/08/2020
DOL	DOL	****9676	T D CONTRACTORS CORP	T D CONTRACTOR S INC	113 N MAPLE AVENUE GREENSBURG PA 15601	02/21/2013	02/21/2018
DOL	DOL		T D CONTRACTORS INC		113 N MAPLE AVENUE GREENSBURG PA 15601	02/21/2013	02/21/2018
DOL	DOL		TAMMY LACITIGNOLA		C/O CATSKILL FENCE INSTAL 5445 ROUTE 32CATSKILL NY 12414	08/22/2014	08/22/2019
DOL	DOL	****9852	TAP STEEL INC		ROUTE 26 3101 P O BOX 457CONSTABLEVILLE NY 13325	01/28/2016	01/28/2021
DOL	DOL		TECH-MECHANICAL FAB DC INC		5 PARKER AVENUE POUGHKEEPSIE NY 12601	03/25/2014	03/25/2019
DOL	DOL	****0887	THE BRINSON PAINTING CORPORATION		72 TAUNTON PLACE BUFFALO NY 14216	04/14/2015	04/14/2020
DOL	DOL	****8174	THE DALRYMPLE CORPORATION		UNIT 278 541 10TH STREET NWTALANTA GA 30318	12/01/2015	12/01/2020
DOL	DOL	****8174	THE DALRYMPLE GROUP LLC		289 JONESBORO RD/ STE 216 MCDONOUGH GA 30253	12/01/2015	12/01/2020
DOL	DOL		THE THORNE GROUP INC		113 N MAPLE AVENUE GREENSBURG PA 15601	02/21/2013	02/21/2018
DOL	DOL	****2070	THE UNIVERSAL GROUP OF NEW YORK INC		212 OXFORD WAY SCHENECTADY NY 12309	12/11/2012	09/16/2018
DOL	DOL	****9243	THE WELCOME MAT PROPERTY MANAGEMENT LLC		P O BOX 268 STILLWATER NY 12170	09/16/2013	03/21/2019
DOL	DOL		THOMAS DESANTIS	DESANTIS ENTERPRISES	161 OSWEGO RIVER ROAD PHOENIX NY 13135	09/24/2013	11/18/2018
DOL	NYC		THOMAS SCARINCI		130-43 92ND AVENUE RICHMOND HILLS NY 11418	11/27/2013	11/27/2018
DOL	DOL	****2734	THREE FRIENDS CONSTRUCTION CORP		986 MADISON AVENUE PATERSON NJ 07501	01/03/2013	01/03/2018
DOL	NYC	****6253	THUNDER BROTHERS CORP		24 CONGRESS LANE SOUTH RIVER NJ 08882	05/01/2013	05/01/2018
DOL	DOL		TIMOTHY A PALUCK		C/O TAP STEEL INC RTE 26 3101/ P O BOX 457CONSTABLEVILLE NY 13325	01/28/2016	01/28/2021
DOL	DOL		TIMOTHY F BARBER		635 LUZERNE ROAD QUEENSBURY NY 12804	09/16/2013	09/16/2018
DOL	NYC	****1523	TM MECHANICAL CORP		130-43 92ND AVENUE RICHMOND HILLS NY 11418	11/27/2013	11/27/2018
DOL	DOL	****0600	TOMSON ALLOYS RECYCLING INC		143 FILLMORE AVENUE BUFFALO NY 14210	01/08/2015	01/08/2020
DOL	DOL	****3453	TORCHIA'S HOME IMPROVEMENT		10153 ROBERTS RD SAUQUOIT NY 13456	08/09/2016	08/09/2021
DOL	DOL	****8176	TOURO CONTRACTING CORP		1541 EAST 56TH STREET BROOKLYN NY 11234	05/04/2012	05/04/2017
DOL	DOL	****6914	TRI-COUNTY RESTORATIONS & CONSTRUCTION INC		13 SUMMERSET DRIVE WALLKILL NY 12589	08/22/2014	08/22/2019
DOL	DOL		TRI-COUNTY RESTORATIONS INC		392 ROCK CUT ROAD WALDEN NY 12586	08/22/2014	08/22/2019
DOL	DOL		TROY D CLARKE	ADVANCED METALS	387 RIVERSIDE DRIVE JOHNSON CITY NY 13790	10/01/2012	10/01/2017
DOL	DOL	****9407	TURBO GROUP INC		15-68 208TH STREET BAYSIDE NY 11360	06/23/2016	06/23/2021
DOL	AG	****6490	UNIVERSAL STEEL FABRICATORS INC		90 JUNIUS STREET BROOKLYN NY 11212	01/23/2014	01/23/2019
DOL	NYC	****7174	V&R CONTRACTING		P O BOX 957 PORT JEFFERSON STA NY 11776	03/12/2014	03/12/2019
DOL	NYC		VALERIE VISCONTI		346 THIRD AVENUE PELHAM NY 10803	11/19/2015	11/19/2020
DOL	NYC		VEAP SELA	C/O COLONIAL ROOFING COMPANY INC	247 48TH STREET BROOKLYN NY 11220	02/05/2014	02/05/2019
DOL	DOL	****3270	VEZANDIO CONTRACTING CORP		530 BEECH STREET NEW HYDE PARK NY 11040	07/02/2012	07/02/2017
DOL	NYC		VICK CONSTRUCTION		21 DAREWOOD LANE VALLEY STREAM NY 11581	12/31/2013	12/31/2018
DOL	NYC		VICKRAM MANGRU	VICK CONSTRUCTI ON	21 DAREWOOD LANE VALLEY STREAM NY 11581	12/31/2013	12/31/2018

**NYS DOL Bureau of Public Work Debarment List 01/04/2017**

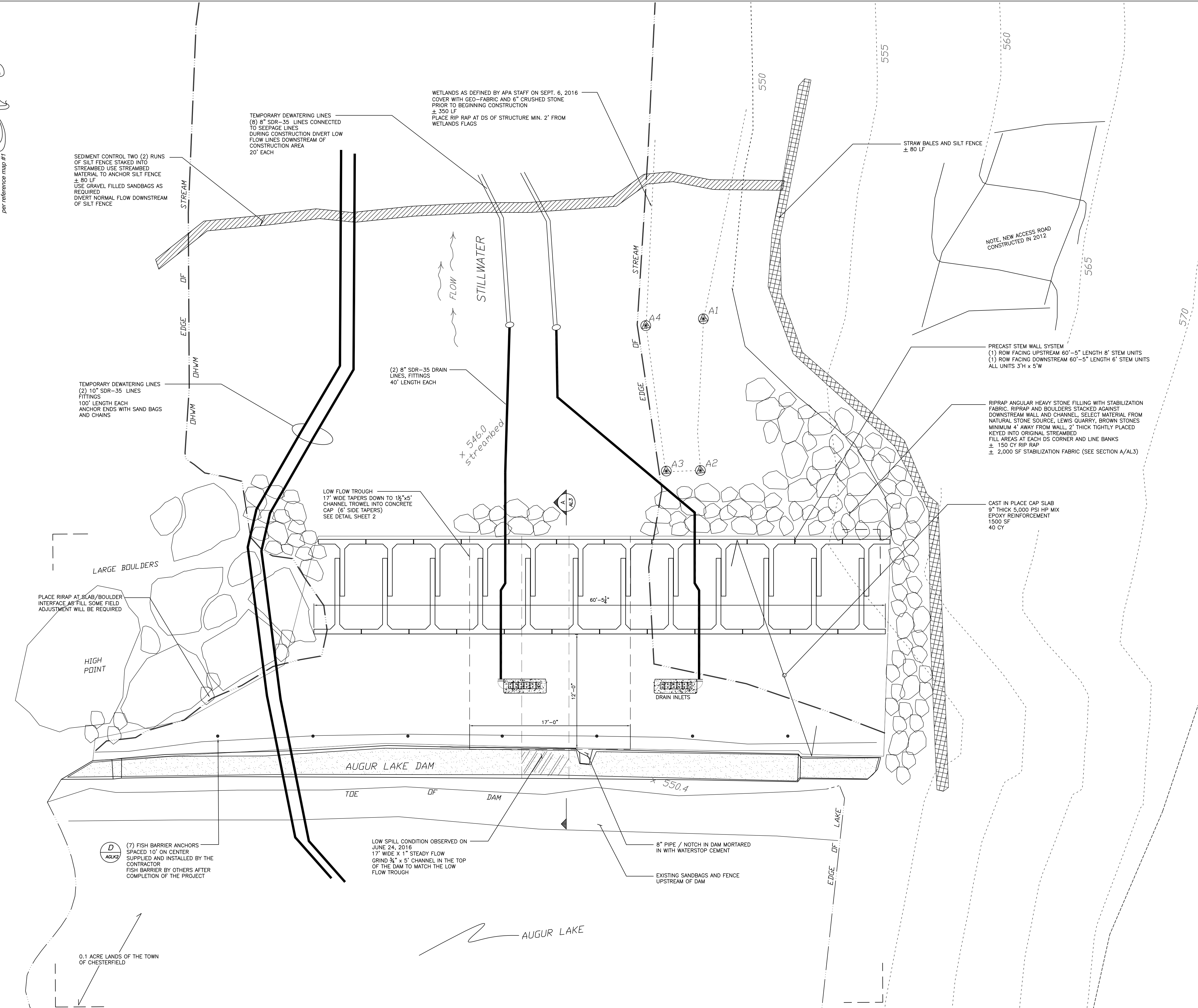
**Article 8**

DOL	DOL		VICTOR ROTENBERG		C/O GMDV TRANS INC 67048 182ND STREET FRESH MEADOWS NY 11365	06/24/2016	06/24/2021
DOL	NYC		VINCENT PIZZITOLA		P O BOX 957 PORT JEFFERSON STA NY 11776	03/12/2014	03/12/2019
DOL	DOL		WAYNE LIVINGSTON JR	NORTH COUNTRY DRYWALL AND PAINT	23167 COUNTY ROUTE 59 DEXTER NY 13634	10/24/2016	10/24/2021
DOL	DOL		WESLEY J STAROBA		206 TALLY HO COURT SCHENECTADY NY 12303	06/19/2013	06/19/2018
DOL	DOL	****0078	WESLEY J STAROBA INC	S & S ELECTRIC	235 BROADWAY SCHENECTADY NY 12306	06/19/2013	06/19/2018
DOL	DOL	****7617	WHITE PLAINS CARPENTRY CORP		P O BOX 309 WHITE PLAINS NY 10603	12/04/2009	05/04/2017
DOL	DOL		WILLIAM CONKLIN		5 PARKER AVENUE POUGHKEEPSIE NY 12601	03/25/2014	03/25/2019
DOL	DOL		WILLIAM DEAK		C/O MADISON AVE CONSTR CO 39 PENNY STREET WEST ISLIP NY 11795	11/02/2016	11/02/2021
DOL	DOL		WILLIAM MAZZELLA		134 MURRAY AVENUE YONKERS NY 10704	02/03/2014	02/03/2019
DOL	DOL		WILLIAM THORNE		113 N MAPLE AVENUE GREENSBURG PA 15601	02/21/2013	02/21/2018
DOL	DOL		WILLIE BRINSON		72 TAUNTON PLACE BUFFALO NY 14216	04/14/2015	04/14/2020
DOL	DOL	****6195	WILSON BROTHER DRYWALL CONTRACTORS		36 ABERSOLD STREET ROCHESTER NY 14621	08/31/2015	08/31/2020
DOL	DOL	****7345	YES SERVICE AND REPAIRS CORPORATION		325 RABRO DRIVE - SUITE 1 HAUPPAUGE NY 11788	08/09/2016	08/09/2021
DOL	DOL		YURIY IVANIN		C/O MOUNTAIN'S AIR INC 2471 OCEAN AVENUE-STE 7ABROOKLYN NY 11229	09/24/2012	09/18/2020



IT IS A VIOLATION OF THE LAW FOR ANY PERSON, UNLESS ACTING UNDER THE DIRECTION OF THE LICENSED ENGINEER, TO ALTER ANY ITEM OR PORTION OF THIS DOCUMENT IN ANY WAY.  
 IF IN THE COURSE OF THIS PROJECT A CONDITION EXISTS WHICH DISAGREES WITH THAT AS REPRESENTED ON THESE PLANS, THE CONTRACTOR SHALL STOP WORK AND NOTIFY THE ENGINEER OR ASSUME ALL RESPONSIBILITY ARISING THEREFROM.  
 IT IS THE RESPONSIBILITY OF THE CONTRACTOR TO ENSURE THAT ALL MATERIAL ORDERED COMPLIES WITH PROJECT REQUIREMENTS.

per reference map #1



**Proposed Dam Repair**  
**TOWN OF CHESTERFIELD**  
**Augur Lake Dam**  
 ~ Situate ~  
 Frontage Road  
 Town of Chesterfield  
 Essex County State of New York

**FOR CONSTRUCTION**  
**MARCH 2017**

RYAN M. BURNS, NYS P.E. LICENSE No. 084062  
 DESTROY PREVIOUSLY DATED DRAWINGS

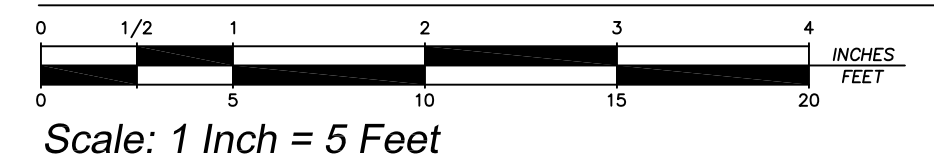
REVISIONS

No.	Date / by	Description

**Upstate Design Associates, LLC**  
 Consulting Engineers  
 Ryan M. Burns, P.E.  
 PO Box 60  
 Port Kent, New York  
 518-834-9898 (Phone)  
 518-536-9058 (Fax)  
 upstatedesign@charter.net  
 upstatedesignassociates11.com

PROJECT: AUGUR LAKE DAM REPAIR  
 CLIENT: TOWN OF CHESTERFIELD  
 LOCATION: FRONTAGE RD  
 DATE: DECEMBER 01, 2016  
 DES / DRN BY: RMB

**Plan - Proposed Augur Lake Dam Repair**

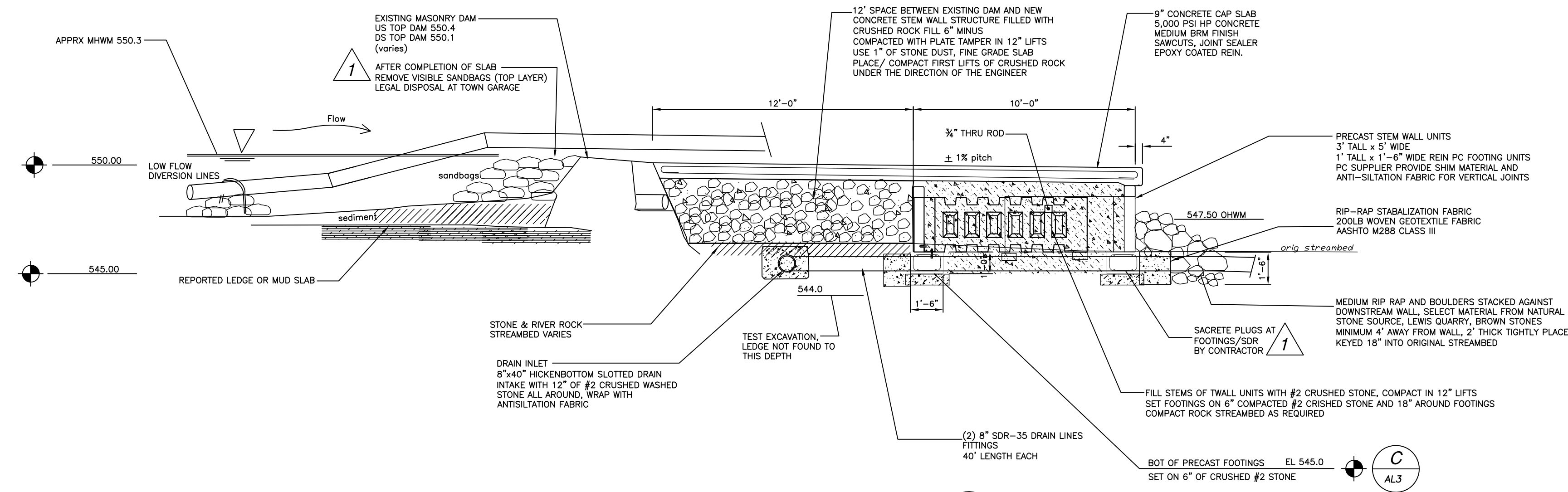
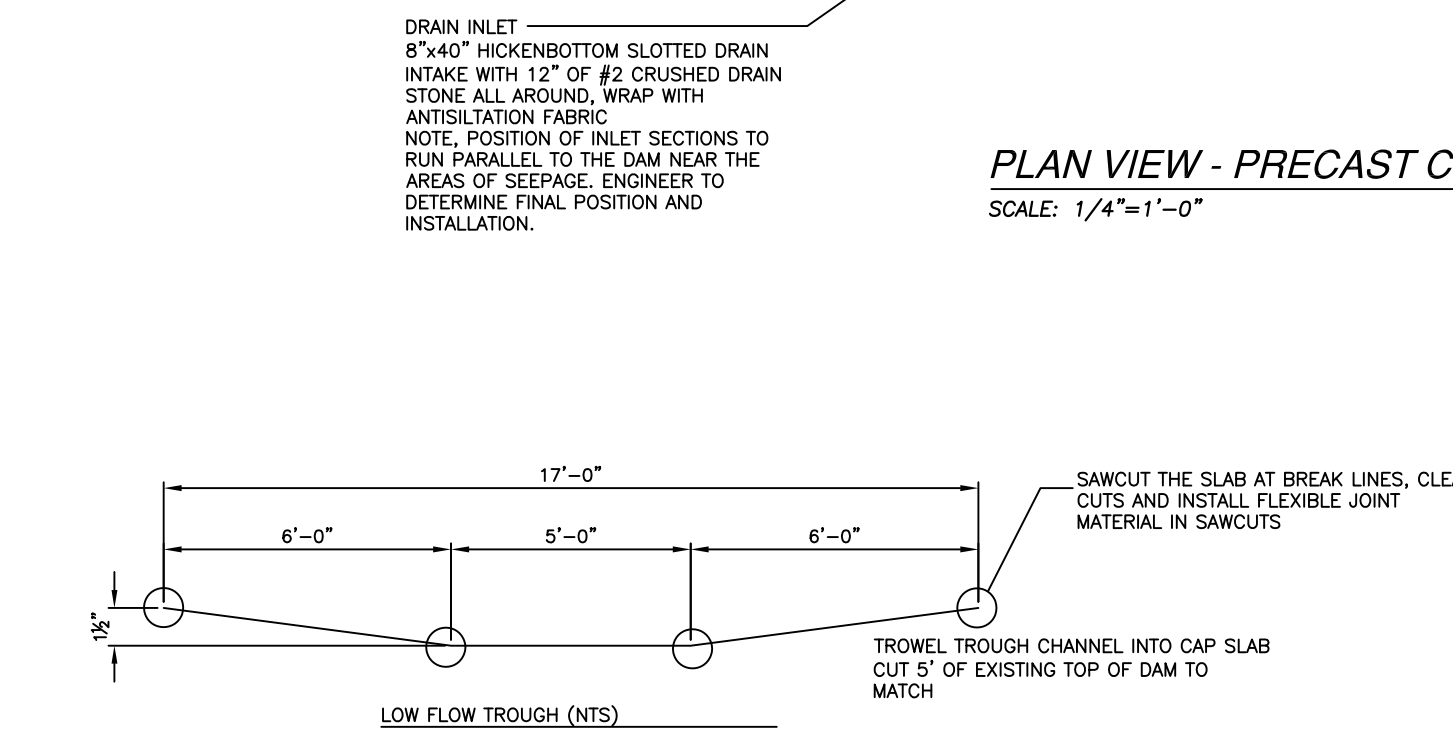
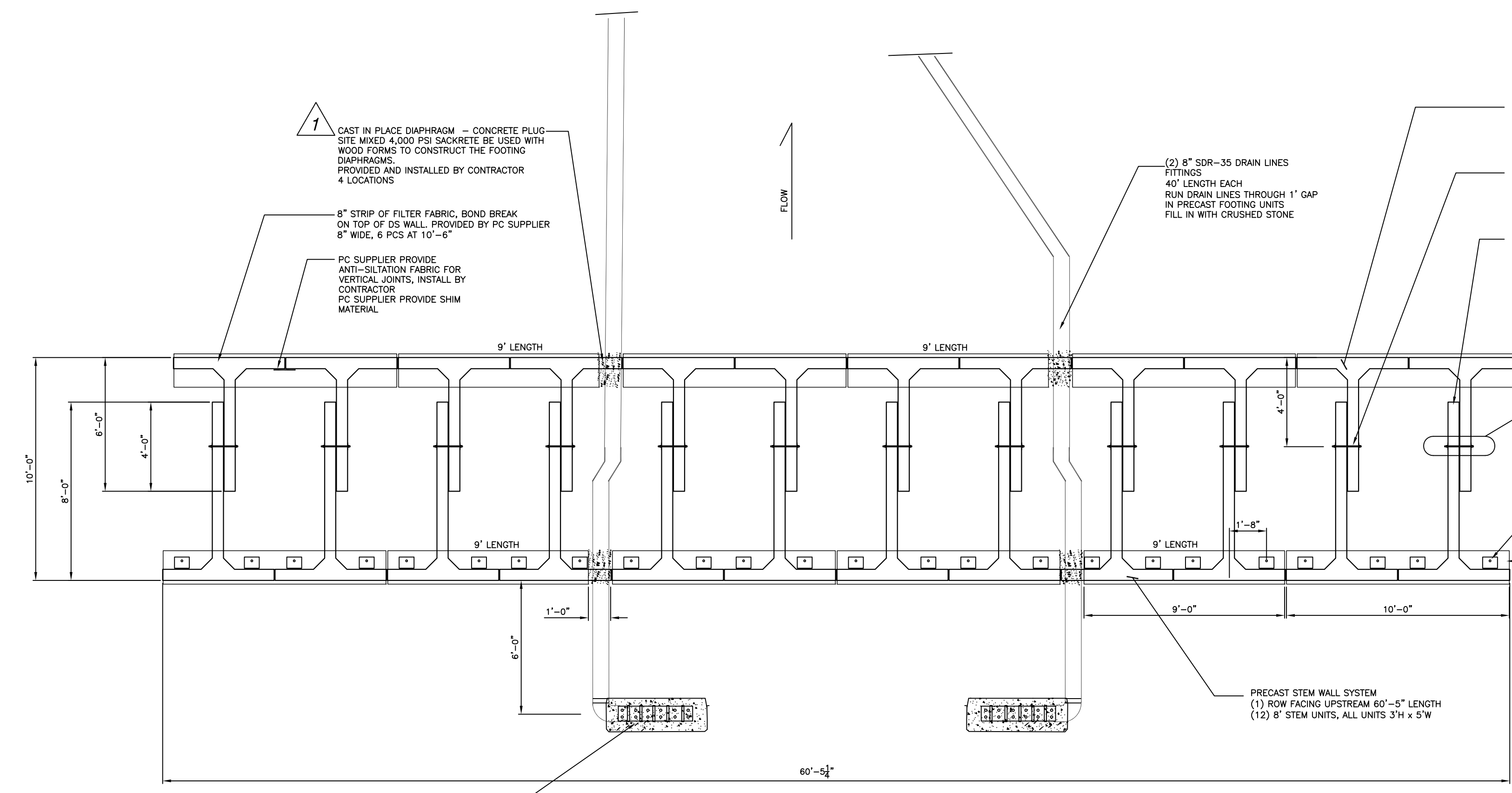
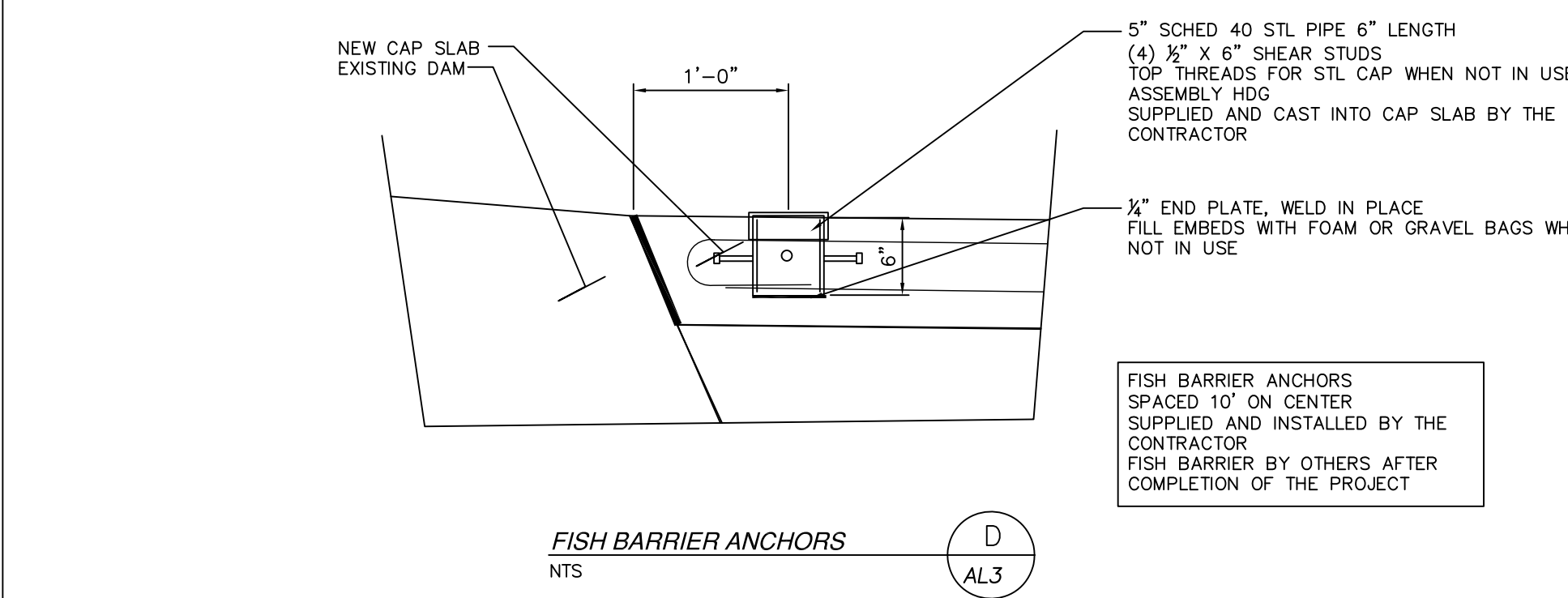
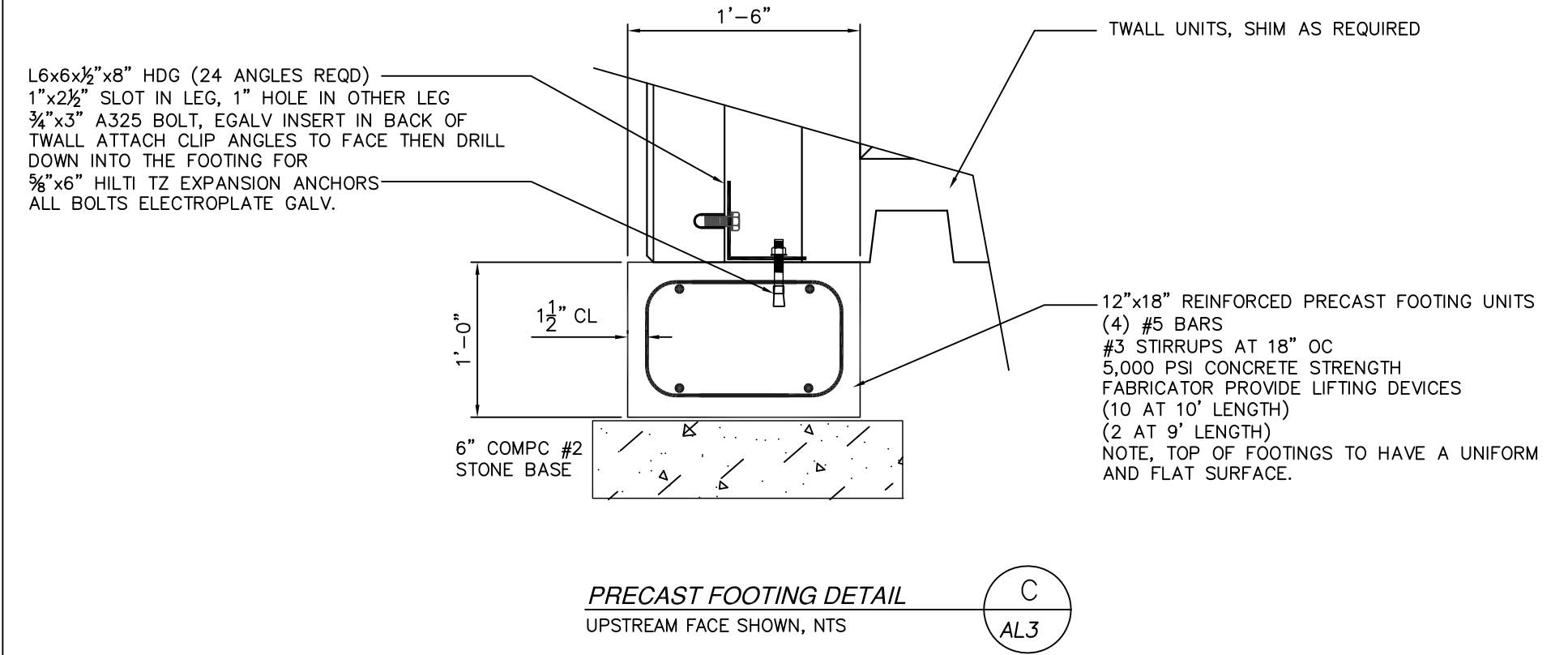


SURVEY INFORMATION TAKEN AND PREPARED BY HALL LAND SURVEYING  
 PERMISSION HAS BEEN GRANTED FOR USE  
 DO NOT USE THIS PLAN FOR SURVEY INFORMATION

IT IS A VIOLATION OF THE LAW FOR ANY PERSON, UNLESS ACTING UNDER THE DIRECTION OF THE LICENSED ENGINEER, TO ALTER ANY ITEM OR PORTION OF THIS DOCUMENT IN ANY WAY.

IF IN THE COURSE OF THIS PROJECT A CONDITION EXISTS WHICH DISAGREES WITH THAT AS REPRESENTED ON THESE PLANS, THE CONTRACTOR SHALL STOP WORK AND NOTIFY THE ENGINEER OR ASSUME ALL RESPONSIBILITY ARISING THEREFROM.

IT IS THE RESPONSIBILITY OF THE CONTRACTOR TO ENSURE THAT ALL MATERIAL ORDERED COMPLIES WITH PROJECT REQUIREMENTS.



# Proposed Dam Repair TOWN OF CHESTERFIELD

## Augur Lake Dam

~ Situate ~  
Frontage Road  
Town of Chesterfield  
Essex County State of New York



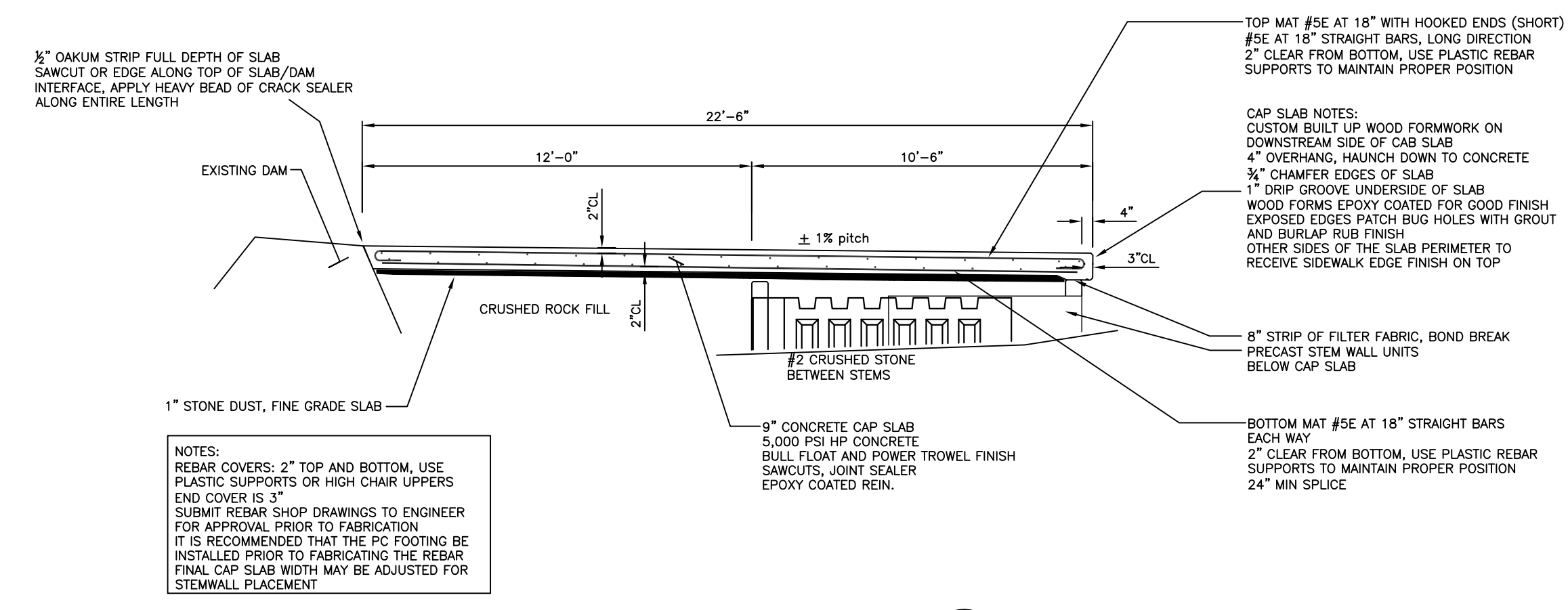
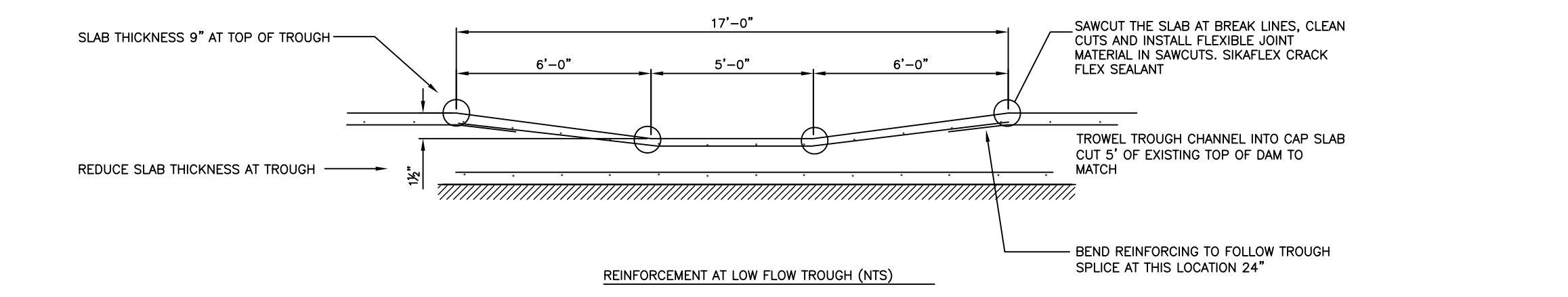
RYAN M. BURNS, NYS P.E. LICENSE No. 084062  
DESTROY PREVIOUSLY DATED DRAWINGS

REVISIONS		
No.	Date / by	Description
1	RB 3-5-17	DEC COMMENTS

**Upstate Design Associates, LLC**  
Consulting Engineers  
Ryan M. Burns, P.E.  
PO Box 60  
Port Kent, New York  
518-834-9898 (Phone)  
518-536-9058 (Fax)  
upstatedesign@charter.net  
upstatedesignassociates11.com

PROJECT: AUGUR LAKE DAM REPAIR  
CLIENT: TOWN OF CHESTERFIELD  
LOCATION: FRONTAGE RD  
DATE: DECEMBER 01, 2016  
DES / DRN BY: RMB

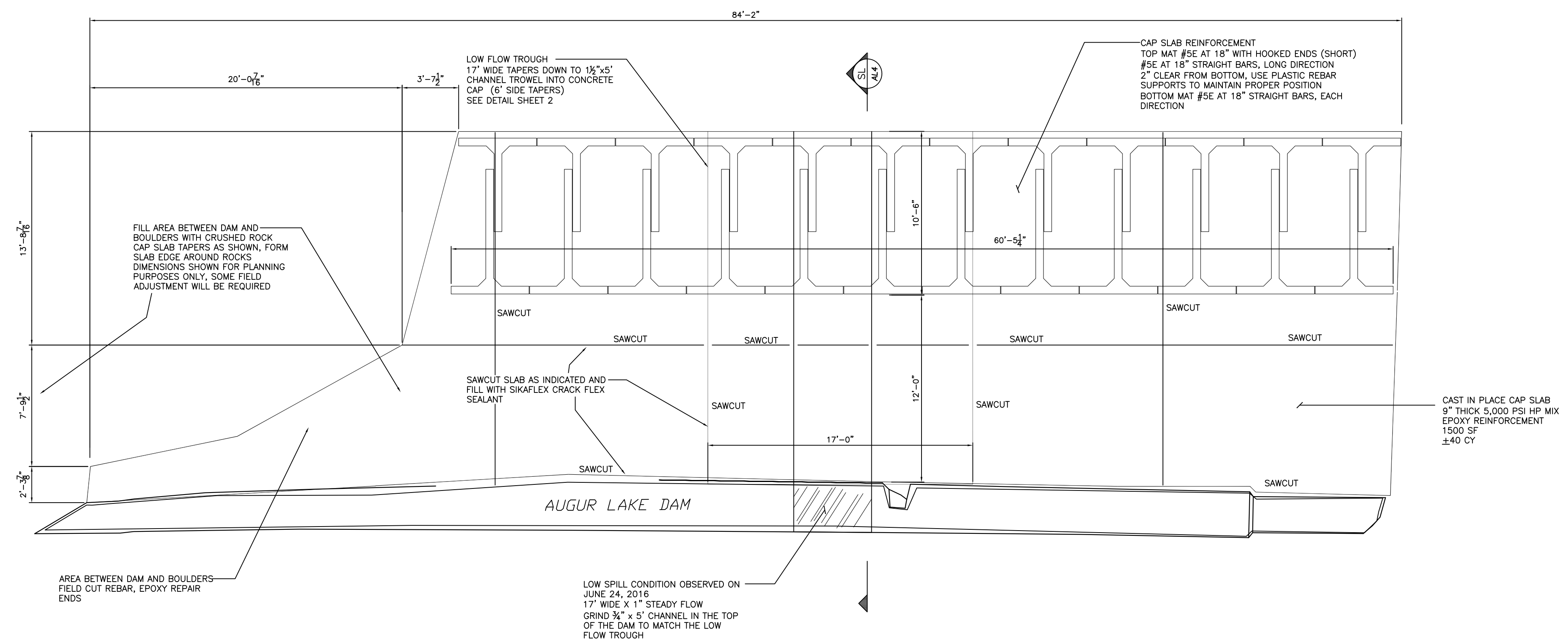
IT IS A VIOLATION OF THE LAW FOR ANY PERSON, UNLESS ACTING UNDER THE DIRECTION OF THE LICENSED ENGINEER, TO ALTER ANY ITEM OR PORTION OF THIS DOCUMENT IN ANY WAY.  
 IF IN THE COURSE OF THIS PROJECT A CONDITION EXISTS WHICH DISAGREES WITH THAT AS REPRESENTED ON THESE PLANS, THE CONTRACTOR SHALL STOP WORK AND NOTIFY THE ENGINEER OR ASSUME ALL RESPONSIBILITY ARISING THEREFROM.  
 IT IS THE RESPONSIBILITY OF THE OWNER/CONTRACTOR TO ENSURE THAT ALL MATERIAL ORDERED COMPLIES WITH PROJECT REQUIREMENTS.



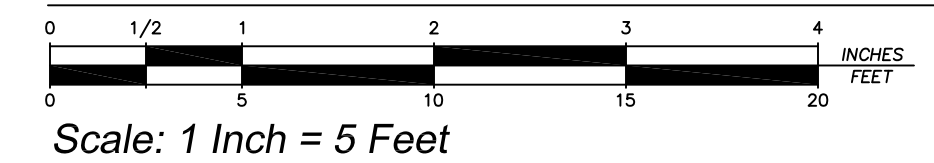
**CAP SLAB SECTION**  
 SCALE: 1/4"=1'-0"

SEE NOTES ON SHEET AL1  
 CONCRETE MINIMUM CURING REQUIREMENTS:  
 CAP SLAB: 14 DAY WET CURE, BURLAP AND POLY COVER  
 THE OWNER SHALL OBTAIN THE SERVICES OF THE A CONCRETE TESTING FACILITY  
 CONCRETE TESTING BY A NYSDOT APPROVED CONCRETE TESTING FACILITY  
 TEST CRITERIA:  
 SLUMP/AIR/TEMP/UNIT WEIGHT  
 6 CYLINDERS FIRST LOAD  
 COMPRESSION TESTS AT 7 & 28 DAY STRENGTHS  
 CONCRETE SHALL BE 5000 PSI NYS DOT CLASS HP  
 CONTRACTOR TO SUBMIT MIX DESIGN TO ENGINEER FOR APPROVAL

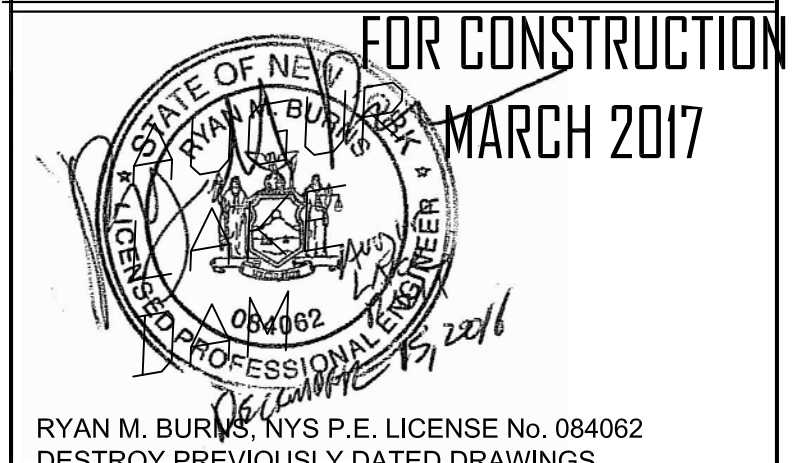
per reference map #1



**Plan - Proposed Cap Slab**



**Proposed Dam Repair**  
**TOWN OF CHESTERFIELD**  
**Augur Lake Dam**  
 ~ Situate ~  
 Frontage Road  
 Town of Chesterfield  
 Essex County State of New York



RYAN M. BURNS, NYS P.E. LICENSE No. 084062  
 DESTROY PREVIOUSLY DATED DRAWINGS

REVISIONS		
No.	Date / by	Description

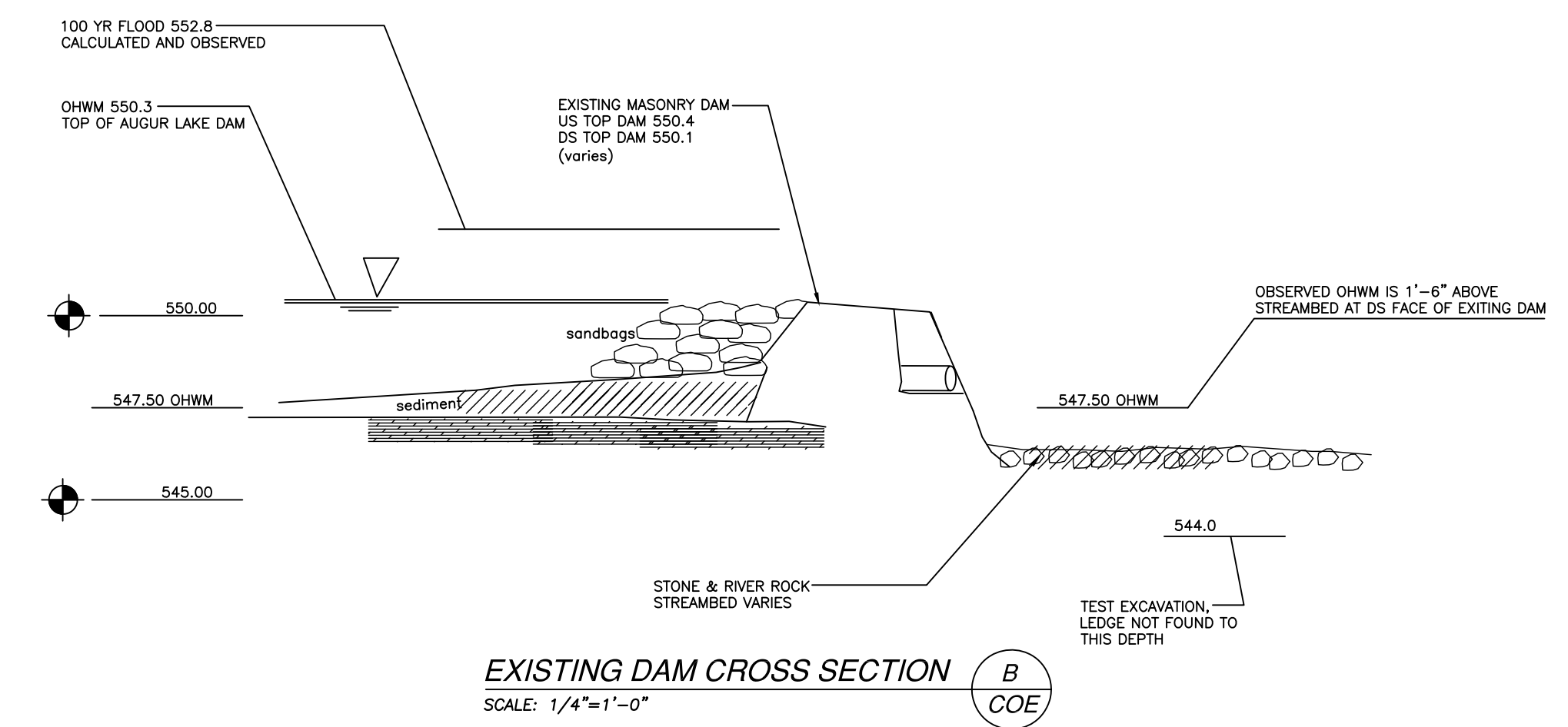
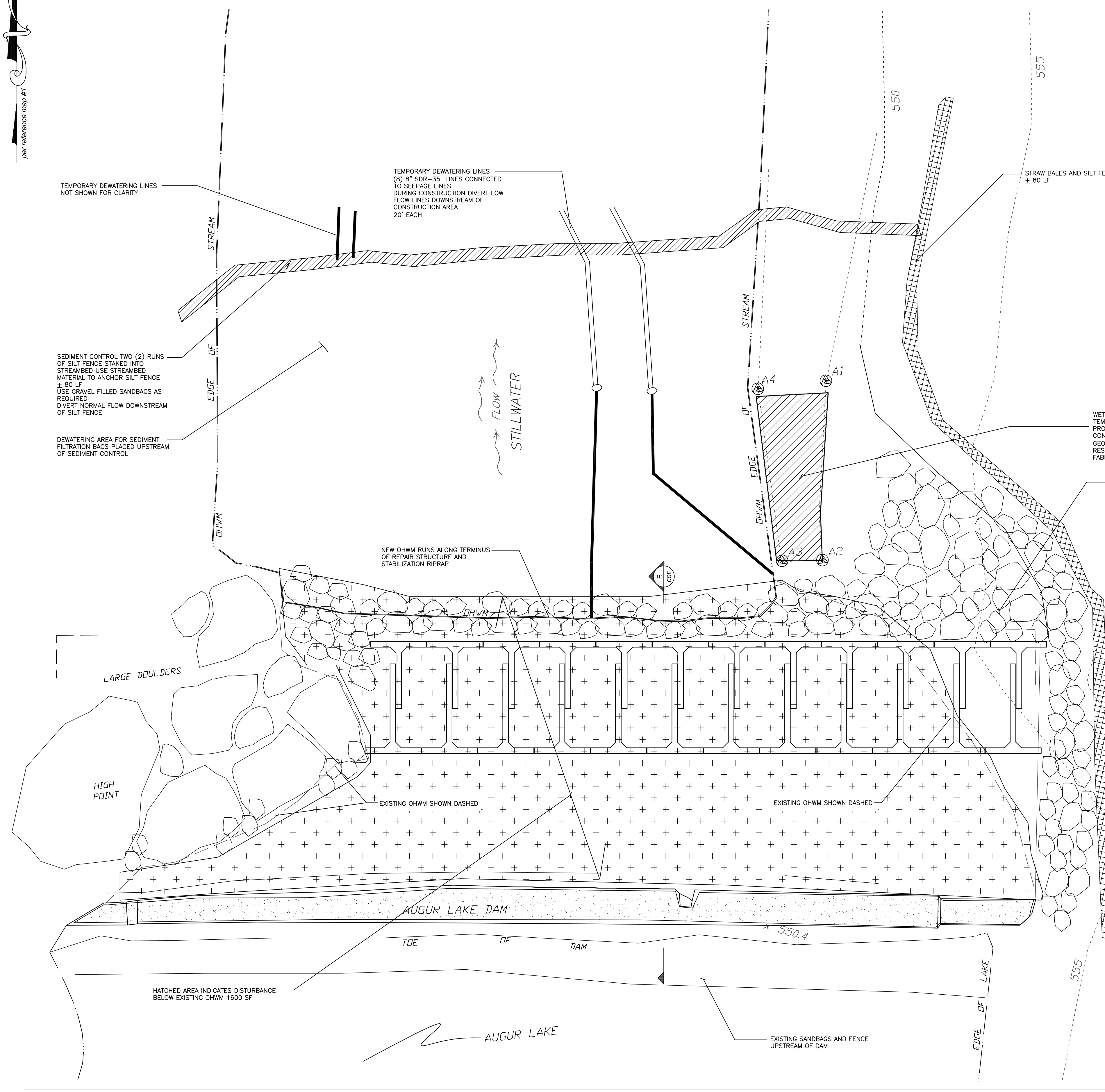
**Upstate Design Associates, LLC**  
 Consulting Engineers  
 Ryan M. Burns, P.E.  
 PO Box 60  
 Port Kent, New York  
 518-834-9898 (Phone)  
 518-536-9058 (Fax)  
 upstatedesign@charter.net  
 upstatedesignassociates11.com

PROJECT: AUGUR LAKE DAM REPAIR  
 CLIENT: TOWN OF CHESTERFIELD  
 LOCATION: FRONTAGE RD  
 DATE: DECEMBER 01, 2016  
 DES / DRN BY: RMB

SURVEY INFORMATION TAKEN AND PREPARED BY HALL LAND SURVEYING  
 PERMISSION HAS BEEN GRANTED FOR USE  
 DO NOT USE THIS PLAN FOR SURVEY INFORMATION

IT IS A VIOLATION OF THE LAW FOR ANY PERSON, UNLESS ACTING UNDER THE DIRECTION OF THE LICENSED ENGINEER, TO ALTER ANY ITEM OR PORTION OF THIS DOCUMENT IN ANY WAY.  
 IF IN THE COURSE OF THIS PROJECT A CONDITION EXISTS WHICH DISAGREES WITH THAT AS REPRESENTED ON THESE PLANS, THE CONTRACTOR SHALL STOP WORK AND NOTIFY THE ENGINEER OR ASSUME ALL RESPONSIBILITY ARISING THEREFROM.  
 IT IS THE RESPONSIBILITY OF THE OWNER/CONTRACTOR TO ENSURE THAT ALL MATERIAL ORDERED COMPLIES WITH PROJECT REQUIREMENTS.

per reference map #1



APPROXIMATE EARTHWORK QUANTITIES BELOW OHWM

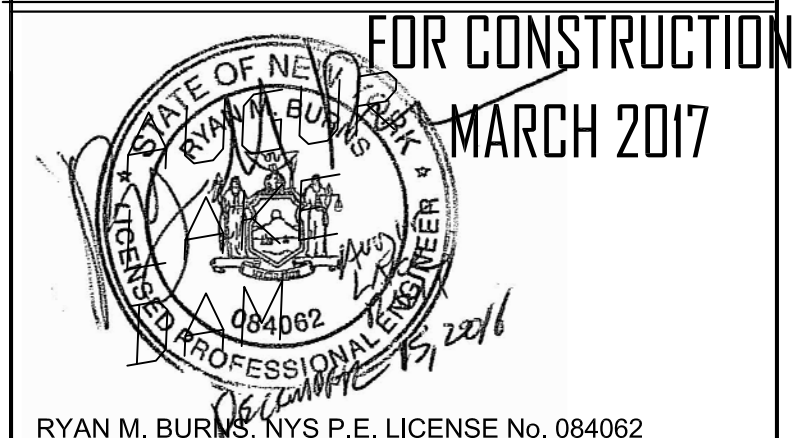
AREA OF DISTURBANCE BELOW EXISTING OHWM	1600 SF
EXCAVATION BELOW EXISTING OHWM	45 CY
#2 STONE FILL BELOW OHWM	44 CY
PRECAST CONCRETE BELOW OHWM	12 CY
RIPRAP BELOW OHWM	25 CY
CRUSHED ROCK FILL BELOW OHWM	80 CY
TOTAL FILL BELOW OHWM	161 CY
AREA OF TEMPORARY WETLANDS IMPACT	100 SF

QUANTITIES ABOVE DO NOT REPRESENT TOTAL MATERIALS REQUIRED FOR THE PROJECT. FOR ARMY CORP USE ONLY.

**Proposed Dam Repair**  
**TOWN OF CHESTERFIELD**

**Augur Lake Dam**

~ Situate ~  
 Frontage Road  
 Town of Chesterfield  
 Essex County State of New York



RYAN M. BURNS, NYS P.E. LICENSE No. 084062  
 DESTROY PREVIOUSLY DATED DRAWINGS

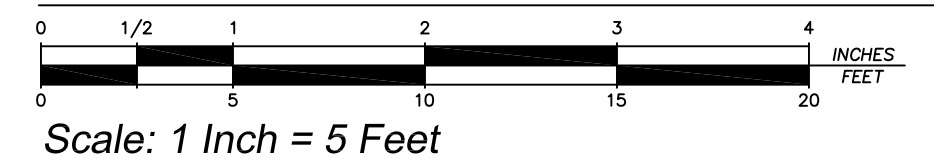
REVISIONS

No.	Date / by	Description

**Upstate Design Associates, LLC**  
 Consulting Engineers  
 Ryan M. Burns, P.E.  
 PO Box 60  
 Port Kent, New York  
 518-834-9898 (Phone)  
 518-536-9058 (Fax)  
 upstatedesign@charter.net  
 upstatedesignassociates11.com

PROJECT: AUGUR LAKE DAM REPAIR  
 CLIENT: TOWN OF CHESTERFIELD  
 LOCATION: FRONTAGE RD  
 DATE: DECEMBER 01, 2016  
 DES / DRN BY: RMB

**Site Plan - Augur Lake Dam Repair**



SURVEY INFORMATION TAKEN AND PREPARED BY HALL LAND SURVEYING  
 PERMISSION HAS BEEN GRANTED FOR USE  
 DO NOT USE THIS PLAN FOR SURVEY INFORMATION