

ESSEX COUNTY
STORMWATER SYSTEM RECONSTRUCTION
AES PROJECT NO. 4270

DOCUMENT 009100

ADDENDA

ADDENDUM NUMBER 2

DATE: December 16, 2014
PROJECT: Stormwater System Reconstruction
AES PROJECT NO: 4270
OWNER: Essex County
ENGINEER: AES Northeast, PLLC
TO: Prospective Bidders/Plan Holders

This Addendum forms a part of the Contract Documents and modifies the Bidding Documents dated November 21, 2014 and Addendum Number 1 dated December 9, 2014, with amendments and additions noted below.

Acknowledge receipt of this Addendum in the space provided in the Bid Form. Failure to do so may disqualify the Bidder.

This Addendum, consists of (11) pages total; DOCUMENT 009100 – ADDENDUM NO. 2 (4) Pages; PRE-BID CONFERENCE MEETING MINUTES (2) Pages; SIGN-IN SHEET (2) Pages; DOCUMENT 004300-AA – BID FORM SUPPLEMENTS (2) Pages; DRAWING C-501 -DETAILS, dated 12/16/14 Per Addendum No. 2 (1) Page (24 x 36).

CHANGES TO THE PROJECT MANUAL

ITEM NO. 1

Narrative Summary: Revises Bid Form Supplements.
DOCUMENT – 004300-A – BID FORM SUPPLEMENTS
Delete: In its Entirety.
Insert: Document 004300-AA Bid Form Supplements.

CHANGES TO THE DRAWINGS

ITEM NO. 2

Narrative Summary: Replaces Drawing.
DRAWING C-501 – DETAILS
Delete: In its Entirety.
Insert: Drawing C-501 – DETAILS, dated 12/16/14 Per Addendum No. 2.

ESSEX COUNTY
STORMWATER SYSTEM RECONSTRUCTION
AES PROJECT NO. 4270

QUESTIONS

Question No. 1: Does the county supplied Storm Quality Unit come with the H-25 traffic rated covers?

ANSWER: The County will supply the stormwater quality treatment unit H-25 traffic rated covers.

Question No. 2 Bid Form shows sub note 2, that County is providing 5 storm manholes. It then references core drilling these catch basins. Please clarify if County is providing Manholes or Catch Basins?

ANSWER: The bid form has been revised. The Contractor will be responsible for providing all storm manholes and catch basins.

Question No. 3 Do Manholes/Catch Basins provided by County include necessary traffic rated frames and covers?

ANSWER: The bid form has been revised. The Contractor will be responsible for providing all storm manholes and catch basins.

Question No. 4 Is aircraft locator cable required for these HDPE pipes? The utility trench detail 1/C501 states it is not required if structures are present. The Structures Details (2/C501 and 5/C501) both reference connecting the tracer cable to the manhole cover. Please clarify.

ANSWER: Sheet C-501 has been revised. The aircraft locator cable will not be required for this project.

Question No. 5 Utility Trench Detail 1/C501 depicts #1/#2 Stone Backfill. The notes reference utilizing suitable excavated material as backfill under the base pipe installation unit, with payment for select granular fill if imported material is required. We assume the same goes for the #1/#2 stone unit. Please Clarify.

ANSWER: Excavated soils will not be reused for this project. Sheet C-501 has been revised.

Question No. 6 Manhole Details (2/C501) and Catch Basin Detail (5/C501) depict the use of select granular fill. We assume that suitable onsite material is to be incorporated into the bid unit (similar to the HDPE) and imported select granular will be paid for under its separate bid item, if required. Please advise.

ANSWER: Excavated soils will not be reused for this project. Sheet C-501 has been revised. NYSDOT Item 703.4 (#1's / #2's) will be used for backfill around manholes and catch basins.

Question No. 7 Please Clarify Addendum #1 Question No. 2 Response. Contractor will be paid under Bid Item #12 "Road Reconstruction" for any asphalt replacement required

ESSEX COUNTY
STORMWATER SYSTEM RECONSTRUCTION
AES PROJECT NO. 4270

outside of the hatched roadway replacement areas on C101A, C102A and C103A. Payment is limited to the same 6' pay limit width of HDPE installation.

ANSWER: **Asphalt replacement for this project will be paid under Bid Item #12 "Road Reconstruction". Payment is limited to the 6' pay width for HDPE installation.**

Question No. 8 Bid Form outlines 11 manholes in the bid unit. Including manhole 10A, it looks like there are 12 total. Please advise.

ANSWER: **The bid form has been revised to include 12 total manholes.**

Question No. 9 Bid Form assumes 375 CY of rock removal. Can the engineer provide any information (boring logs, test pits, etc...) pertaining to rock within the limits of work? If unavailable, can the engineer provide basis for 375 cy bid quantity?

ANSWER: **A subsurface investigation was not completed for this project. Based on previous work completed within the Town of Essex, bedrock has been observed at the relative depth of the utility trench installation.**

Question No. 10 Bid Form outlines 1,675 LF of restoration. A bulk of the HDPE LF is within the road reconstruction hatched areas. Please confirm that restoration pay quantity will be based on total LF of HDPE installed, not just the topsoil areas outside of the roadway.

ANSWER: **Contractor to be paid for restoration based on actual total quantity of Bid Items 2, 3, and 4 installed.**

Question No. 11 Are the Frame & Covers for the Water treatment unit going to be provided with the unit?

ANSWER: **Refer to Item No. 1 of this Addendum No. 2.**

Question No. 12 Where does the contractor drop off all exiting F&G for the owner? DPW?

ANSWER: **The Contractor will be responsible for placing all existing frames and grates at the Town of Essex water storage tank (current location of stored water quality treatment unit).**

Question No. 13 Is there any information on Ground water table?

ANSWER: **A subsurface investigation was not completed for this project.**

Question No. 14 Is pipe wrap required? 1/C501?

ANSWER: **Sheet C-501 has been revised. The pipe wrap previously mentioned in 1/C-501 will not be required.**

Question No. 15 Who pays for testing/inspection?

ESSEX COUNTY
STORMWATER SYSTEM RECONSTRUCTION
AES PROJECT NO. 4270

ANSWER: The Owner will pay for testing and inspection for this project.

Question No. 16 Is on-site material allowed for Reuse?

ANSWER: Excavated soils will not be reused for this project.

Question No. 17 Does the town want all extra native material? Waste Area?

ANSWER: The Contractor will be responsible for the disposal of spoils for this project.

Question No. 18 Section 330513, Part 2.1 subpart D. calls for formed steel wire reinforcing rods with a galvanized finish. Is all reinforcing steel in the manholes and catch basins to be galvanized?

ANSWER: Galvanized finished reinforcement for structures and catch basins will not be required for this project.

Question No. 19 Section 330513, Part 2.2 subpart D. calls for a minimum of (2) 3" grade rings per cylindrical structure. Should these be included in my structure calculations or in addition to them?

ANSWER: For manholes, the grade rings should be included in the structure calculations.

Question No. 20 Section 330513, Part 2.5 subpart 2.a. Syracuse castings is now part of EJ. Would EJ be an approved manufacturer?

ANSWER EJ will be an acceptable manufacturer.

END OF DOCUMENT

ESSEX COUNTY
STORMWATER SYSTEM RECONSTRUCTION
AES PROJECT NO. 4270

DOCUMENT 004300-AA

BID FORM SUPPLEMENTS

To: **Essex County**

Project: **Stormwater System Reconstruction**

Date:

Submitted by:
(full name)

(full address)

In accordance with Document 002113 - Instructions to Bidders and Document 004113 - Bid Form - Stipulated Price, we include the Appendices to Bid Form Supplements listed below. The information provided shall be considered an integral part of the Bid Form.

- Essex County Bidder's Checklist (1 Page)
- Essex County Certificate of Authority (1 Page)
- Essex County Certification of Experience (1 Page)
- Essex County Security Form #1: Consent of Surety (1 Page)
- Essex County Statement of Surety's Intent (2 Pages)
- Essex County Non-Collusive Bidding Certification (1 Page)
- Essex County Contractor's Acknowledgement (1 Page)

BID FORM SUPPLEMENTS SIGNATURES

The Corporate Seal of

.....
(Bidder - print the full name of your firm)

was hereunto affixed in the presence of:

.....
(Authorized signing officer Title)

(Seal)

.....
(Authorized signing officer Title)
(Seal)

ESSEX COUNTY
 STORMWATER SYSTEM RECONSTRUCTION
 AES PROJECT NO. 4270

SECTION 004300-AA

BID FORM SUPPLEMENTS

**EXHIBIT A - LIST OF UNIT PRICES
 BASE BID (CONTRACT (GC))**

The following is the list of unit prices referenced in the bid submitted by:

(Bidder)

To: Essex County
 Stormwater System Reconstruction

Dated: and which is an integral part of the Bid Form.

The following are Unit Prices for specific portions of the Work as listed, and are applicable to authorized variations from the Contract Documents.

<u>No.</u>	<u>Description of Item</u>	<u>Units</u>	<u>Est. Qty</u>	<u>Value</u>	<u>Total Cost</u>
1	Protection and Maintenance of Traffic	LS	1	\$	\$
2	12" HDPE Storm Pipe	LF	75	\$	\$
3	18" HDPE Storm Pipe	LF	300	\$	\$
4	24" HDPE Storm Pipe	LF	1300	\$	\$
5	Stormwater Quality Treatment Unit *	LS	1	\$	\$
6	Storm Manholes	EA	12	\$	\$
7	Storm Catch Basins	EA	12	\$	\$
8	Rock Removal	CY	375	\$	\$
9	Flowable Fill	CY	10	\$	\$
10	Abandon Existing Laterals	EA	7	\$	\$
11	Restoration **	LF	1675	\$	\$
12	Road Reconstruction (includes subbase, grading)	SY	3250	\$	\$
13	Drop Inlet Protection	EA	12	\$	\$
14	#1 / #2 Stone Mix	CY	1500	\$	\$
15	Select Granular Fill	CY	200	\$	\$
16	General Allowance	LS	1	\$ 50,000	\$
				TOTAL BID	\$

(Insert on Document 004113 - Bid Form)

*Stormwater Quality Treatment Unit to be supplied by Essex County. Contractor responsible for installation per details.

**Contractor to be paid for restoration based on actual total quantity of Bid Items 2, 3, and 4 installed.

END OF DOCUMENT

Bid Form Supplements
 004300-AA

Essex County
Stormwater System Reconstruction
AES Project No. 4270

PRE-BID CONFERENCE MEETING MINUTES – 9:00 A.M.

Date: December 12, 2014

1. Sign-in Sheet was distributed for all in attendance and attached to the Pre-Bid Conference meeting minutes.
2. Jim Dougan of AES Northeast introduced himself and his role of Construction Manager on the project.
3. Bids are due at 2:00 PM on Friday, December 19, 2014, at Office of the Purchasing Agent, 7551 Court Street, Elizabethtown, NY 12932, where bids will be opened and read aloud. Any bid received after 2:00 PM on Friday, December 19, 2014 will not be accepted and returned to the bidder unopened.
4. This Contract is being Bid as (1) Prime Contract - (GC) for General Construction work; Prime Contract is being Bid as a Unit Price Bid. Base Unit Price Bid shall include any allowances specified in the Bidding documents. **Addendum No. 1 was issued, which includes Revised Document 004300-A – Bid Form Supplements (both pages 1 and 2).**
5. Jim Dougan of AES Northeast provided a brief description of project, including the following: **Work of the overall Project includes, but not limited to, the following major components: Replacement of the stormwater system along Main Street and Beggs Point Road in Essex, NY, including roadway reconstruction, water quality treatment unit and restoration.** There are no Bid Alternates for this project.
6. **The Owner requires the Project to be commenced at the site no later than April 15, 2015 (weather pending) and completed on or before June 30, 2015.**
7. Contractors were reminded to review the "Bidder's Checklist" located in the spec book for the required forms that must be executed and notarized, if applicable with their bid:
 - Bid Form (Including Bid Form Supplements Document 004300-A)
 - Certificate of Authority
 - Certification of Experience
 - Bid Security Form #1
 - Statement of Surety's Intent
 - Certification of Compliance with Iran Divestment Act
 - Non-Collusive Bidding Certification
8. The successful bidder will be required to provide Performance and Payment Bonds in an amount equal to 100% of the contract value (Refer to Contract documents).
9. In order for the Engineer and Essex County to review bids immediately, as indicated above, Certification of Experience shall be provided with their Bid.

10. This is a prevailing wage rate project therefore, NYS Prevailing Wage Rates are included in the specification manual, Appendix A.
11. Discussion was had regarding erosion and sediment control. SWPPP is not required for this project. Contractor must have a **"responsible person" for stormwater control on the project site at all times during construction. Responsible person to have a current certification from NYS DEC in stormwater control. New York Standards and Specifications for Erosion and Sediment Control and NYS Stormwater Management Design Manual shall be followed.**
12. Contractors were reminded that they must dispose of any spills at an APA permitted disposal site.
13. Project Specific Clarifications
 - Exhibit C – Insurance Requirements – Public Works Contractors (AES should be included as additional insured).
 - Appendix D – Standard Clauses for Essex County Contracts.
 - Contractor Progress Payment Waiver, Release and Discharge (must be submitted with each payment application request)
 - Contractor Final Payment Waiver, Release and Discharge
 - Contractor's Affidavit Relative to Final Payment
 - Subcontractors/Supplier Progress Payment Waiver, Release & Discharge (must be submitted with each payment application request).
 - Subcontractor/Supplier Final Waiver, Release and Discharge
 - Appendix E – General Specification for Procurement Contracts
14. All in attendance were allowed to ask specific questions. All questions should be submitted in writing utilizing the RFC Form in the specifications manual and all questions should be received by **December 15, 2014.**
15. With no further business, the meet was adjourned. All in attendance were invited to the project site for a site walkthrough.

END OF DOCUMENT

PROJECT: Essex County
Stormwater System Reconstruction

DATE: December 12, 2014
 TIME: 9:00 A.M.

AES PROJECT NO: 4270

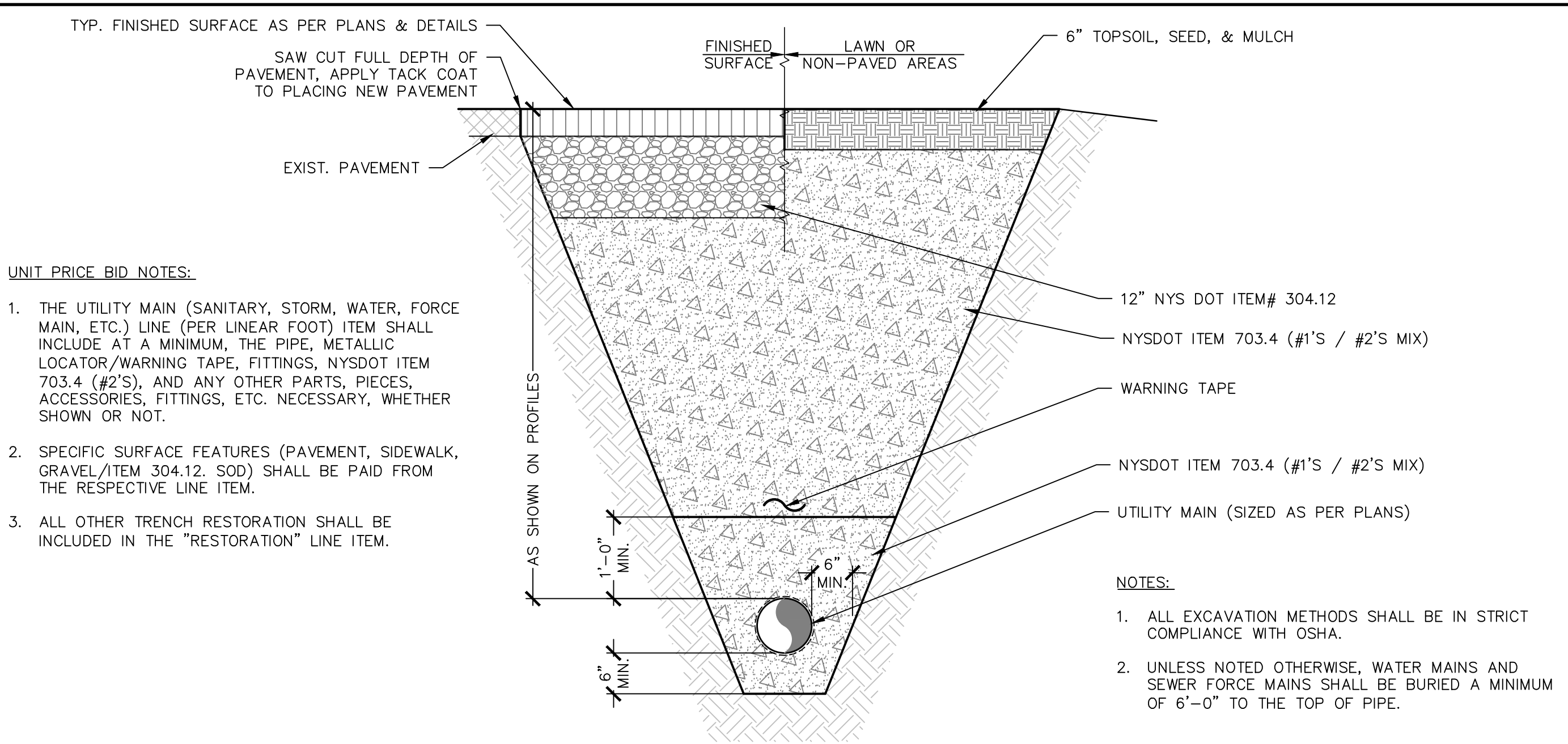
PRE-BID CONFERENCE SIGN-IN SHEET

(PLEASE PRINT)

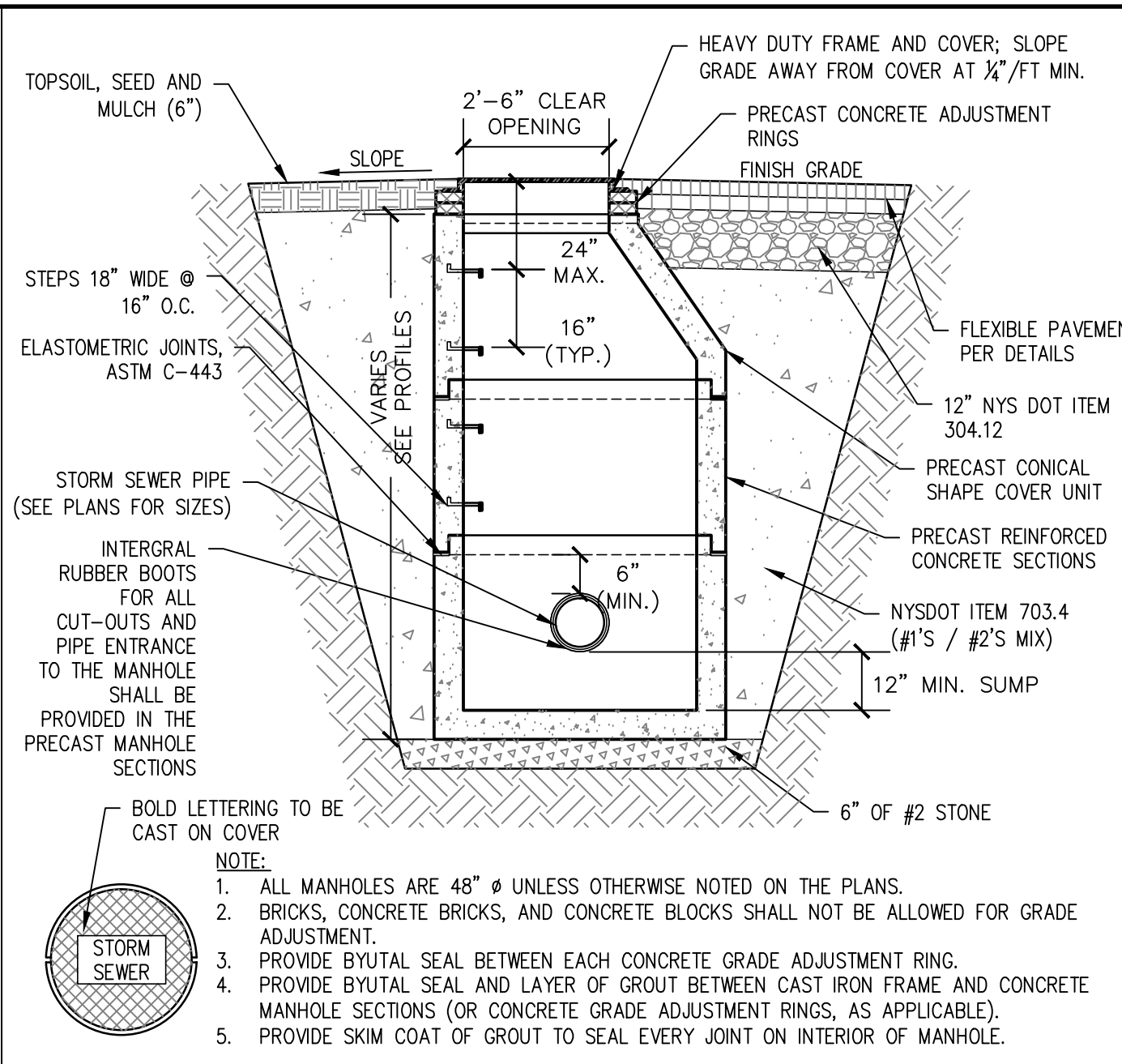
NAME	REPRESENTING	TELEPHONE NO.	FAX NO.	E-MAIL
Jim Dougan, CM/BM	AES Northeast, PLLC	(518) 561-1598	(518) 561-1990	jimdougan@aesnortheast.com
Ryan Davies, PE	AES Northeast, PLLC	(518) 561-1598	(518) 561-1990	ryandavies@aesnortheast.com
Chris Garrow	EC DPW	873-3745		
TERRY BRANON	BRANON CONST.	516-778	516-5474	TBRANON@BRANONCONSTRUCTION.COM
DAN DUNNEN	JE SITE ETAN	315-265-8427	537	dandinneen@jeshedman.net
Eric Sayer	ARON	327-3771		CDS@Rothman, Lin
Eric Blanchard Carl Ross	Riznick	597-4224	597-4225	eblanchard@riznick.com
JEFF PITCHER	NSD, INC.	561-2812		NORTHERN SD @VERIZON.NET
Bob Kaleita	John W Sheehan & Sons	963-4303	963-4448	sheehansons@willer.com

NAME	REPRESENTING	TELEPHONE NO.	FAX NO.	E-MAIL
PETER REALE	REALE CONST	585-6782	585-2892	reale p @ realeconstruction.com
Kyle Koss	Fuller	834-4617	834-4619	Kyle@Fullerarch.com
Eric Deyo Pugh	Fuller	" "	" "	" "
Kevin Gregory	MJ. Raymond	891-8822	891-8822	Kevin@MJRaymond.com
CRAIG AMER	Luck Bros.	561-4321	561-8462	CRAIG@LUCKBROS.COM

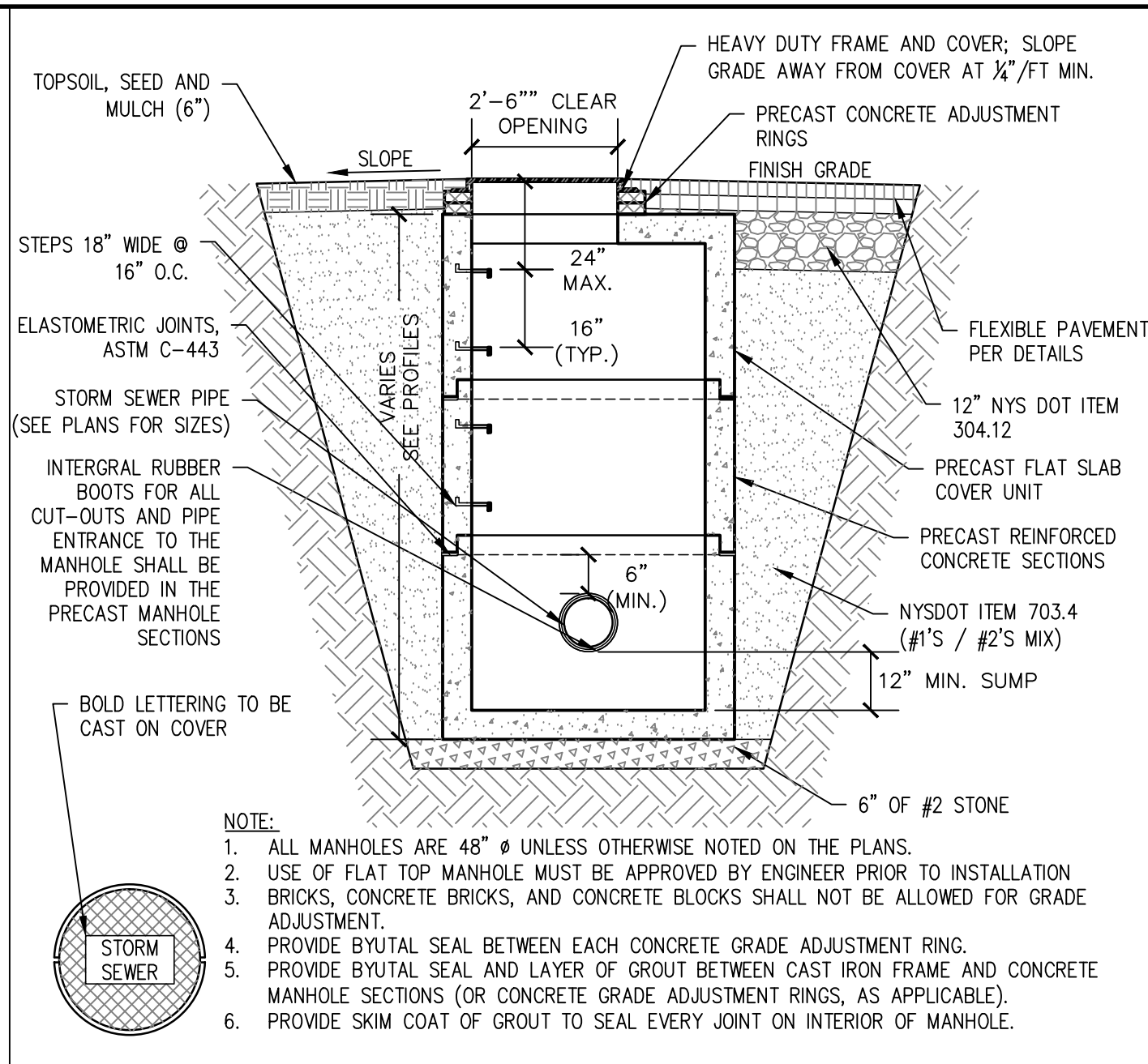
Handwritten mark or signature.



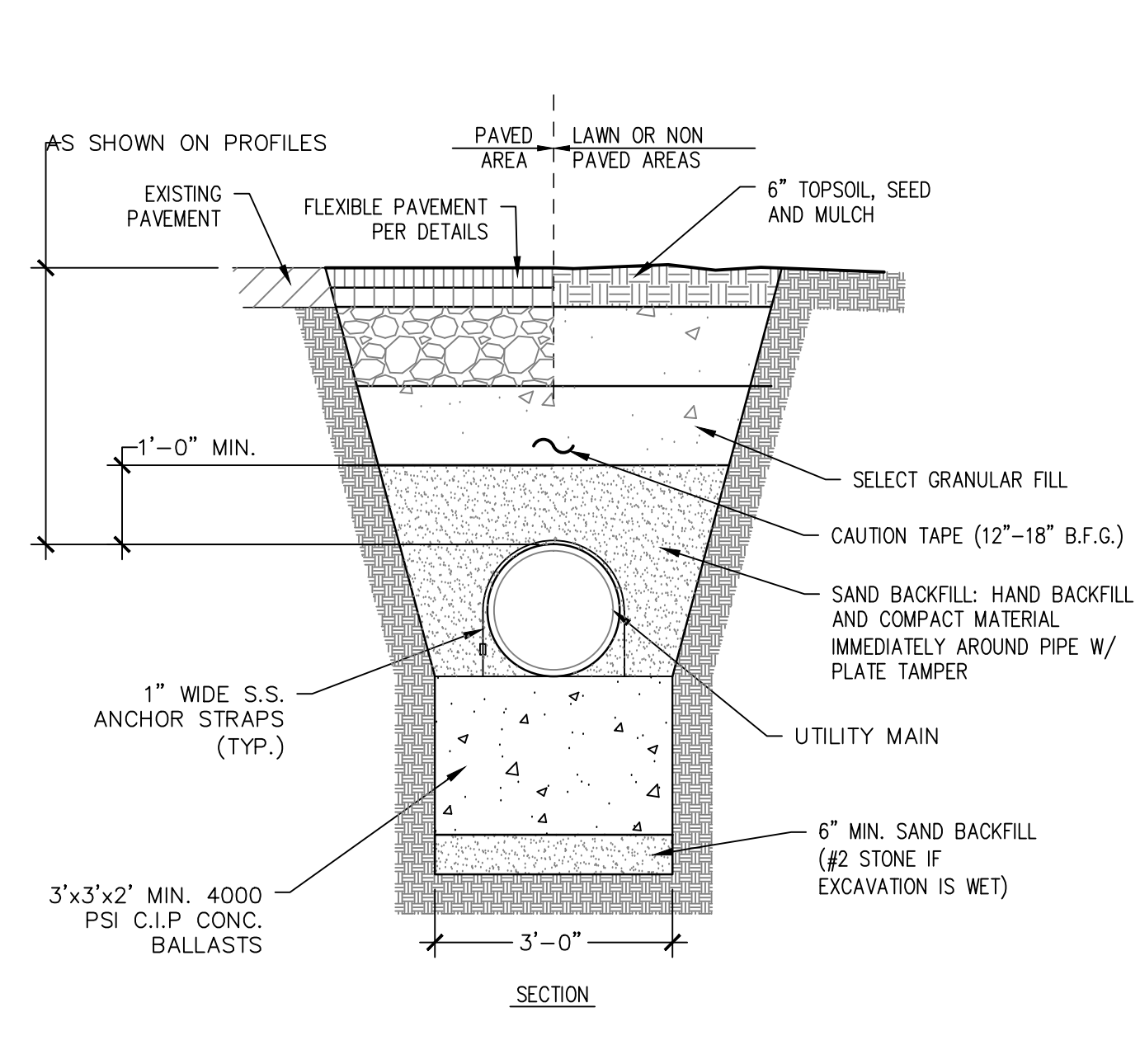
1 TYP. UTILITY MAIN TRENCH
 SCALE: 3/4" = 1'-0"



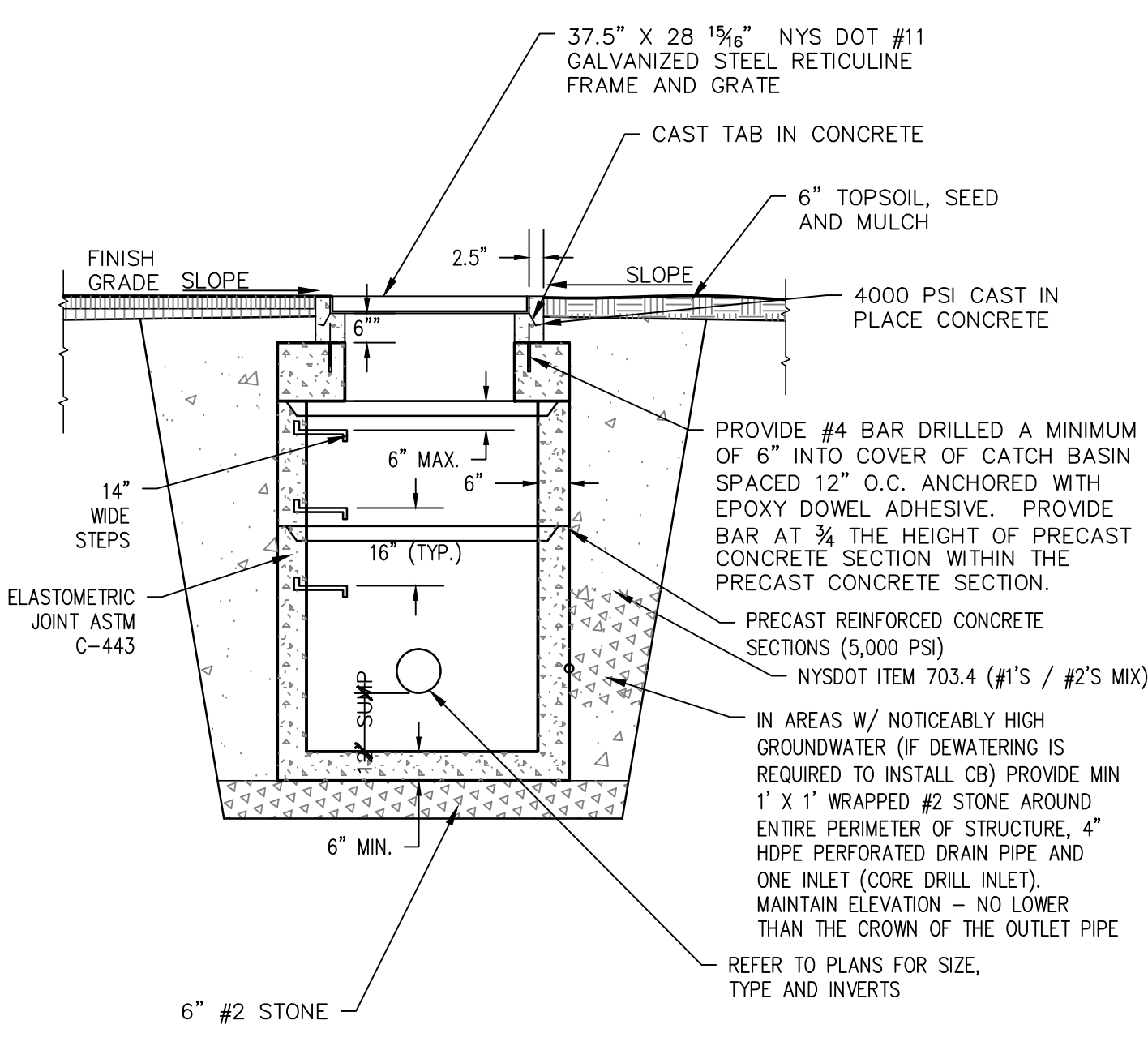
2 STORM SEWER MANHOLE
 SCALE: 3/8" = 1'-0"



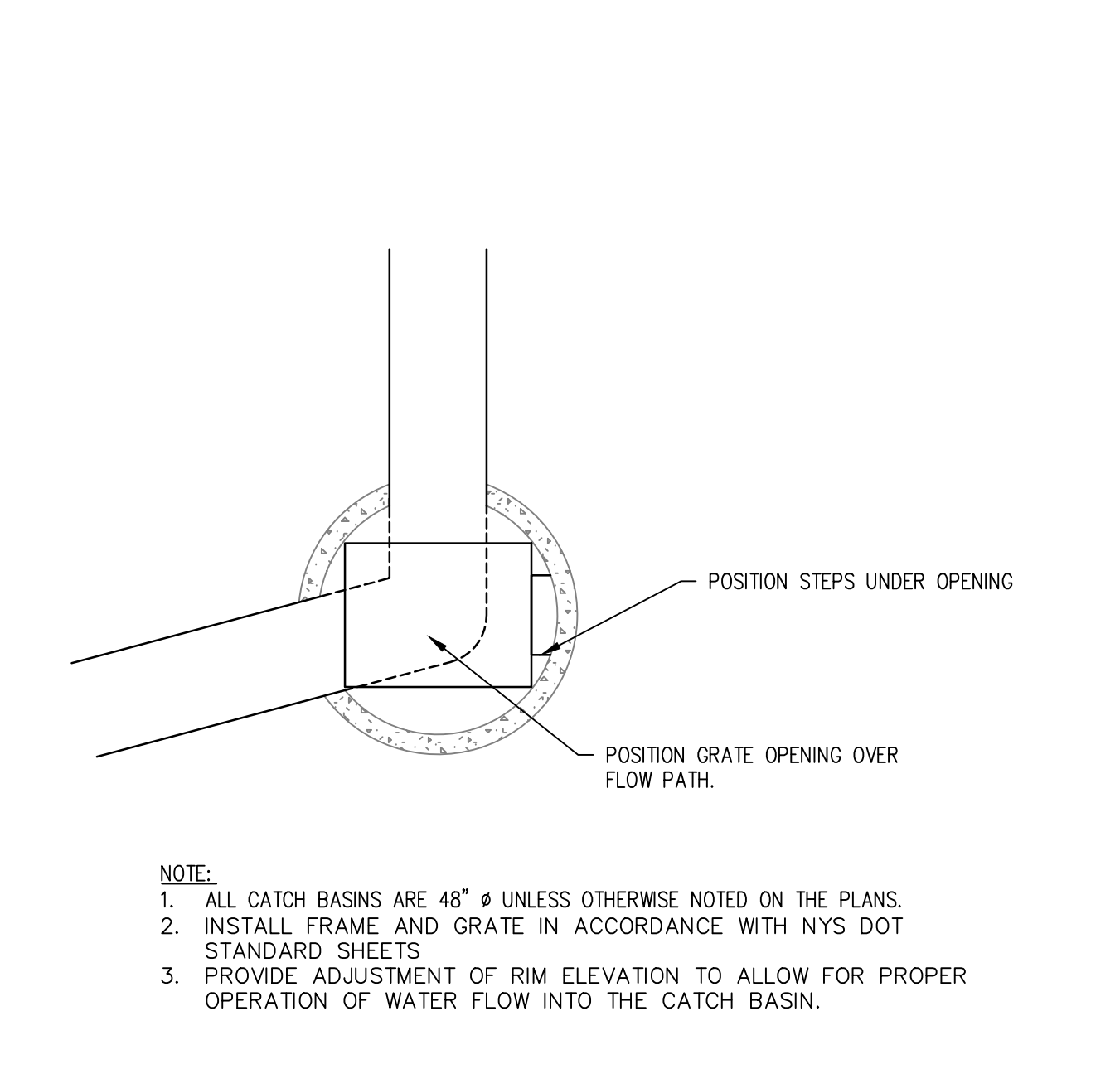
3 STORM SEWER MANHOLE
 SCALE: 3/8" = 1'-0"



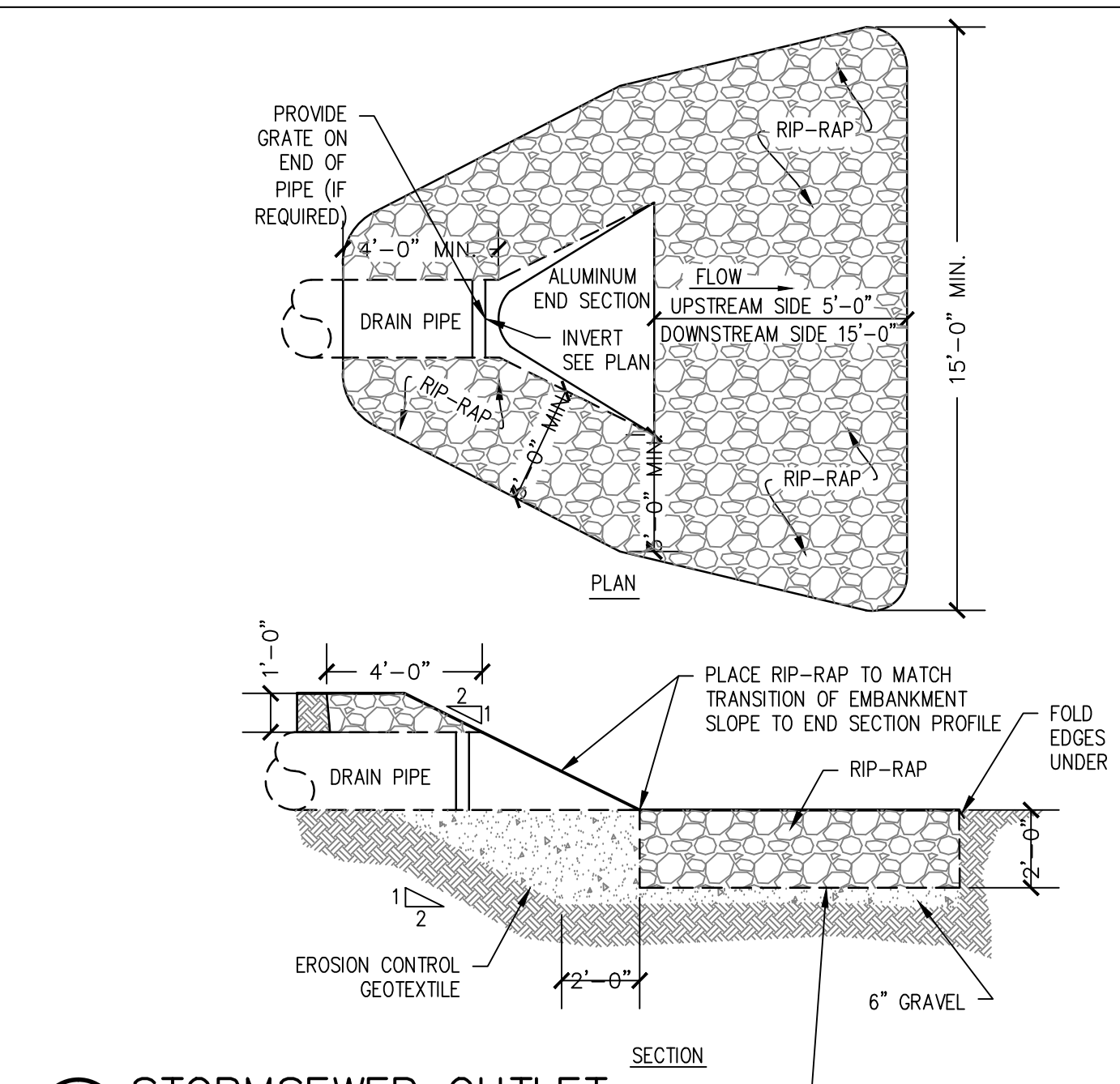
4 UTILITY MAIN BALLAST
 SCALE: N.T.S.



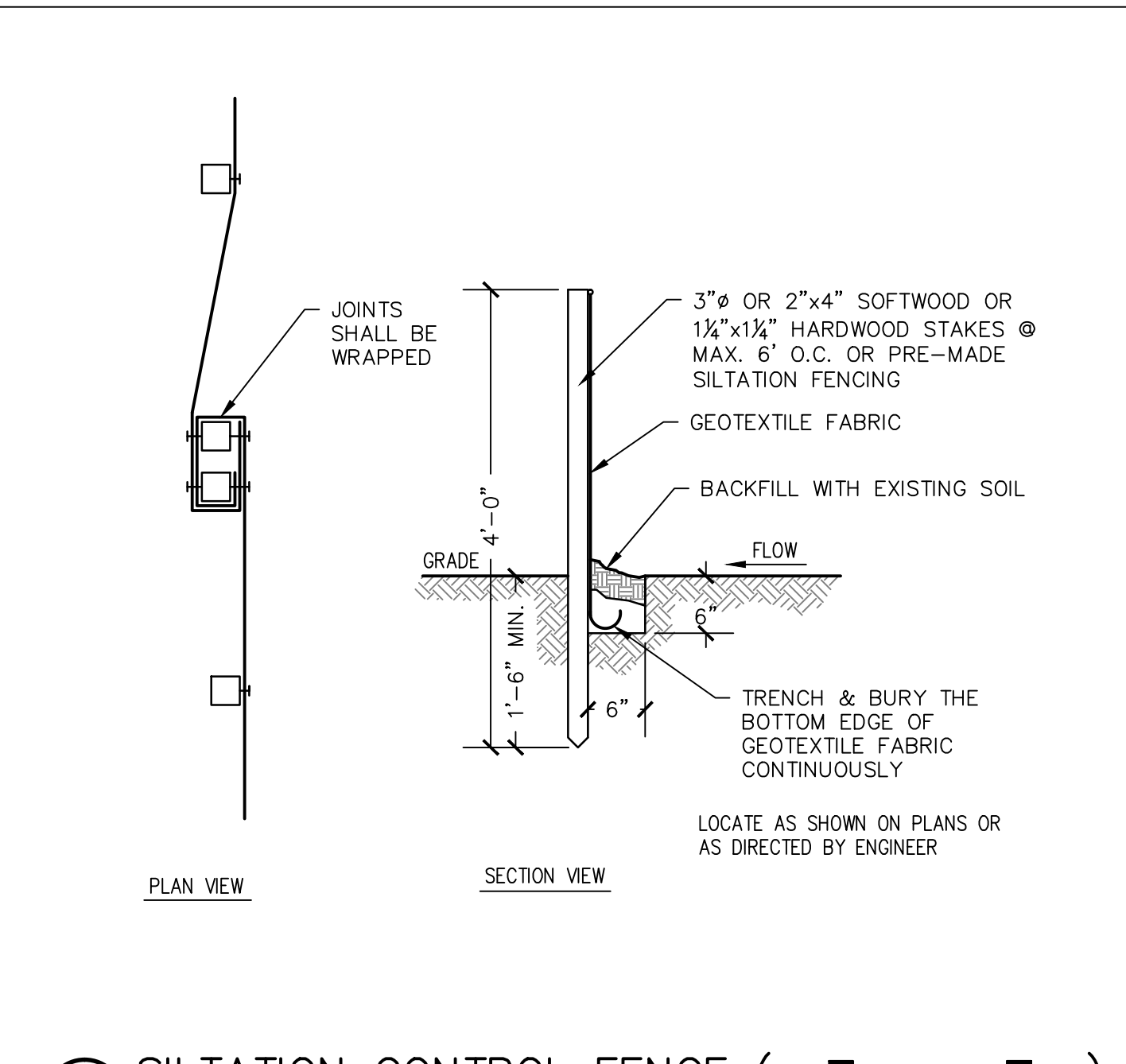
5 CATCH BASIN
 N.T.S.



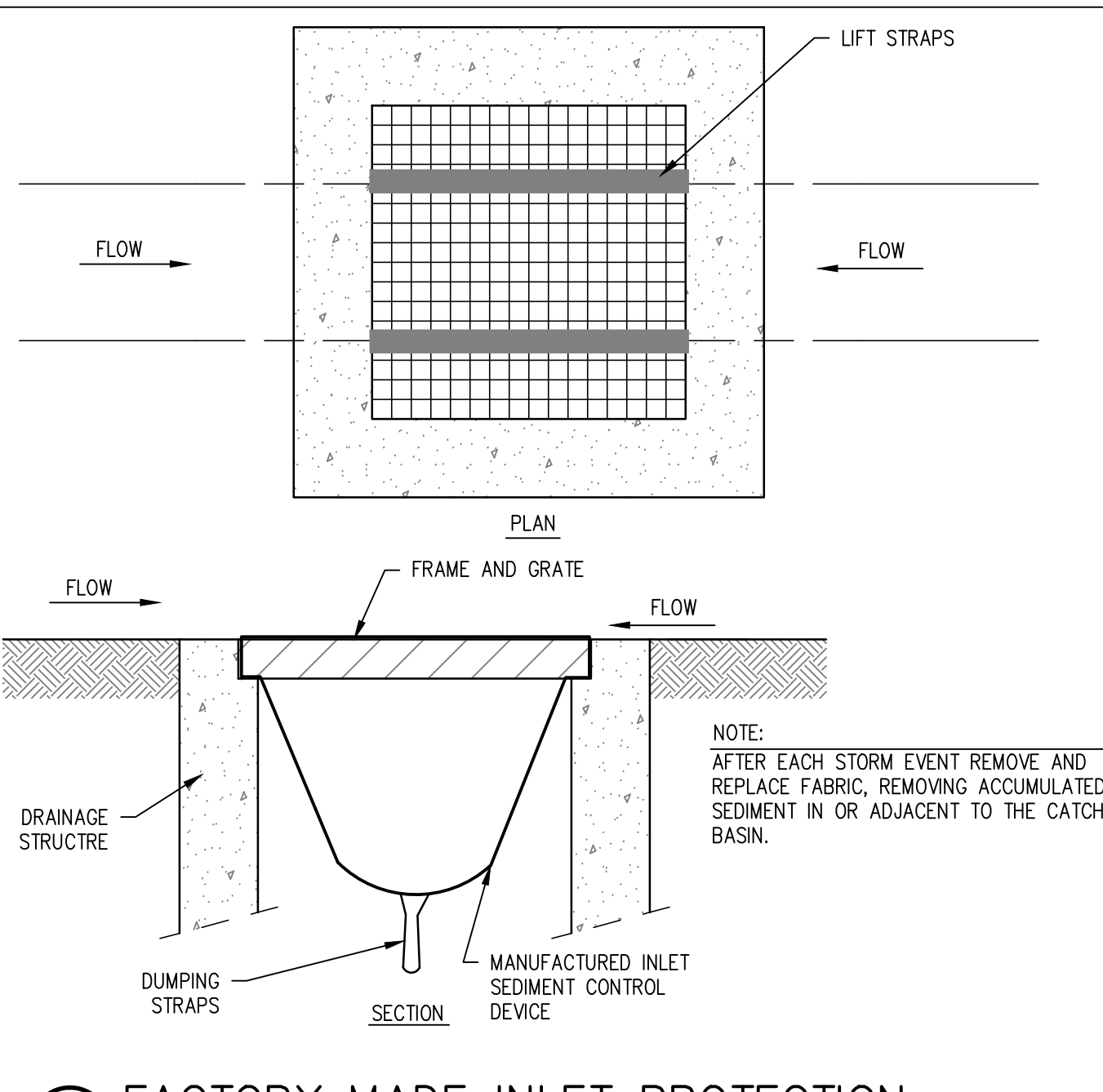
6 SECTION - UTILITY CONFLICT
 SCALE: 1/2" = 1'-0"



7 STORMSEWER OUTLET
 SCALE: 1/4" = 1'-0"



8 SILTATION CONTROL FENCE
 SCALE: 3/4" = 1'-0"



9 FACTORY MADE INLET PROTECTION
 SCALE: 3/4" = 1'-0"

PROJECT TITLE:
 ESSEX COUNTY DEPARTMENT
 OF PUBLIC WORKS
**STORMWATER
 SYSTEM
 RECONSTRUCTION**
 ESSEX COUNTY, NEW YORK

DRAWING TITLE:
DETAILS

REVISIONS	
NO.	DESCRIPTION DATE (MM/DD/YYYY)
1.	ADDENDUM NO. 1 12/16/2014

DRAWN BY: P. DEYO	CHECKED BY: R. DAVIES	DATE: 11/18/2014	PROJECT NO.: 4270
----------------------	--------------------------	---------------------	----------------------

C-501